



# WOLF MOUNTAIN OWNER'S MANUAL & ASSEMBLY INSTRUCTIONS

ITEM: 654718 Little Tikes® • 2180 Barlow Road, Hudson, Ohio 44236 • 1-800-321-0183

**THIS PRODUCT IS INTENDED FOR USE BY CHILDREN FROM AGES 3 TO 10.  
CAPACITY: 10 USERS MAXIMUM - WEIGHT LIMIT: 110 lbs. (50 kg) PER CHILD**



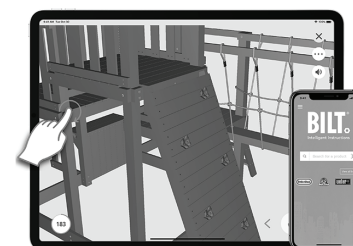
At minimum, two people are required to lift the boxes that contain the parts for this unit and to assemble this unit.



For the latest instruction manual, to register your product, or to order replacement parts, please visit:

[www.littletikes.com](http://www.littletikes.com)

Before you begin



3D-GUIDED INTERACTIVE ASSEMBLY INSTRUCTIONS CAN BE FOUND IN BILT®  
DOWNLOAD THE **FREE** APP



Please keep this manual as it contains important information.



© The Little Tikes Company, an MGA Entertainment company. LITTLE TIKES® is a trademark of Little Tikes in the U.S. and other countries. All logos, names, characters, likenesses, images, slogans, and packaging appearance are the property of Little Tikes.  
Printed in U.S.A. • 0620-0-E

Little Tikes Consumer Service  
2180 Barlow Road  
Hudson, Ohio 44236 U.S.A.  
1-800-321-0183





**READ THIS ENTIRE MANUAL THOROUGHLY BEFORE ASSEMBLY AND USE.**

- To reduce the risk of serious injury or death, you **MUST** read and follow these instructions before assembly and before use. Pay close attention to the important information, warnings and safety information. Keep and refer to these instructions often. Give them to any future owner of this unit.
- The boxes containing the parts for this unit are very heavy. Do not attempt to lift by yourself. To prevent possible injury, at least two people are required to lift these boxes.
- After reviewing the entire manual, decide if you will need professional assistance assembling this unit.
- Before beginning assembly, separate and identify the contents of this unit to ensure you have all parts listed in this manual.
- If you cannot find a part, check the packing materials thoroughly, as loose parts and small pieces may have shifted in transit.
- If any part is missing or damaged, contact Little Tikes Consumer Service: [www.littletikes.com](http://www.littletikes.com) or 1-800-321-0183.

Please retain these instructions for future reference, and take a moment to write down this information for efficient service.

**ITEM NUMBER:** \_\_\_\_\_  
**PURCHASE LOCATION:** \_\_\_\_\_  
**DATE OF PURCHASE:** \_\_\_\_\_  
**INSTALLATION DATE:** \_\_\_\_\_  
**INSTALLED BY:** \_\_\_\_\_

It is recommended you attach your dated sales receipt to this page for future reference.

# IMPORTANT SAFETY INFORMATION

## **⚠ WARNING:**

- **To reduce the risk of serious injury or death, you MUST read and follow these instructions before assembly and before use.**
- CONTINUOUS ADULT SUPERVISION IS REQUIRED.
- This unit is recommended for use by children 3-10 years of age.
- WARNING: ONLY FOR DOMESTIC USE.
- RESIDENTIAL HOME USE ONLY. This unit is not intended for public use. The manufacturer does not warranty this product if it is used for commercial purposes like daycare, schools, churches, nurseries or parks.
- Children must not use this product prior to complete assembly and inspection by a competent adult. The unit must be fully assembled, properly installed and anchored prior to use.

## **SERIOUS HEAD INJURY HAZARD:**

Installation over concrete, asphalt, dirt, grass, carpet and other hard surfaces creates a risk of serious injury or death from falls to the ground. Install and maintain shock absorbing material under and around this unit as recommended in this manual.

## **COLLISION HAZARD:**

Place this unit on level ground at least 6 ft. (2m) from any obstruction such as a garage or house, fences, poles, trees, sidewalks, walls, landscape timbers, rocks, pavement, planters, garden borders, overhanging branches, laundry lines, and electrical wires.

## **CHOKING HAZARD/ SHARP EDGES & POINTS:**

ADULT ASSEMBLY REQUIRED. This product contains small parts and parts with sharp edges and points. Keep parts away from children until fully assembled.

## **STRANGULATION HAZARD:**

- NEVER allow children to play with ropes, clotheslines, pet leashes, cables, chains, cord-like items, or items with a cord or strap when playing on this unit. DO NOT attach these items or similar items to this unit.
- NEVER allow children to wear loose-fitting clothing, such as, but not limited to: ponchos, hoods, scarves, capes, necklaces, items with draw-strings, cords or ties when playing on this unit. Open-toe/open-heel footwear is not permitted. Children should wear well-fitting clothing and closed-toe shoes.
- NEVER allow children to wear bike or sports helmets when playing on this unit. Instruct them to remove these items before playing on this unit.

## **TIP OVER HAZARD:**

Choose a level surface for this equipment. This can reduce the likelihood of the unit tipping over and loose-fill materials from washing away during heavy rains. DO NOT allow children to play on this unit until assembly is complete and the unit is properly anchored.

## **WARNING LABEL:**

Owners are responsible for maintaining legibility of the warning labels. Please remove the protective film on the signage and logo plate before use.

## INSTRUCTIONS FOR SAFE USE

### **⚠ WARNING:**

- User safety is our top concern. Read and understand the following statements and warnings to reduce the likelihood of serious or fatal injury. Review this information with your child and any other users.
1. ON-SITE, CONTINUOUS ADULT SUPERVISION IS REQUIRED FOR CHILDREN OF ALL AGES. Most serious injuries and deaths on playground equipment result when children are playing unsupervised. This product meets all applicable safety standards. Complying with all warnings and important information in this manual will reduce the risk of serious or fatal injury to children playing on this unit. Review all warnings and play information regularly with any child using this unit. Ensure children fully understand and follow these instructions.
  2. This unit is designed for a specific number of users whose combined weight should not exceed the capacity limitations of 110 lbs. per child with a maximum of 10 children.
  3. DO NOT walk close to, in front of, behind, or between moving swings or other moving equipment.
  4. DO NOT stand on swings. Only sitting is permitted.
  5. DO NOT twist the chains and ropes of the swings or loop them over the top support bar, as this may reduce the strength of the chain or rope.
  6. DO NOT get off swings or other playground equipment in motion.
  7. DO NOT push empty swing seats to prevent them from swinging back and causing possible injury.
  8. Children should sit with full weight in the center of the swings to prevent erratic swing motions and falling off the swings.
  9. DO NOT allow children to use the equipment in a manner other than intended.
  10. DO NOT slide head first. Always go down the slide feet first.
  11. Look before sliding to ensure no one is at the bottom of the slide.
  12. Never run up a slide, as this increases the chance of falling.
  13. DO NOT climb or use the unit when it is wet. Wipe dry before use.
  14. DO NOT jump from the deck or any part of the unit. Always use ladders and ramps. Standing on or jumping from elevated surfaces can be dangerous.
  15. DO NOT crawl or climb on the roof.
  16. Verify that any suspended climbing rope, chain, or cable is secured at both ends and that it cannot be looped back on itself and create an entanglement hazard.
  17. MINIMUM CLEARANCE BETWEEN SWINGS AND GROUND: 14 in. (350 mm).
  18. DO NOT attach items to the unit that are not specifically designed for use with the unit, such as, but not limited to: jump ropes, clotheslines, pet leashes, cables and chains, as they may cause a strangulation hazard.
  19. Never add extra length to chain or rope. The chains or ropes provided are the maximum length designed for the swinging elements.
  20. DO NOT wrap legs around the swing chain.
  21. DO NOT slide down the swing chain.
  22. On hot days, check the slide and other plastic components to ensure they are not too hot for use. Cool the hot slide and any plastic rides with water and wipe dry before use.

# IMPORTANT SAFETY INFORMATION

## RECOMMENDED SURFACING

### ⚠️ WARNING:

To reduce the likelihood of serious head injuries, install shock-absorbing protective surfacing under and around this unit. The protective surfacing should be applied to a depth suitable for the unit height in accordance with ASTM F1292. Follow the guidelines below for each type of surfacing:

#### NOTE:

- DO NOT install this unit over concrete, asphalt, packed earth, grass, carpet, or any other hard surface. A fall onto a hard surface can result in serious injury to the user. Grass and dirt are not considered protective surfacing because wear and environmental factors can reduce their shock-absorbing effectiveness. Carpeting and thin mats are not adequate protective surfacing.

- \*Ground level equipment, such as a sandbox, activity wall, playhouse or other equipment that has no elevated play surface, does not need any protective surfacing.

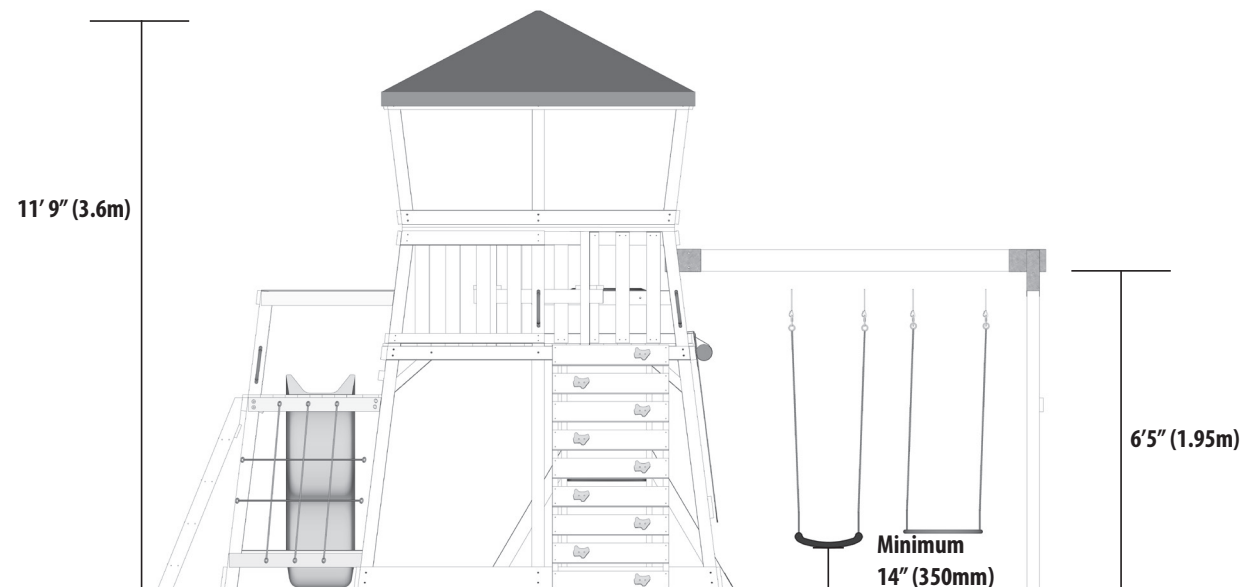
- DO NOT install loose fill surfacing over hard surfaces like concrete or asphalt.
- Shredded bark mulch, wood chips, fine sand and fine gravel are added as shock-absorbing materials after assembly. If used properly, these materials can absorb some of the impact of a child's fall.
- All surface material should extend a minimum of 6 ft. (2m) in all directions around the play area.
- DO NOT apply surfacing materials until after the unit is completely assembled and anchored.

## UNIT POSITIONING

- PLEASE REFER TO CRITICAL FALL HEIGHT INFORMATION.
- This unit should be installed on a level surface by an ADULT with an ADULT ASSISTANT. Place the unit on a flat area to minimize ground preparation.
- Choose a level location for this unit to reduce the likelihood of the play set tipping over and loose-fill surfacing material washing away during heavy rains.
- Place this unit no less than 6 feet (2 meters) from any structure or obstruction, such as a fence, garage, house, overhang, branches, laundry lines, or electrical wires.
- Provide enough room so that children may play on this unit safely. For example, for structures with multiple play activities, a slide should not exit in front of a swing.
- Place this unit where adults are easily able to watch children at play.

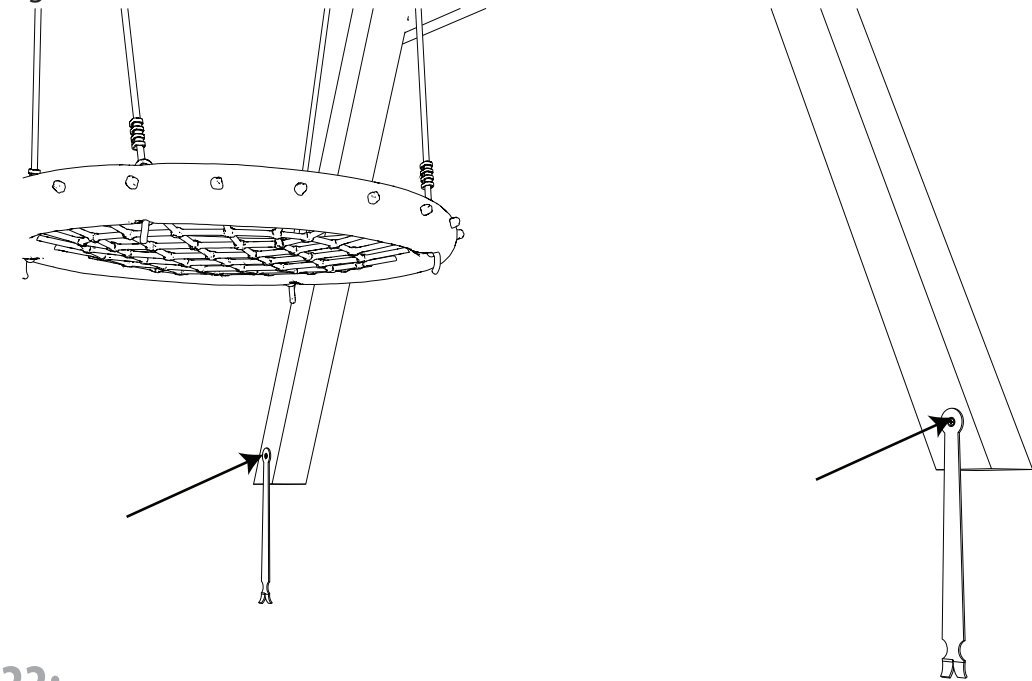
- Create a play area free of obstacles that could cause injuries - such as low-hanging tree branches, overhead wires, tree stumps or roots, large rocks, bricks, and concrete.
- Do not build this unit on top of surfacing material.
- Locate bare metal platforms and slides out of direct sunlight to reduce the likelihood of serious burns.
  - TIP:** A slide that faces north will receive the least direct sunlight.
- Separate active and quiet activities from each other. For example, place sandboxes away from swings, or use a separation guardrail or barrier.
- For to-fro swings, extend protective surfacing in front of and behind the swing to a distance equal to twice the height of the top of the bar from which the swing is suspended.

## VERTICAL HEIGHT



## Step 221:

Hammer (1) Ground Stake into the ground next to each Beam Support Brace (C20). Secure the Ground Stakes using (2) Screws (SW50).

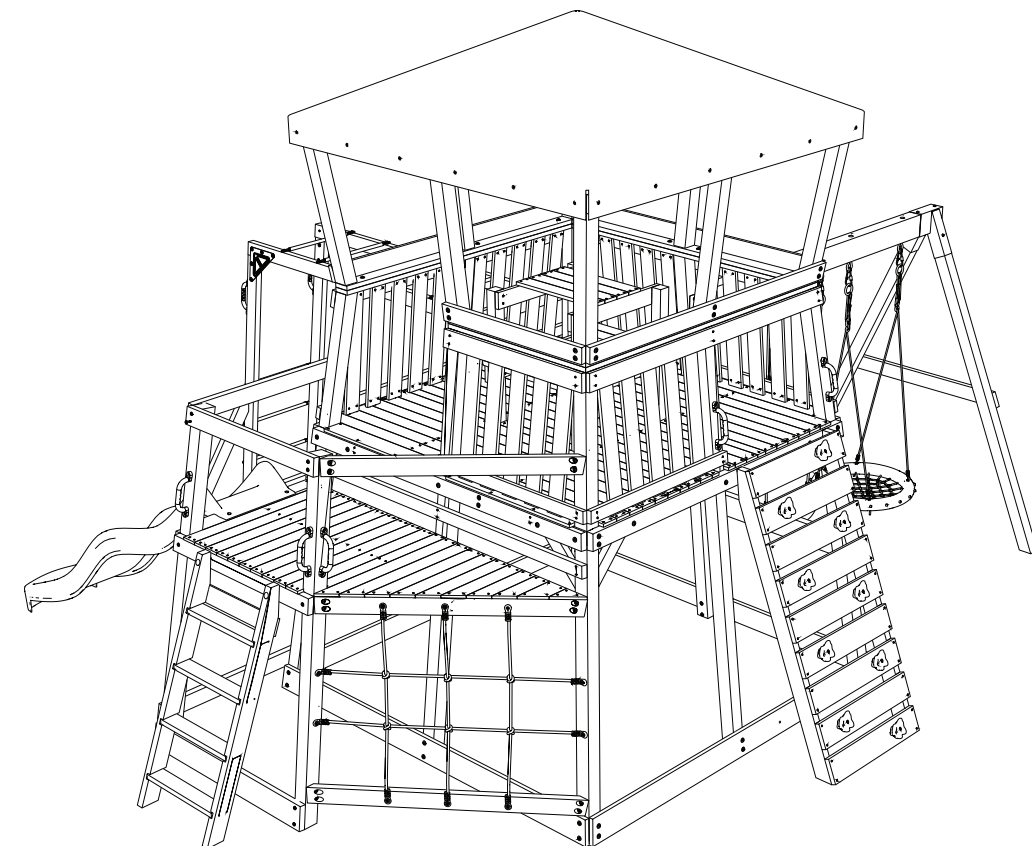


## Step 222:

One week later check the Rope length on the Swings to make sure they are 14in (350mm) above the ground. Make any necessary adjustments. Also, tighten all the hardware.

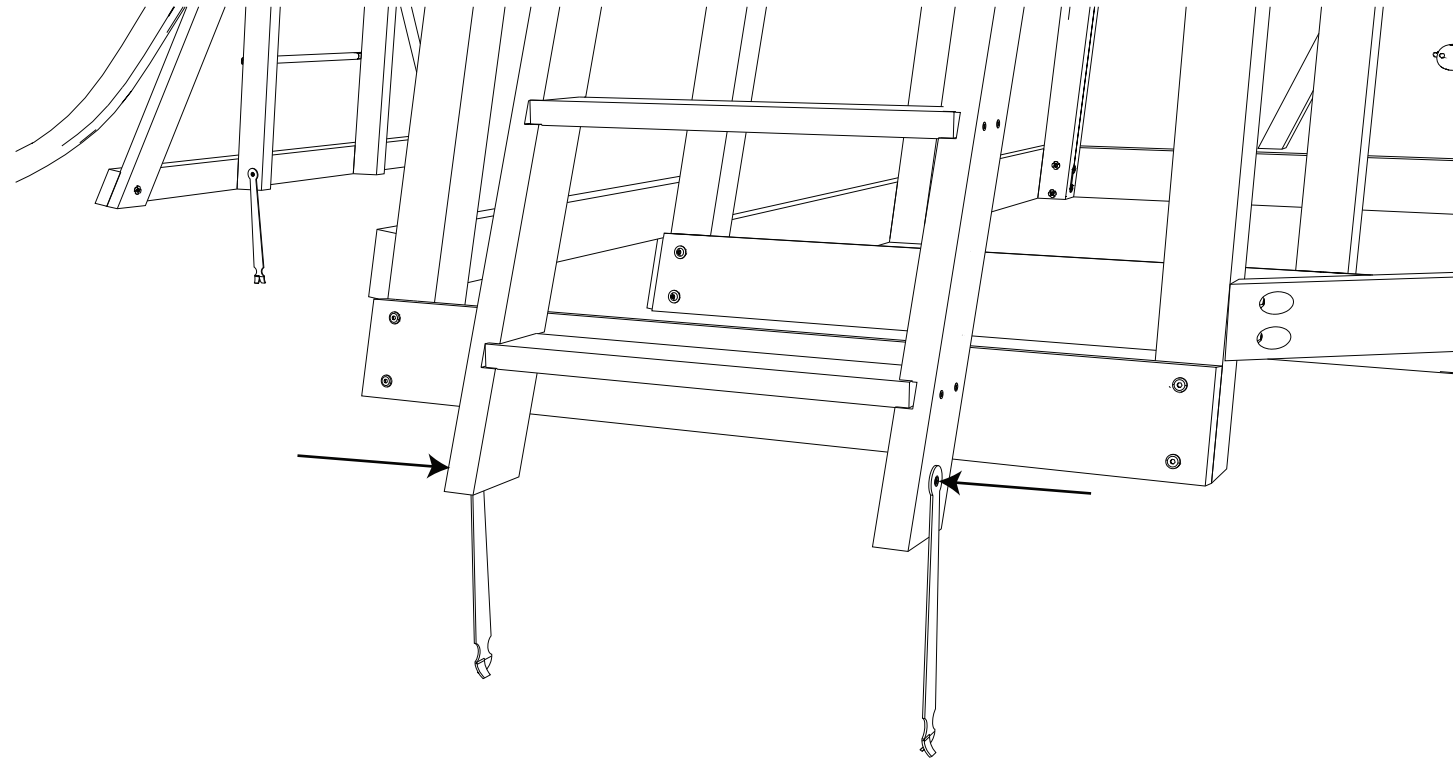
## Step 223:

Congratulations, this completes the assembly of the Wolf Mountain.



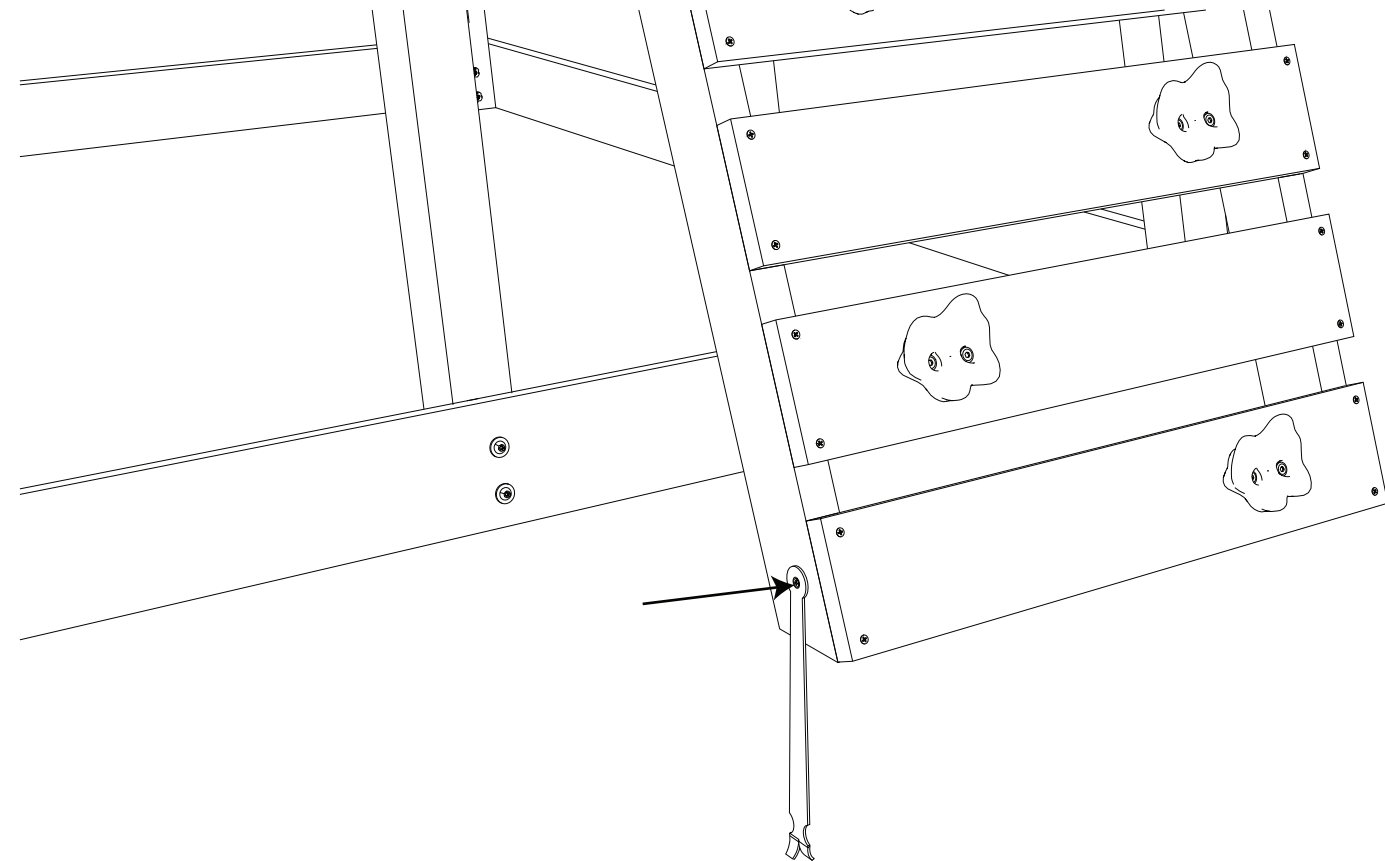
### Step 219:

Hammer (1) Ground Stake into the ground next to the Left and Right Ladder Uprights (K20A) and (K21A). Secure each Ground Stake using (1) Screw (SW50).



### Step 220:

Hammer (1) Ground Stake into the ground next to the Climbing Wall Frame (K19). Secure the Ground Stake using (1) Screw (SW50).



## IMPORTANT SAFETY INFORMATION

### CRITICAL FALL HEIGHT

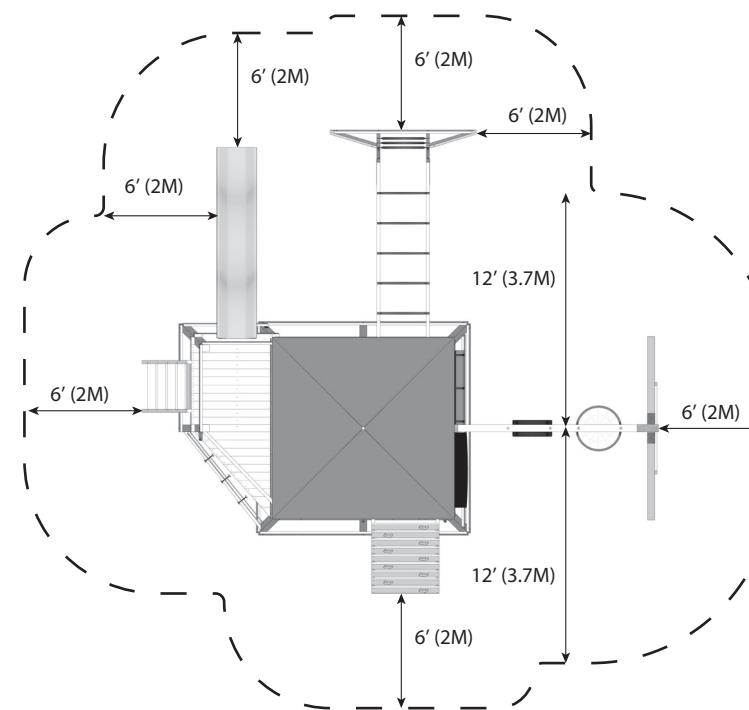
**Maximum critical fall height is 6 feet (2m).** The obstacle-free safety zone which requires safety surfacing is a perimeter that extends 6 feet (2 meters) out from the unit and at least 12 feet (3.7 meters) in front and back of to-fro swings.

Material	Uncompressed Depth			Compressed Depth
	6" (152mm)	9" (228mm)	12" (304mm)	
Wood Chips	7' (2.13m)	10' (3.05m)	11' (3.35m)	10' (3.05m)
Double-Shredded Bark Mulch	6' (2m)	10' (3.05m)	11' (3.35m)	7' (2.13m)
Engineered Wood Fibers (EWF)	6' (2m)	7' (2.13m)	> 12' (3.66m)	6' (2m)
Fine Sand	5' (1.52m)	5' (1.52m)	9' (2.74m)	5' (1.52m)
Coarse Sand	5' (1.52m)	5' (1.52m)	6' (2m)	4' (1.22m)
Fine Gravel	5' (1.52m)	7' (2.13m)	10' (3.05m)	6' (2m)
Medium Gravel	5' (1.52m)	5' (1.52m)	6' (2m)	5' (1.52m)
Shredded Tires*	10-12' (3.0-3.6m)	N/A	N/A	N/A

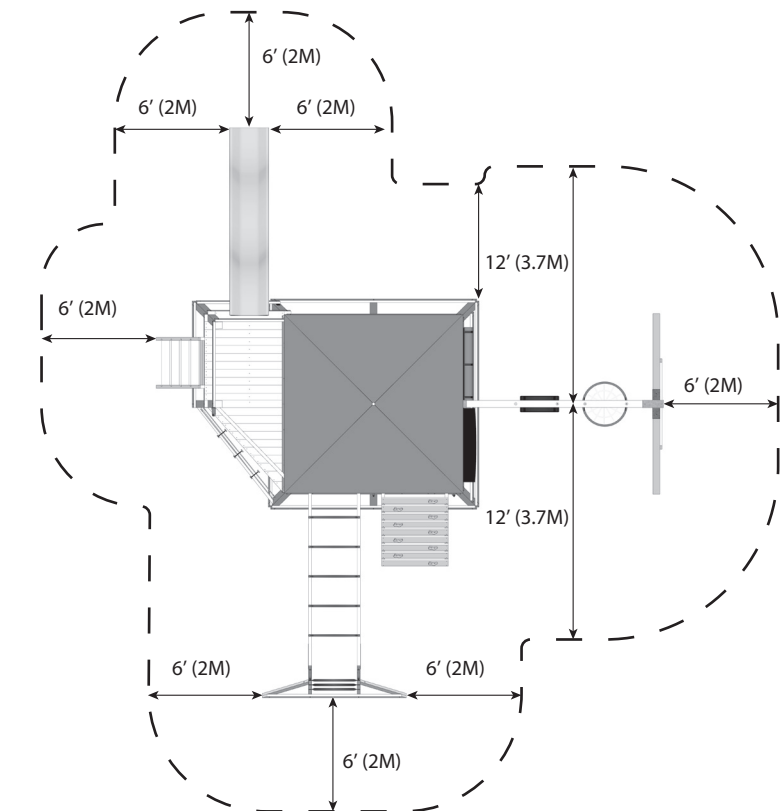
\* This data is from tests conducted by independent testing laboratories on a 6-inch depth of uncompressed shredded tire samples produced by four manufacturers. The tests reported critical heights, which varied from 10 feet to greater than 12 feet. It is recommended that persons seeking to install shredded tires as a protective surface request test data from the supplier showing the critical height of the material when it was tested in accordance with ASTM F1292.

### SAFETY SURFACING REQUIREMENTS

CONFIGURATION A



CONFIGURATION B



# INFORMATION ON PLAYGROUND SURFACING MATERIALS

The following information is from the United States Consumer Product Safety Commission's Information Sheet for playground surfacing material. Additional information can be found here: <https://www.cpsc.gov/s3fs-public/324.pdf>

## SECTION 4 OF THE CONSUMER PRODUCT SAFETY COMMISSION'S OUTDOOR HOME PLAYGROUND SAFETY HANDBOOK<sup>9</sup>

### Select Protective Surfacing

One of the most important things you can do to reduce the likelihood of serious head injuries is to install shock-absorbing protective surfacing under and around your play equipment. The protective surfacing should be applied to a depth that is suitable for the equipment height in accordance with ASTM F 1292. There are different types of surfacing to choose from; whichever product you select, follow these guidelines:

**NOTE:** Do not install home playground equipment over concrete, asphalt, or any other hard surface. A fall onto a hard surface can result in serious injury to the equipment user. Grass and dirt are not considered protective surfacing because wear and environmental factors can reduce their shock absorbing effectiveness. Carpeting and thin mats are generally not adequate protective surfacing. Ground level equipment such as a sandbox, activity wall, playhouse or other equipment that has no elevated play surface – does not need any protective surfacing.

### Loose-Fill Materials:

- Maintain a minimum depth of 9 inches of loose-fill materials such as wood mulch/chips, engineered wood fiber (EWF), or shredded/recycled rubber mulch for equipment up to 8 feet high; and 9 inches of sand or pea gravel for equipment up to 5 feet high.
- NOTE:** An initial fill level of 12 inches will compress to about a 9-inch depth of surfacing overtime. The surfacing will also compact, displace, and settle, and should be periodically refilled to maintain at least a 9-inch depth.
- Use a minimum of 6 inches of protective surfacing for play equipment less than 4 feet in height. If maintained properly, this should be adequate. (At depths less than 6 inches, the protective material is too easily displaced or compacted.)
- Use containment, such as digging out around the perimeter and/or lining the perimeter with landscape edging. Don't forget to account for water drainage.
- Check and maintain the depth of the loose-fill surfacing material. To maintain the right amount of loose-fill materials, mark the correct level on play equipment support posts. That way you can easily see when to replenish and/or redistribute the surfacing.
- **Do not** install loose-fill surfacing over hard surfaces such as concrete or asphalt.

### Poured-In-Place Surfaces or Pre-Manufactured Rubber Tiles

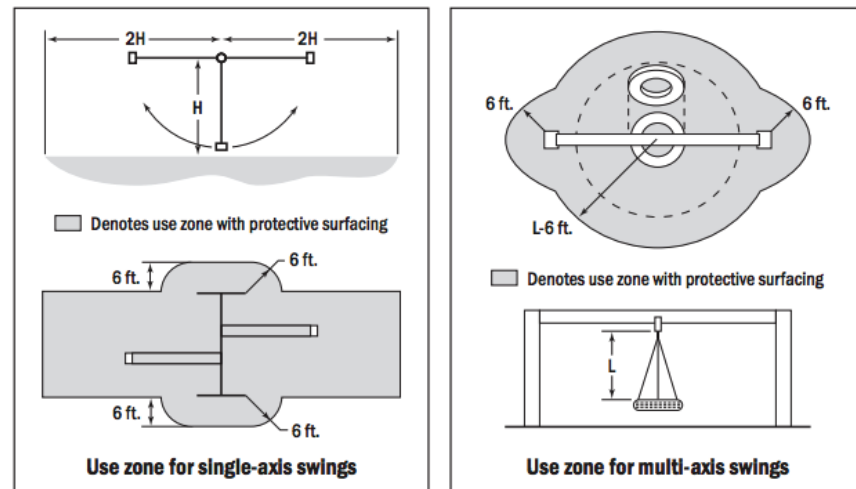
You may be interested in using surfacing other than loose-fill materials – like rubber tiles or poured-in-place surfaces.

- Installations of these surfaces generally require a professional and are not “do-it-yourself” projects.
- Review surface specification before purchasing this type of surfacing. Ask the installer/manufacturer for a report showing that the product has been tested to the following safety standard: ASTM F 1292 *Standard Specification for Impact Attenuation of Surfacing Materials within the Use Zone of Playground Equipment*. This report should show the specific height for which the surface is intended to protect against serious head injury. This height should be equal to or greater than the *fall height* – vertical distance between a designated play surface (*elevated surface for standing, sitting, or climbing*) and the protective surfacing below – of your play equipment.
- Check the protective surfacing frequently for wear.

### Placement:

Proper placement and maintenance of protective surfacing is essential. Be sure to:

- Extend surfacing at least 6 feet from the equipment in all directions.
- For to-fro swings, extend protective surfacing in front of and behind the swing to a distance equal to twice the height of the top bar from which the swing is suspended.
- For tire swings, extend surfacing in a circle whose radius is equal to the height of the suspending chain or rope, plus 6 feet in all directions.



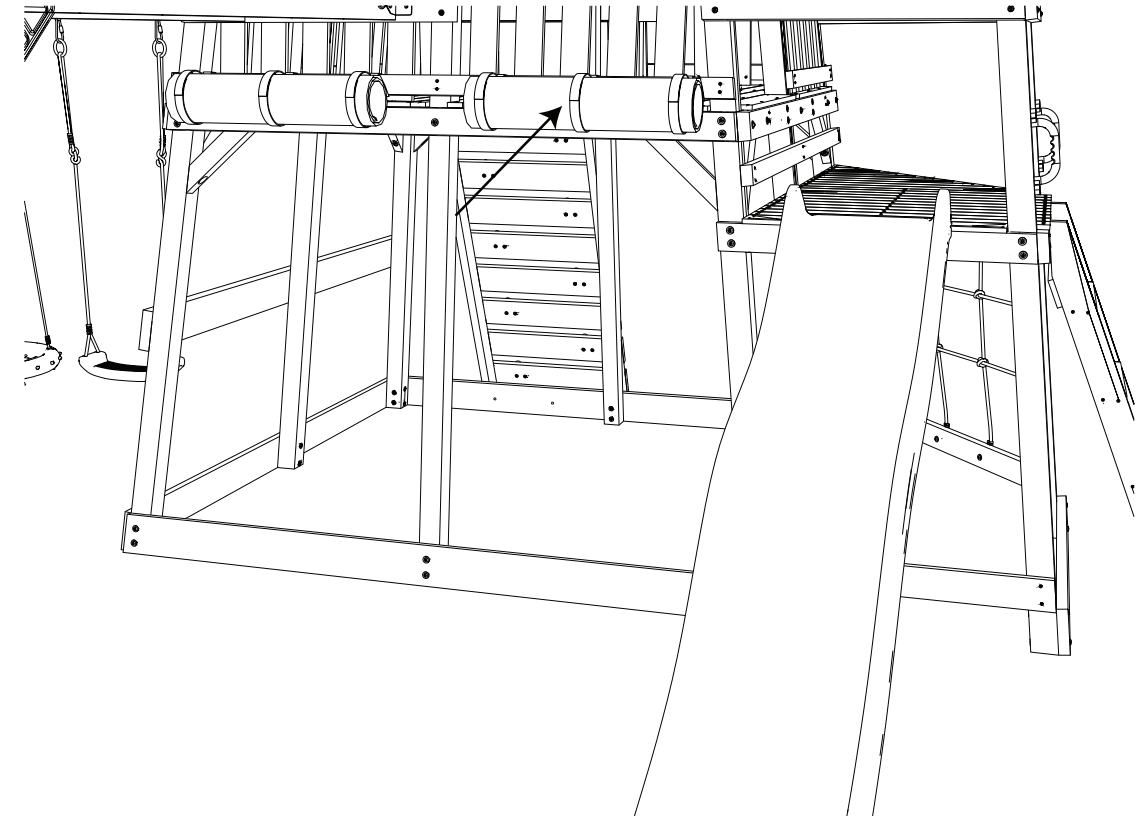
<sup>9</sup>This information has been extracted from the CPSC publications “Playground Surfacing — Technical Information Guide” and “Handbook for Public Playground Safety.” Copies of these reports can be obtained by sending a postcard to the: Office of Public Affairs, U.S. Consumer Product Safety Commission, Washington, D.C., 20207 or call the toll-free hotline: 1-800-638-2772.

The American Society for Testing and Materials takes no position respecting the validity of any patent right asserted in connection with any item mentioned in this standard. Users of this standard are expressly advised that determination of the validity of any such patent rights, are entirely their own responsibility.

The standard is subject to revision at any time by the responsible technical committee and must be reviewed every five years and if not revised, either approved or withdrawn. Your comments are invited either for revision of this standard or for additional standards and should be addressed to ASTM Headquarters. Your comments will receive careful consideration at a meeting of the responsible technical committee, which you may attend. If you feel that your comments have not received a fair hearing you should make your views known to the ASTM Committee on Standards, 100 Barr Harbor Drive, West Conshohocken, PA 19428.

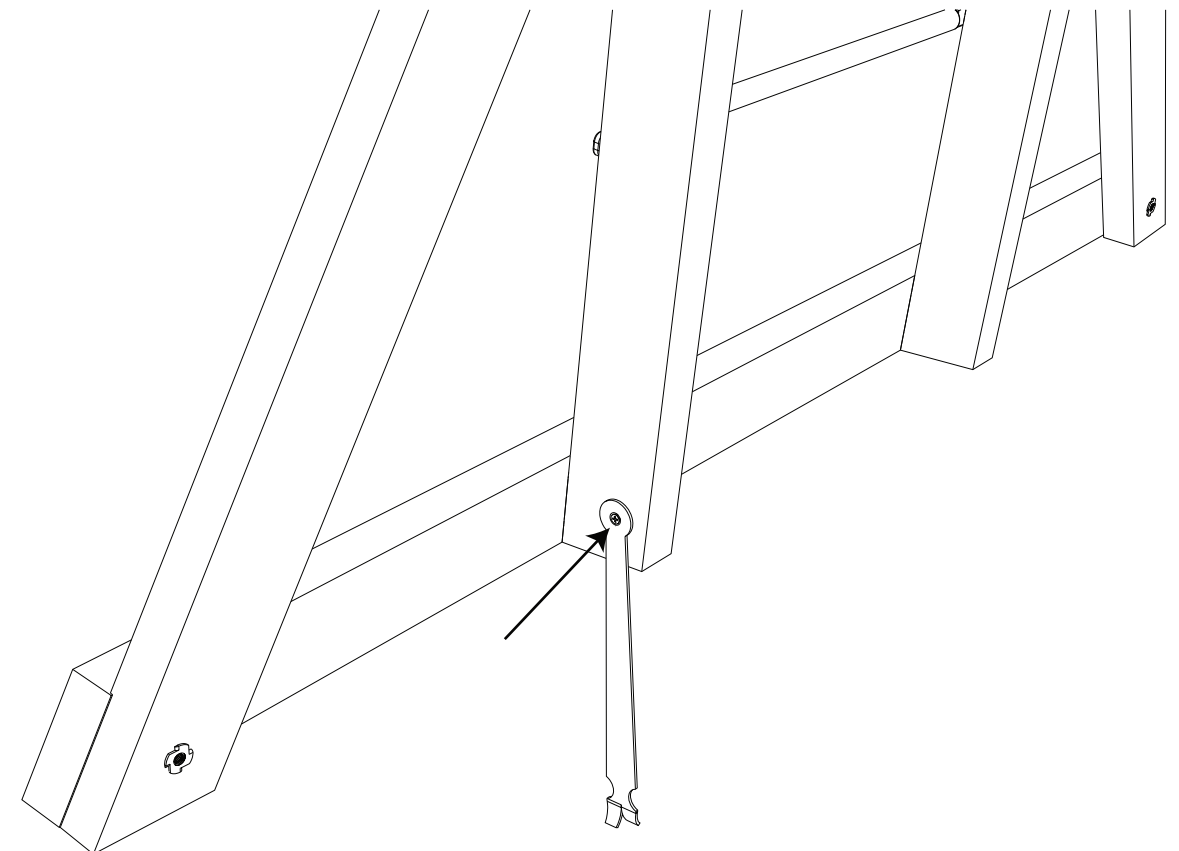
## Step 217:

Place a second Sun Shade on either Wall Rail.



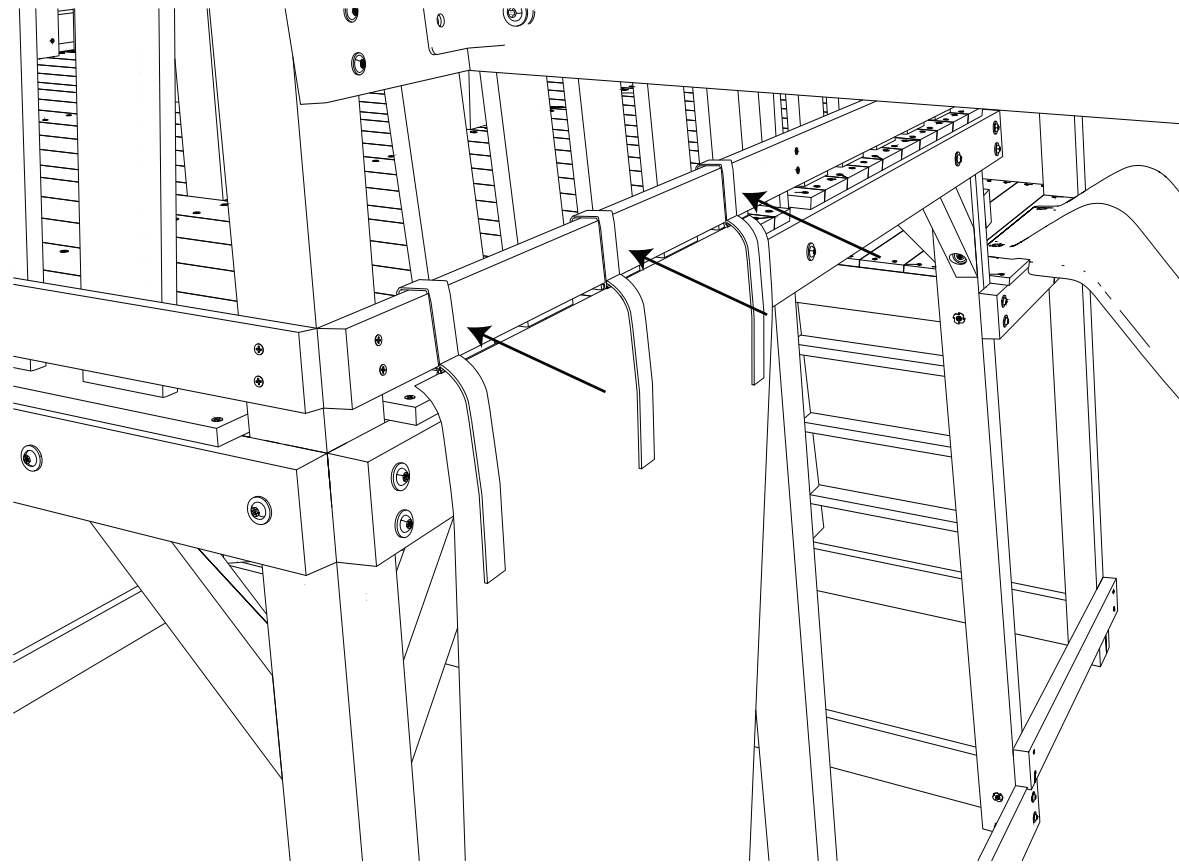
## Step 218:

Hammer (1) Ground Stake into the ground next to the Monkey Bar Leg (K18). Secure the Ground Stake using (1) Screw (SW50).



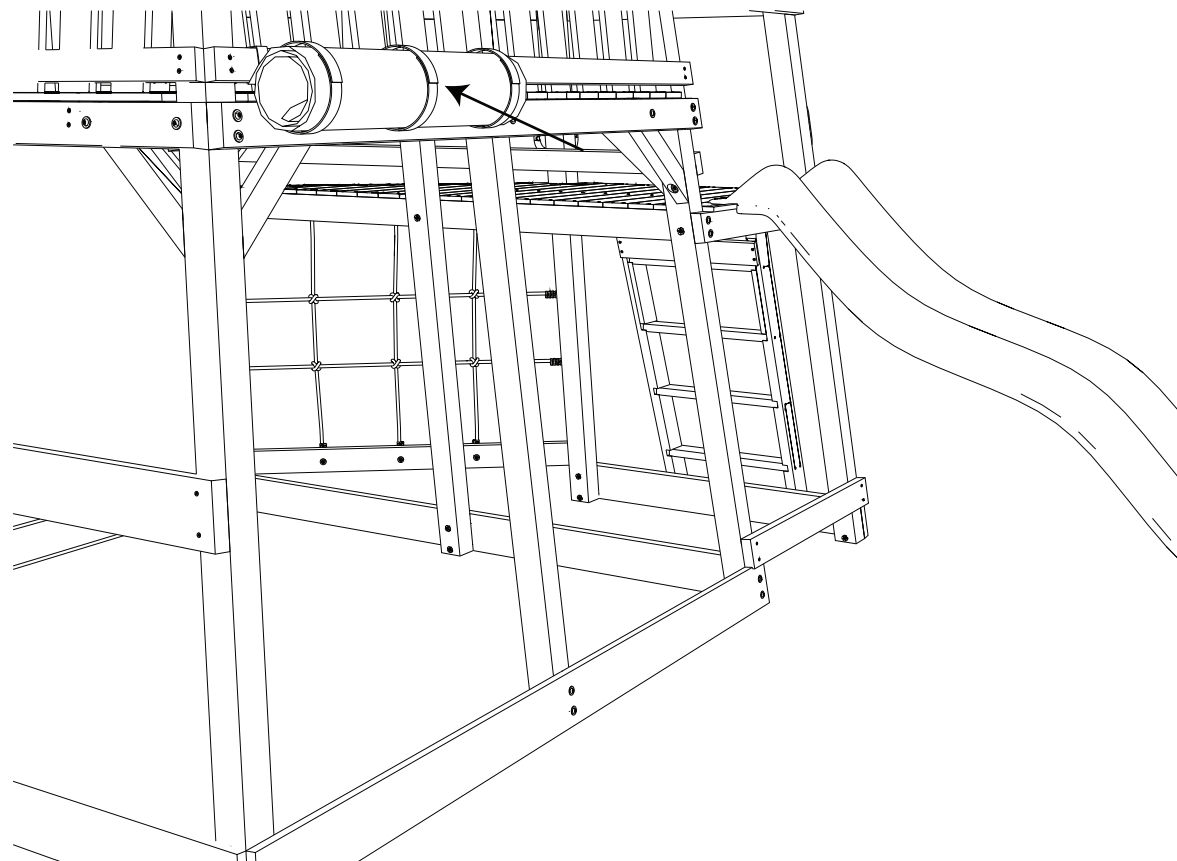
## Step 215:

Wrap the Sun Shade Straps around the Wall Rail (FA15) to secure the Sun Shade.



## Step 216:

To stow the Sun Shade, roll and secure with the Straps.



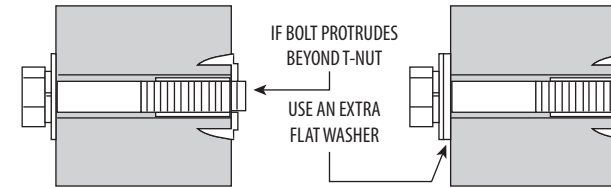
# IMPORTANT SAFETY INFORMATION

ONLY REPLACE DAMAGED OR DEFECTIVE PRODUCT PARTS ACCORDING TO THE MANUFACTURER'S INSTRUCTIONS.

## MAINTENANCE

### At the beginning of each play season:

- Tighten all hardware, but do not over-tighten to prevent splintering.
- Lubricate all metallic moving parts per manufacturer's instructions.
- Check that swing hanger bolts are secure and tight. Quick clips should be completely closed and threaded clips screwed tight. Ropes should be secure at both ends so they cannot loop back and create an entrapment.
- Check all protective coverings on bolts, pipes, edges and corners. Replace if they are loose, cracked or missing.
- Check for sharp edges or protruding screw threads. Add washers if required.



- Check ground stakes for looseness, damage or deterioration. Firmly anchor unit to the ground during use. Re-secure or replace if necessary.
- Check all moving parts including swing seats, ropes, cables, and chains for wear, rust or other deterioration. Replace as needed.
- Check metal parts for rust. If found, sand and repaint using a non-lead based paint which complies with 16 CFR 1303.
- Check all wood pieces for deterioration and splinters. Sand down splinters and replace deteriorating wood.
- Reinstall any plastic parts, such as swing seats or any other items that were removed for the cold season.
- Rake and check depth of loose fill protective surfacing materials to prevent compaction and to maintain appropriate depth. Replace as necessary.

### At the end of each play season:

\* Or when the temperature falls below 32° F

- Remove plastic swing seats and other items as specified by the manufacturer and take indoors. Plastic components may become more brittle in cold conditions.
- Rake and check depth of loose fill protective surfacing materials to prevent compaction and to maintain appropriate depth. Replace as necessary.

**Owners MUST maintain the legibility of the warning labels.**

## THIRD PARTY ASSEMBLY

Should you elect to use a third party person or service to assemble this product, the manufacturer assumes no responsibility or liability for any charge incurred for any assembly services. Please see our warranty for more information about damaged and missing part replacement coverage. Little Tikes will not reimburse the customer for the price of parts purchased.

## WOOD WEATHERING

Although the manufacturer has taken great care in selecting premium lumber, wood is a product of nature and is susceptible to weathering. As the climate changes, moisture moves in and out of the wood, causing tension which can result in checking and warping.

- Checking: Surface cracks in the wood along the grain.
- Warping: Distortion from the original plane of the board. This usually happens from wetting and drying of the wood.
- Fading: A natural change in the wood color as it is exposed to sunlight. Wood may turn gray over time.

The factory-applied coating will decrease over time due to water absorption and sunlight. Apply a water repellent or stain on a yearly basis. Most weathering is a normal result of nature and will not affect safe and enjoyable play on this unit. If you have any concerns about weathering, contact consumer service.

### Twice a month during play season:

- Tighten all hardware, but do not over-tighten to prevent splintering.
- Check all protective coverings on bolts, pipes, edges and corners. Replace if they are loose, cracked or missing.
- Check for sharp edges or protruding screw threads. Add washers if required.
- Rake and check depth of loose fill protective surfacing materials to prevent compaction and to maintain appropriate depth. Replace as necessary.
- Check all moving parts including swing seats, ropes, cables, and chains for wear, rust or other deterioration. Replace as needed.
- Lubricate all metallic moving parts per manufacturer's instructions.

### Additional Maintenance:

- Check the swing beam and hardware every two weeks due to wood expansion and contraction. It is particularly important that this procedure be followed at the beginning of each season.
- Inspect wood parts monthly. The grain of the wood sometimes will lift in the dry season causing splinters to appear. Light sanding may be necessary to maintain a safe play environment. Treat your unit with stain regularly to help prevent severe splitting and other damage.
- A waterborne transparent stain has been applied to your unit. This is done for color only. Once or twice a year, depending on your climate conditions, you must apply some protection (sealant) on your unit. Prior to the application of the sealant, lightly sand any rough spots on your unit. **Please note this is a requirement of your warranty.**
- Assembling and maintaining the unit on a level surface is very important. As your children play, your unit will slowly dig its way into the soil, and it is very important that it settles evenly. Make sure the unit is level once each year or at the beginning of each play season.

## DISPOSAL



Once you no longer desire to play with or keep the unit, it should be disassembled and disposed of in such a way that no unreasonable hazards exist at the time the unit is discarded. Follow local waste ordinances.

# LIMITED WARRANTY

The Little Tikes Company makes fun, high quality toys. We warrant to the original purchaser that this product is free of defects in materials or workmanship for one year from the date of purchase (dated sales receipt is required for proof of purchase). In addition, all wood carries a pro-rated 5 year warranty against rot and decay. Please contact consumer service for any charges associated with replacement parts under this warranty. All other parts, such as hardware, swings, rides, accessories, and slides carry a one year warranty. The Little Tikes Company will replace any parts within the first 90 days from the date of purchase if they are found to be missing from the original packaging or damaged upon receipt.

This warranty applies to the original owner and registrant and is non-transferable. Regular maintenance is required to assure maximum life and performance of this product, and failure by the owner to maintain the product according to the maintenance requirements may void this warranty. Maintenance guidelines are provided in this manual.

### This limited warranty does not cover:

- Labor for any inspection
- Labor for replacement of any defective item(s)
- Incidental or consequential damage
- Cosmetic defects which do not affect performance or integrity of a part or the entire product
- Vandalism, improper use, failure due to loading or use beyond the capacities stated in this manual
- Acts of nature including but not limited to wind, storms, hail, floods or excessive water exposure
- Improper installation including but not limited to installation on uneven, unlevel or soft ground
- Minor twisting, warping, checking or any other natural occurring properties of wood that do not affect performance or integrity

This warranty is valid only if the product has been assembled and maintained per the instructions. Any modifications made to the original product could damage the structural integrity of the unit, leading to failure and possible injury. Making modifications to this unit voids the warranty. The Little Tikes Company disclaims all other representations and warranties of any kind, express or implied.

**RESIDENTIAL HOME USE ONLY.** This unit is not intended for public use. The manufacturer does not warranty this product if it is used for commercial purposes like daycare, schools, churches, nurseries or parks.

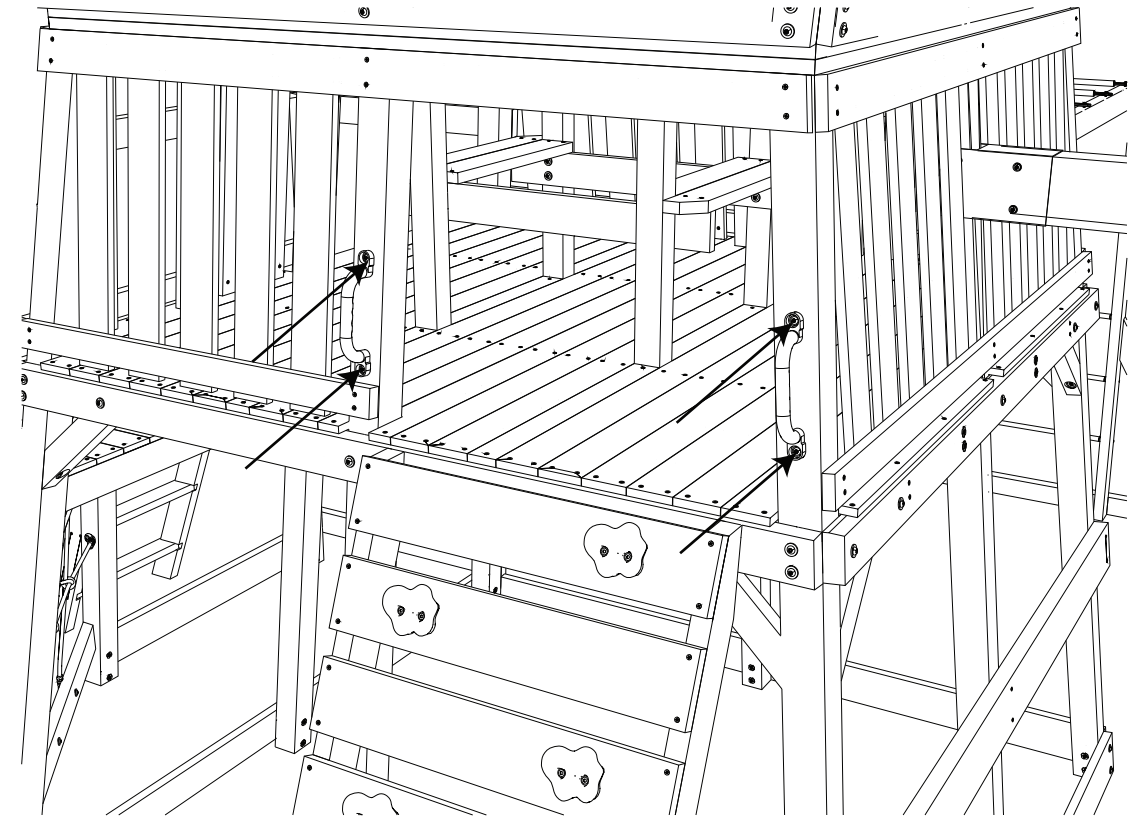
**U.S.A and Canada:** For warranty service or replacement part information, please visit our website at [www.littletikes.com](http://www.littletikes.com), call 1-800-321-0183 or write to: Consumer Service, The Little Tikes Company, 2180 Barlow Road, Hudson OH 44236, U.S.A. Some replacement parts may be available for purchase after warranty expires—contact us for details.

**Outside U.S.A and Canada:** Contact place of purchase for warranty service.

This warranty gives you specific legal rights, and you may also have other rights, which vary from country/state to country/state. Some countries/states do not allow the exclusion or limitation of incidental or consequential damages, so the above limitation or exclusion may not apply to you.

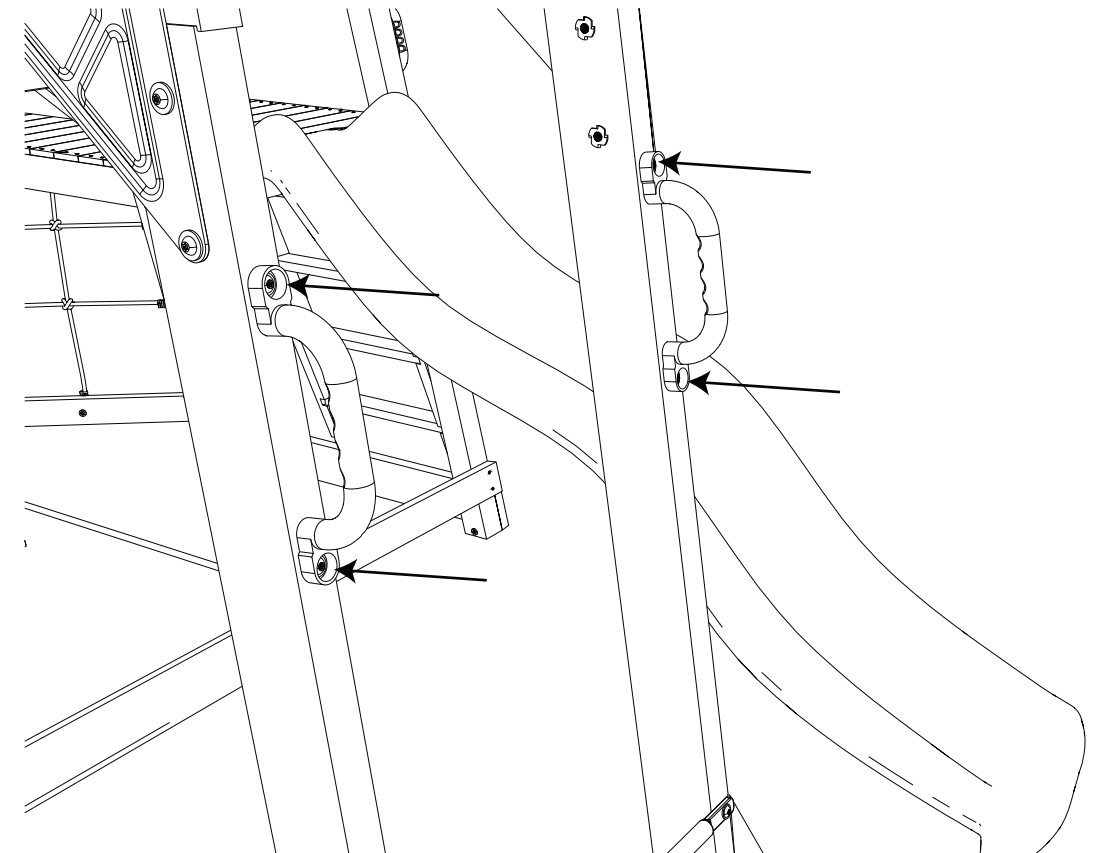
## Step 213:

If using the other Monkey Bar placement option, attach (2) Handles to Tower Legs (C04A) and (C02A) using (4) Screws (M6SW35).



## Step 214:

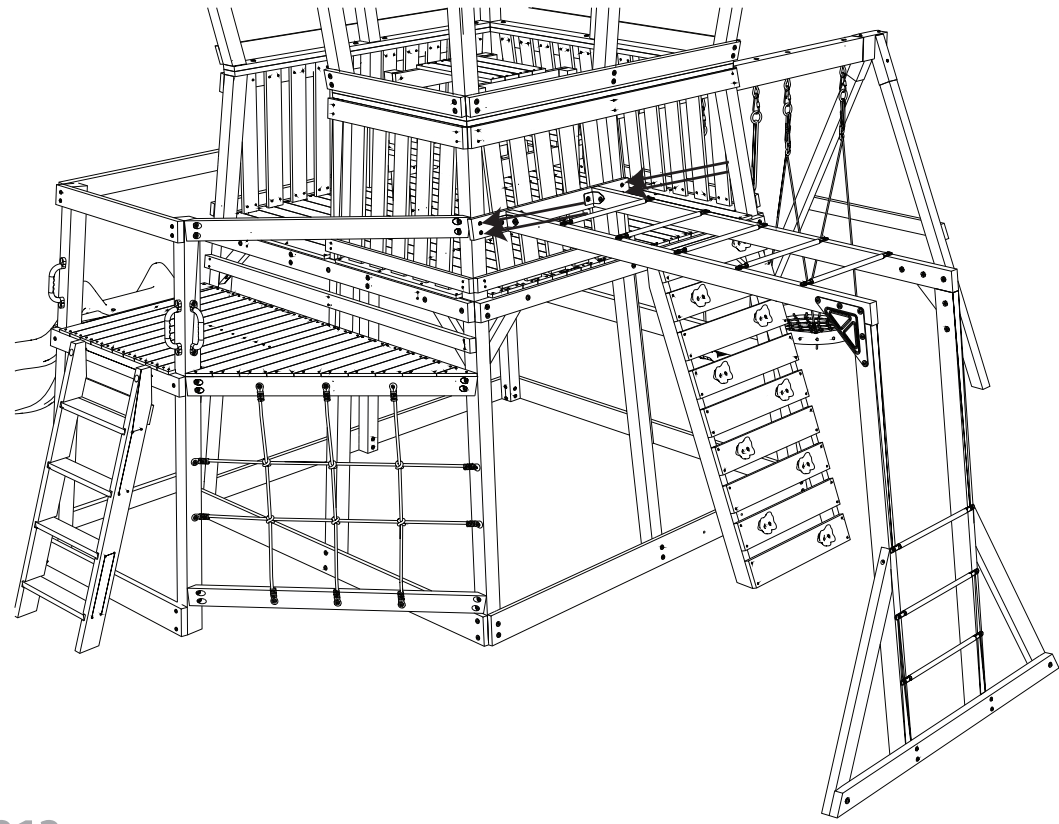
Attach (2) Handles to the Monkey Bar Legs using (4) Screws (M6SW35).





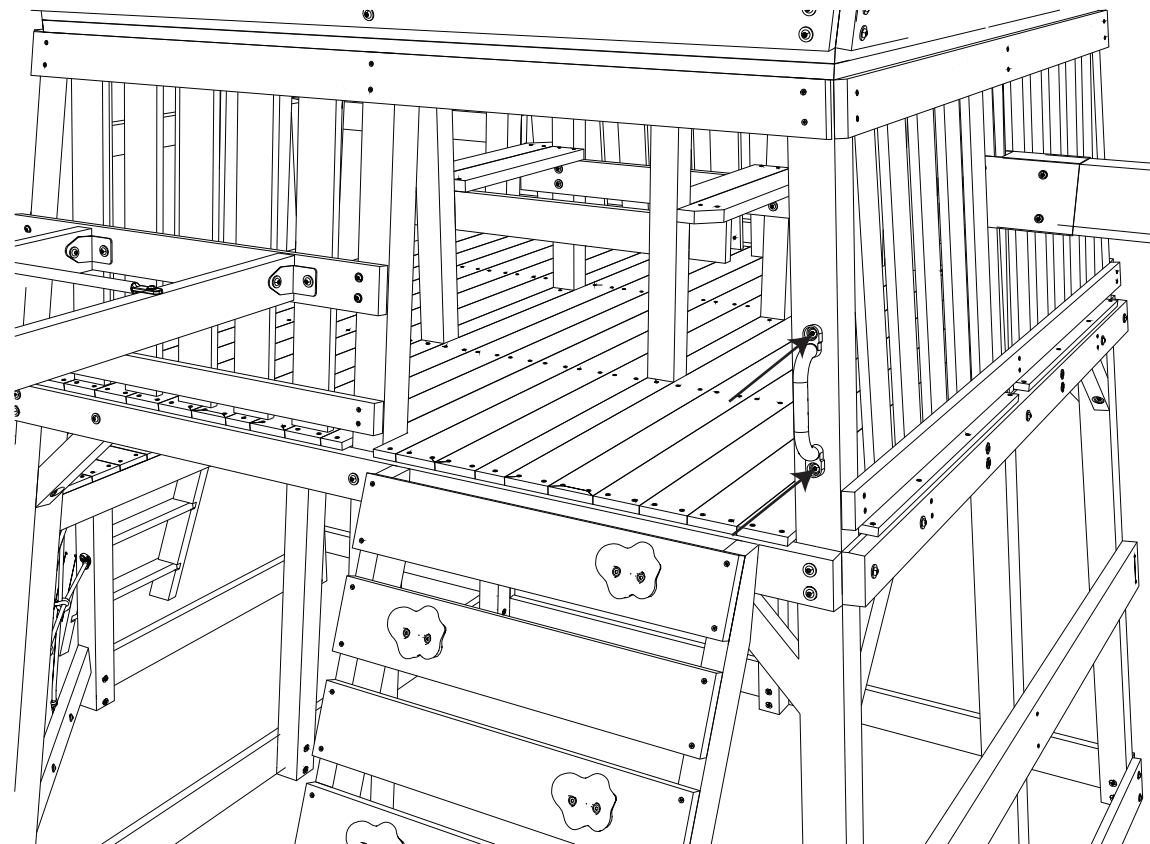
## Step 211:

Alternative placement option for the Monkey Bars. Using a Level, attach the Monkey Bar Support to Tower Legs (C01A) and (C04A) using (4) Screws (M6SW55).



## Step 212:

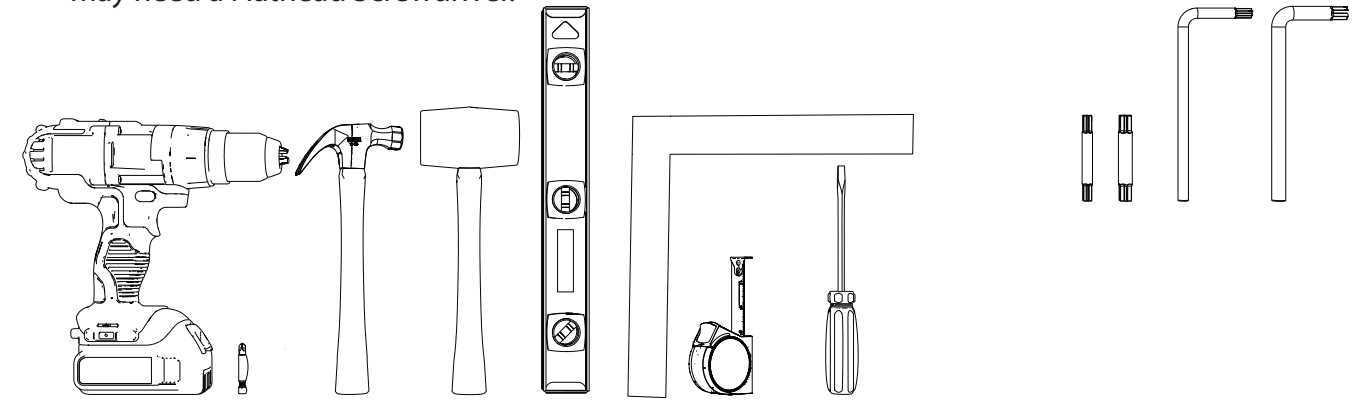
When using this placement for the Monkey Bars, attach (1) Handle to Tower Leg (C02A) using (2) Screws (M6SW35).



## TOOLS

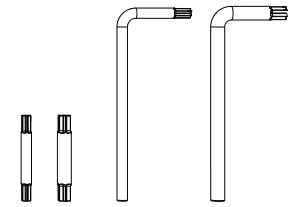
### TOOLS YOU WILL NEED (NOT INCLUDED)

To complete this procedure, you will need a Power Drill, a Phillips Head Bit, a Hammer, a Rubber Mallet, a Level, a Square, a Tape Measure and a Ladder (not pictured). Optionally, you may need a Flathead Screwdriver.



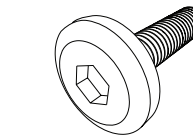
### INCLUDED TOOLS

6mm Star Bit, 8mm Star Bit, 6mm Allen Wrench, 8mm Allen Wrench

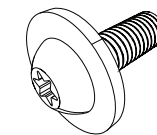


## HARDWARE

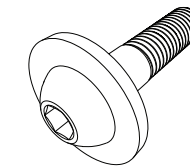
Hardware listed is the quantity needed to build the unit. Extra hardware is included.



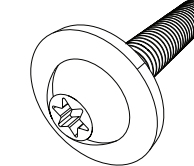
(18) Bolt (M625)



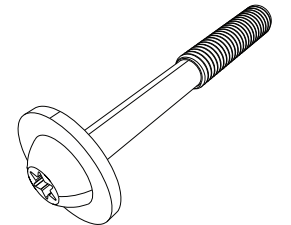
(4) Bolt (M821)



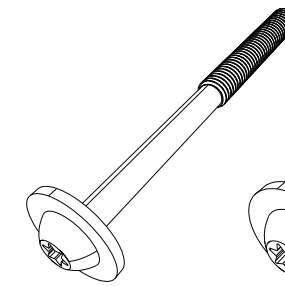
(32) Bolt (M833)



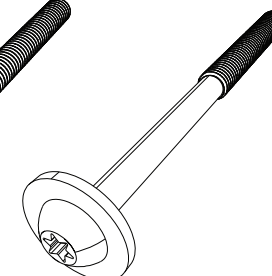
(2) Bolt (M845)



(8) Bolt (M865)



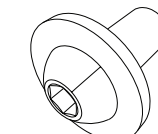
(28) Bolt (M896)



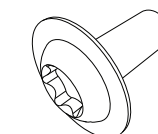
(44) Bolt (M8107)



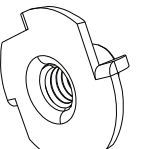
(18) Nut (BM615)



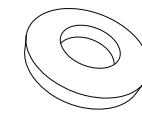
(16) Nut (BM818)



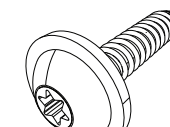
(14) Nut (BM825)



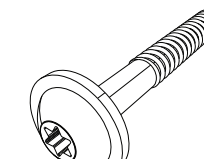
(80) Nut (NM815)



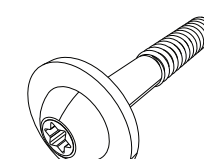
(4) Washer



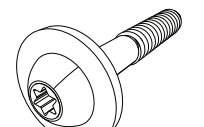
(44) Screw (M6SW35)



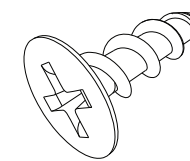
(18) Screw (M6SW55)



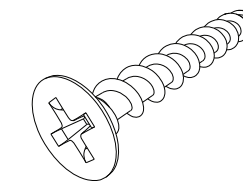
(82) Screw (M8SW50)



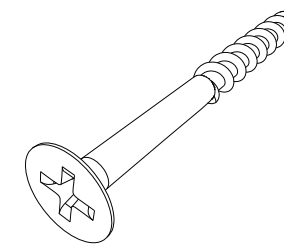
(4) Screw (M8SW60)



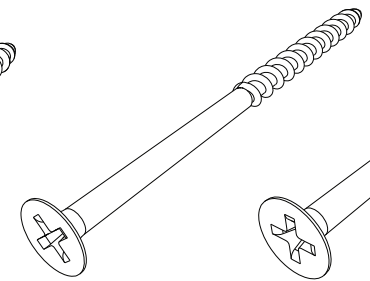
(24) Screw (SW16)



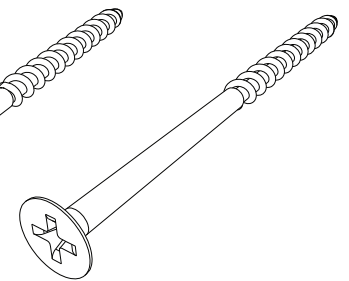
(448) Screw (SW35)



(92) Screw (SW50)

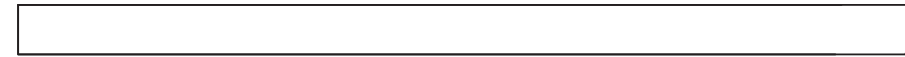


(120) Screw (SW60)

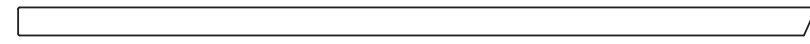


(20) Screw (SW75)

# PARTS LIST



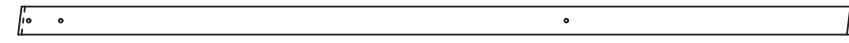
(1) Swing Beam - B04



(2) Beam Support Brace - C20



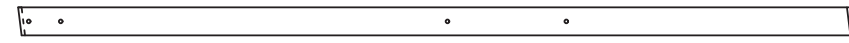
(1) End Support - F30



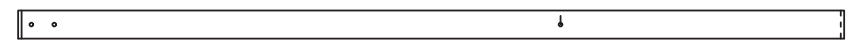
(2) Tower Leg - C01A



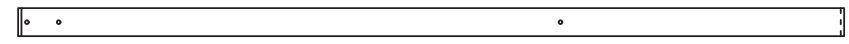
(1) Tower Leg - C02A



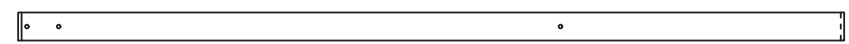
(1) Tower Leg - C03A



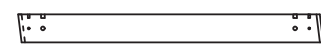
(2) Tower Leg - C04A



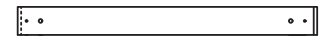
(1) Tower Leg - C05A



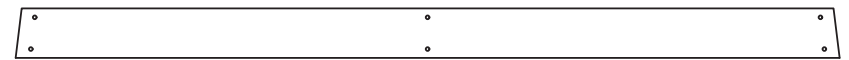
(1) Tower Leg - C06B



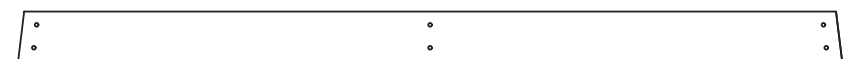
(4) Tower Leg - C09



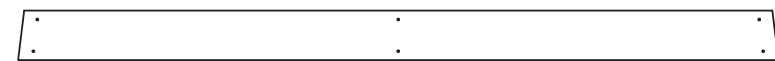
(4) Tower Leg - C10



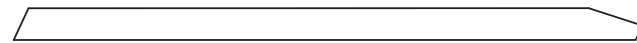
(1) Base Board - S03



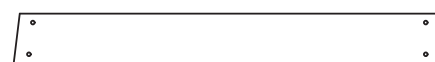
(2) Base Board - S04



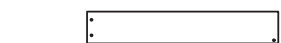
(1) Opening Block - S05



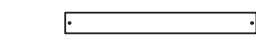
(1) Climbing Wall Frame - K19



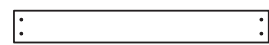
(1) Small Deck Base Board - S02



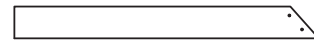
(4) Table Top Board - W05



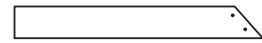
(2) Floorboard - W01



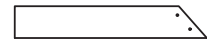
(30) Wall Board - W07



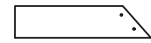
(1) Small Deck Floorboard - W15



(1) Small Deck Floorboard - W17



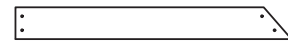
(1) Small Deck Floorboard - W19



(1) Small Deck Floorboard - W21



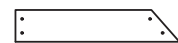
(1) Small Deck Floorboard - W24



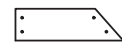
(1) Small Deck Floorboard - W16



(1) Small Deck Floorboard - W18



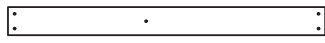
(1) Small Deck Floorboard - W20



(1) Small Deck Floorboard - W22



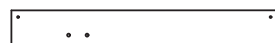
(1) Small Deck Floorboard - W24A



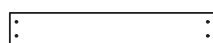
(1) Small Deck Floorboard - W04



(1) Small Deck Floorboard - W12A



(9) Climbing Wall Board - S08

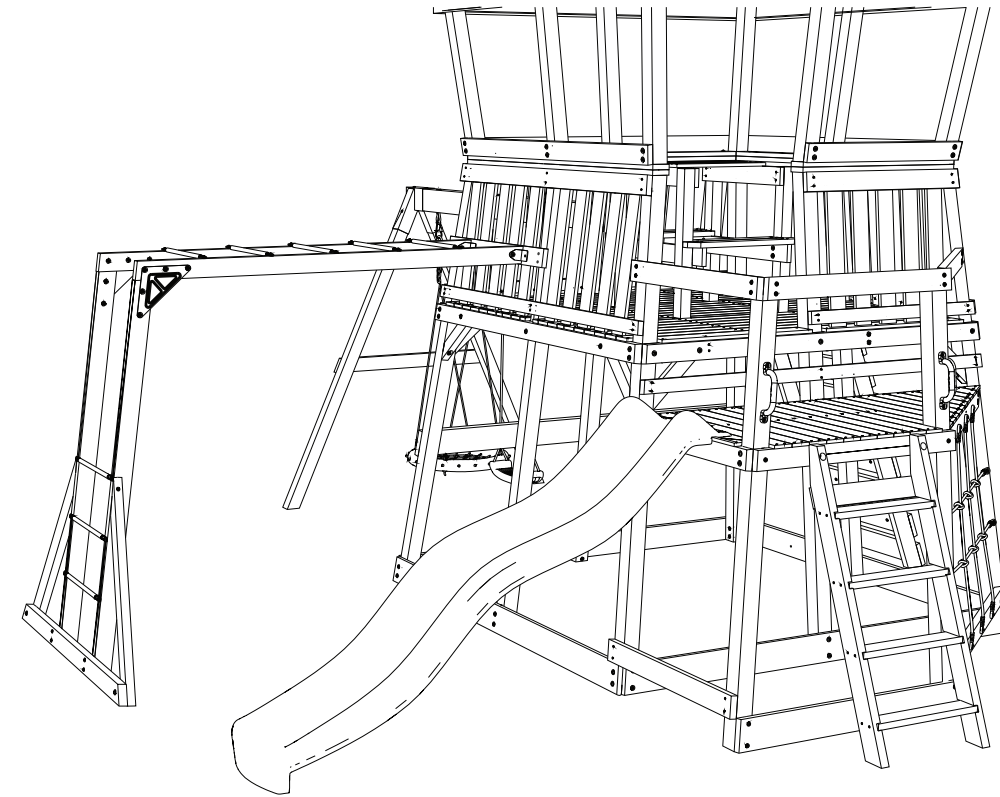


(1) Rear Board - W23

## Step 209:

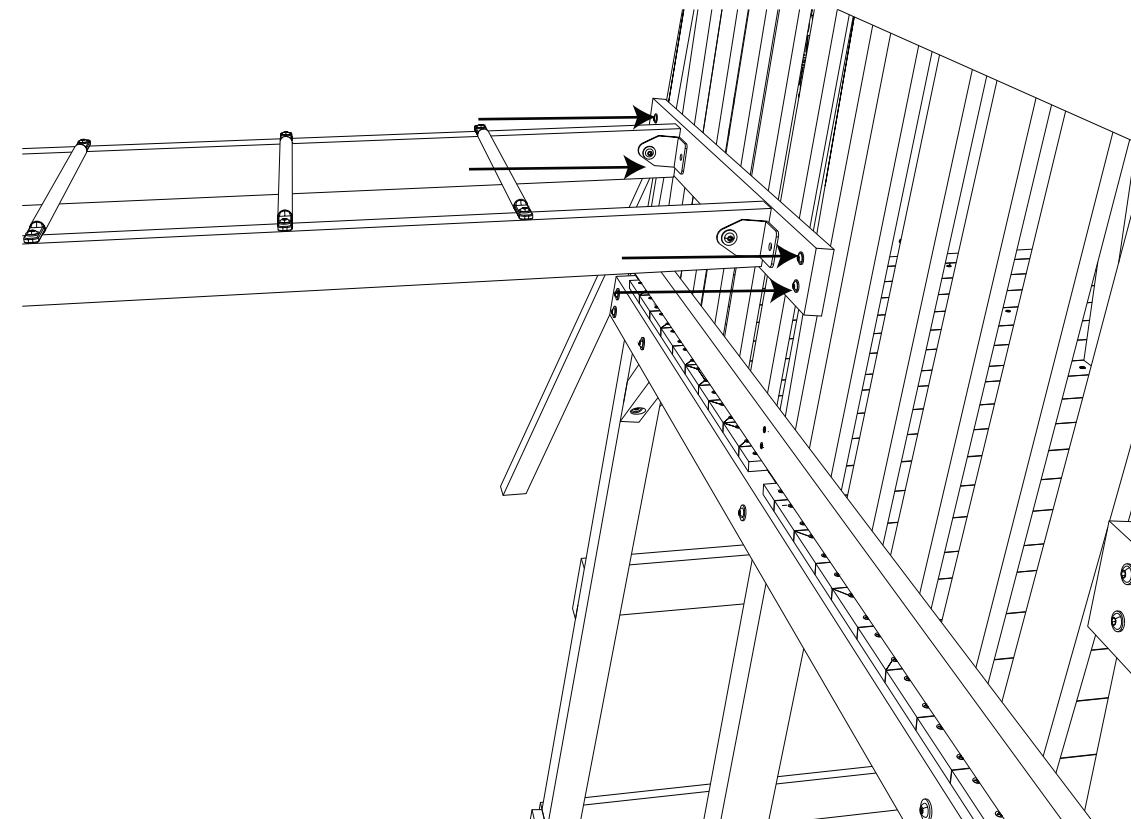
Align the Monkey Bar Support with Tower Legs (C01A) and (C04A).

Note: This is one of two optional placements for the Monkey Bars. The alternative option is shown in Step 212.



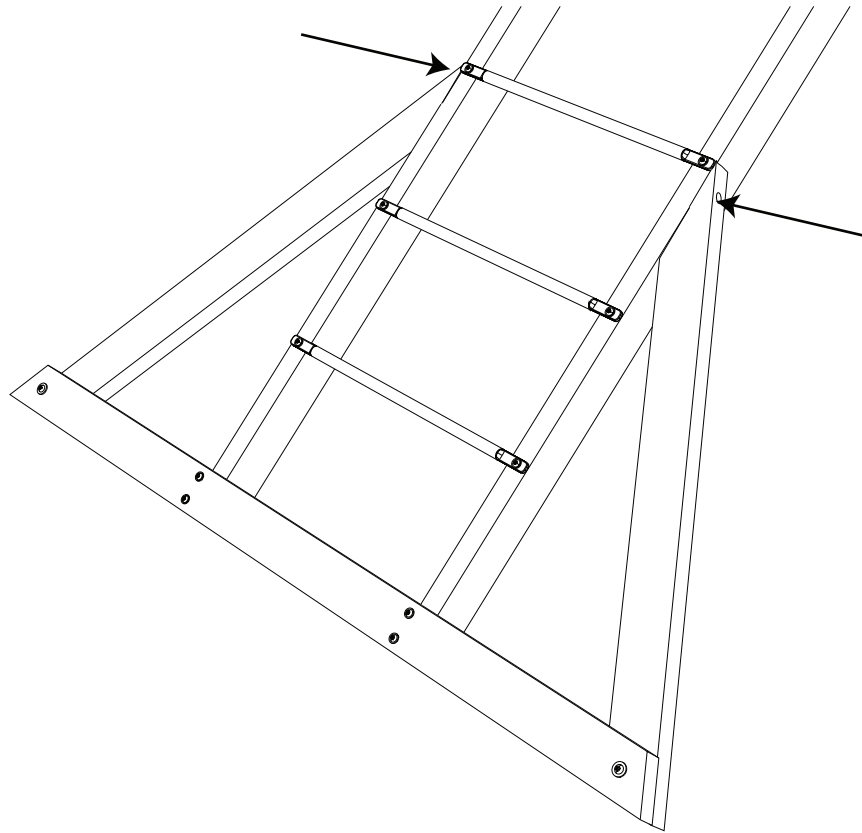
## Step 210:

Using a Level, attach the Monkey Bar Support to Tower Legs (C01A) and (C04A) using (4) Screws (M6SW55).



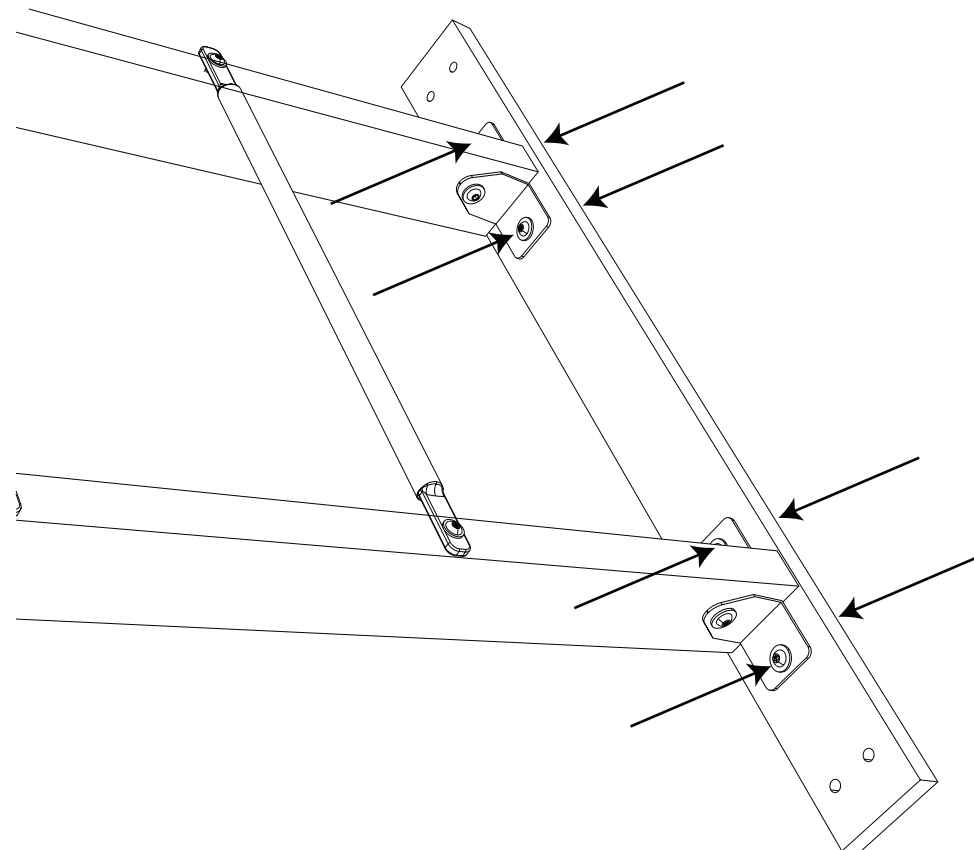
### Step 207:

Attach the Monkey Bar Braces to the Legs using (2) Screws (SW60).

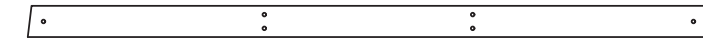


### Step 208:

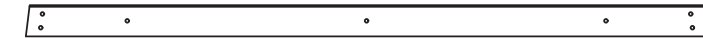
Attach (1) Monkey Bar Support (F33) to the M-Brackets using (4) Nuts (BM818) and (4) Bolts (M821).



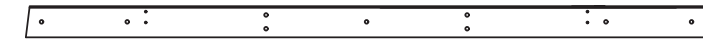
## PARTS LIST CONTINUED



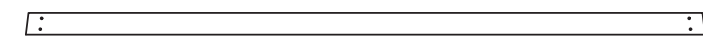
(2) Floor Support - K05



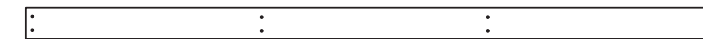
(2) Floor Rail - K06



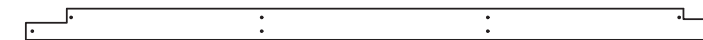
(2) Floor Rail - K08



(3) Floor Support - KA11



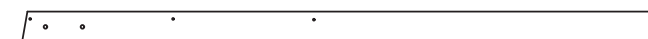
(5) Floorboard - W09



(2) Floorboard - W10



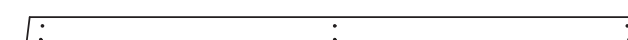
(2) Floorboard - W11



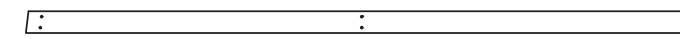
(2) Monkey Bar Leg - K18



(1) Monkey Bar End Support - F31



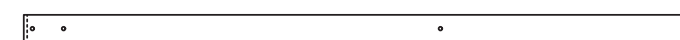
(3) Handrail - F09



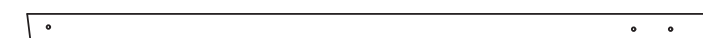
(2) Wall Rail - FA15



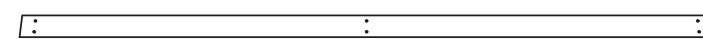
(1) Small Deck Leg - C07



(1) Small Deck Leg - C08A



(2) Monkey Bar Beam - K17



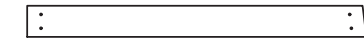
(1) Opening Block - KA15



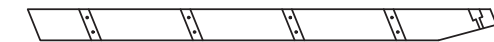
(8) Wood Brace - KA13



(1) Roof Rafter Brace - KA09



(1) Small Deck Handrail - F07



(1) Left Upright - K20A



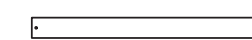
(1) Right Upright - K21A



(1) Small Deck Handrail - K26



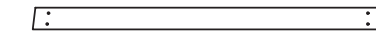
(4) Floorboard - W13



(4) Floorboard - W02



(1) Handrail - F04



(2) Wall Rail - FA13



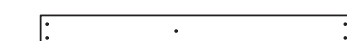
(1) Monkey Bar Support - F33



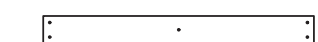
(4) Wood Rung - F23



(1) Monkey Bar Brace - F32



(9) Small Deck Floorboard - W08



(1) Small Deck Floorboard - W04A



(4) Wood Brace - C11



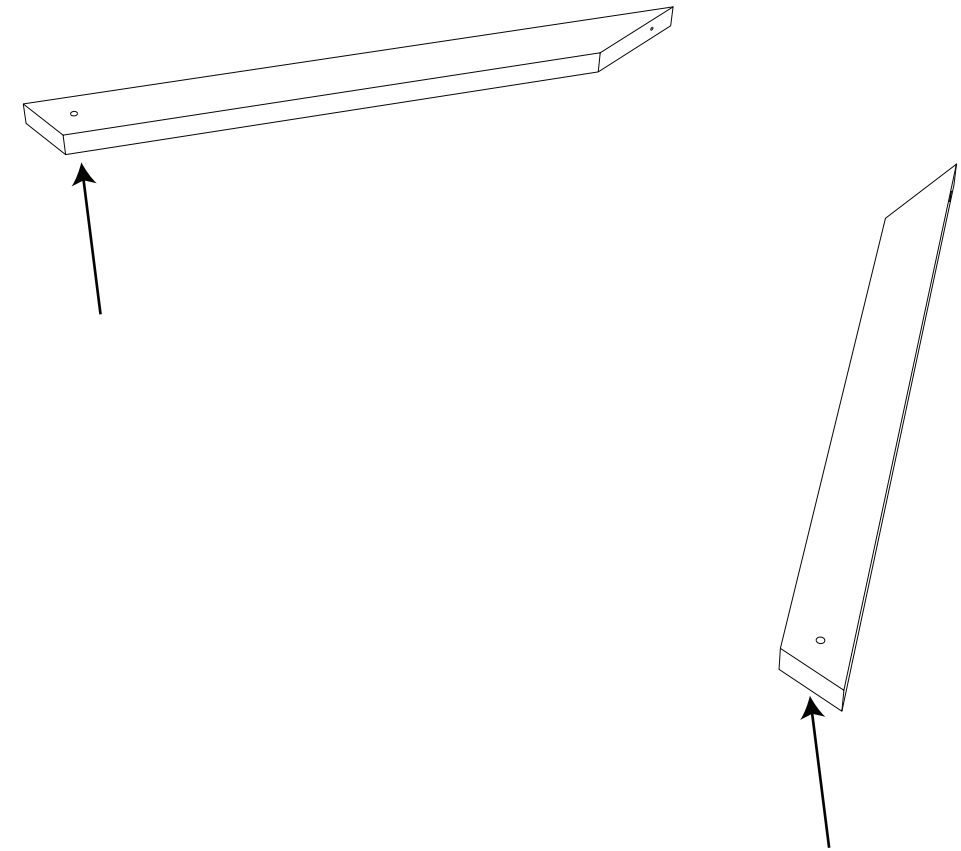
(8) Floor Support - FA17

# PARTS LIST CONTINUED

- (4) Table Leg - CA10
- (2) Bench Support - F03
- (2) Bench Top Board - F02
- (2) Connect Board - F12
- (4) Connect Board - F11
- (2) Connect Board - F13
- (3) Roof Rail - F14
- (1) Roof Rail - F15
- (4) Roof Rail - F16
- (4) Roof Rafter - KA12
- (1) Small Deck Rail - F05
- (1) Small Deck Base Board - K22
- (1) Small Deck Floor Rail - K01
- (1) Small Deck Floor Rail - K23
- (1) Small Deck Floor Rail - K24
- (1) Small Deck Floor Rail - K02
- (1) Small Deck Floor Support - K25
- (2) Table Top Support - F01
- (2) Bench Top Board - F08
- (4) Swing Hanger
- (8) Metal Rung
- (4) M- Bracket
- (1) Metal Board
- (1) I-Bracket
- (1) Y- Bracket
- (1) Tarp
- (2) Sun Shade
- (9) Climbing Rock
- (1) Slide
- (1) Climbing Net
- (1) Swing Seat
- (1) Nest Swing
- (5) Handle
- (6) Ground Stake

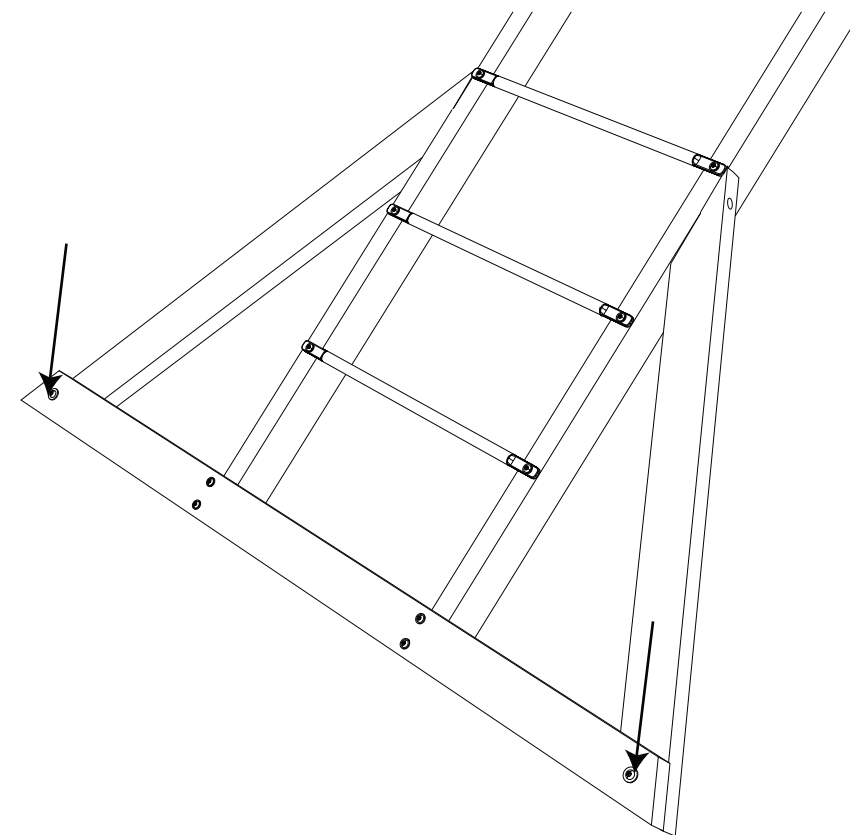
## Step 205:

Insert (1) Nut (NM815) into each Monkey Bar Brace (F32). Note the orientation of the angled edges. Turn the Braces over.



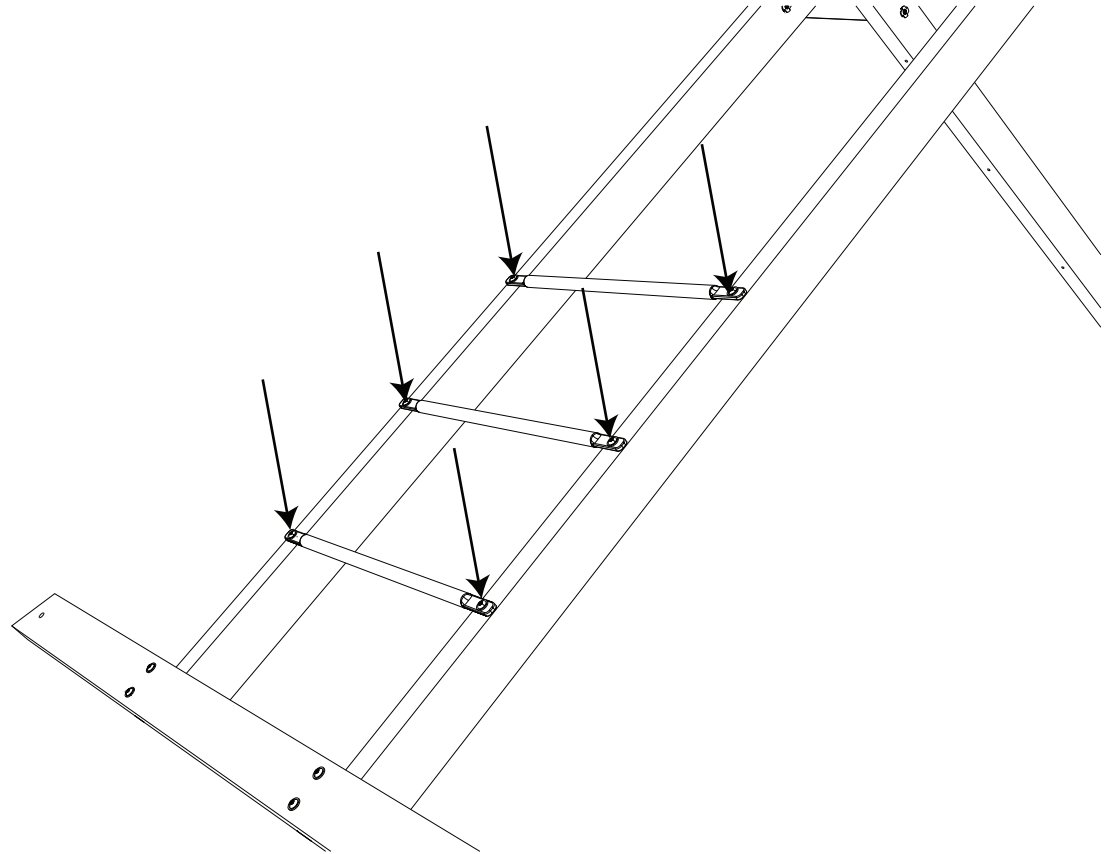
## Step 206:

Align and attach (2) Monkey Bar Braces (F32) to the Monkey Bar End Support using (2) Bolts (M845).



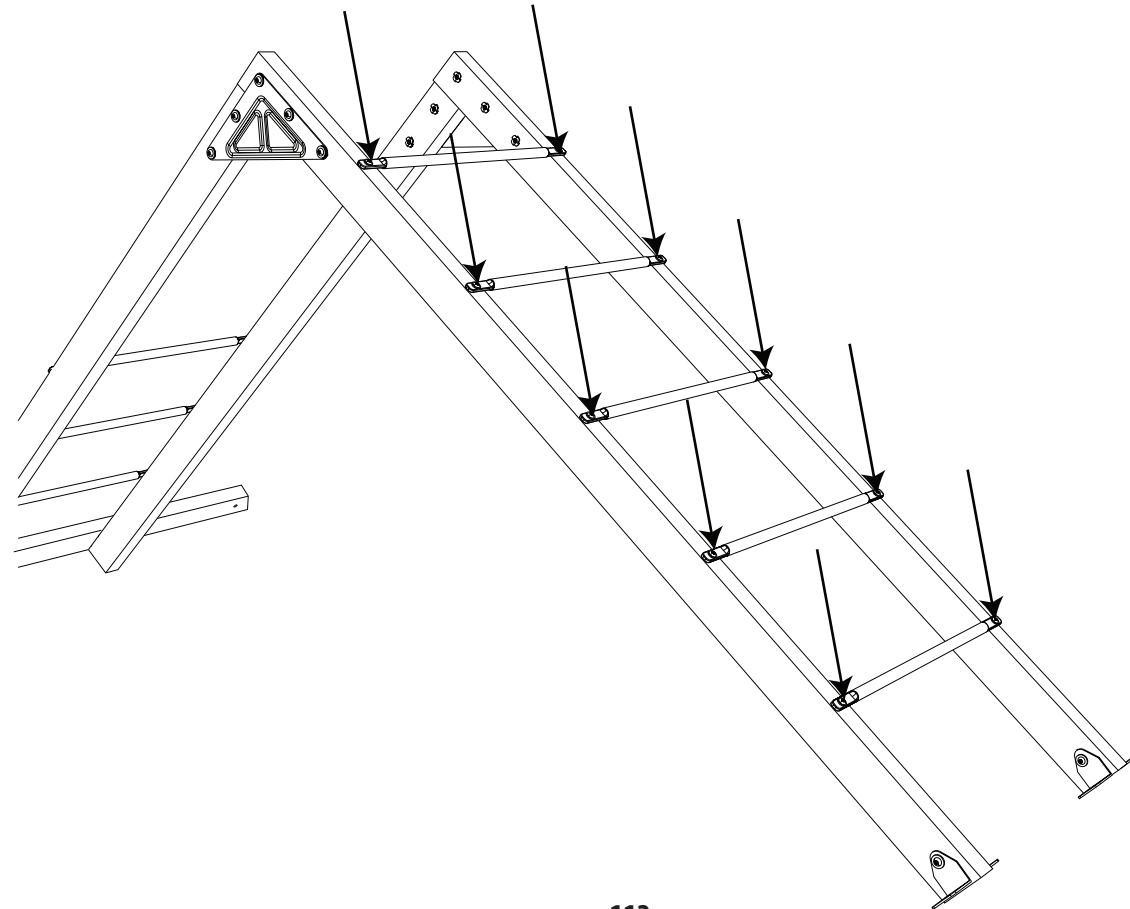
### Step 203:

Attach (3) Metal Rungs to the Legs using (6) Screws (M6SW35).

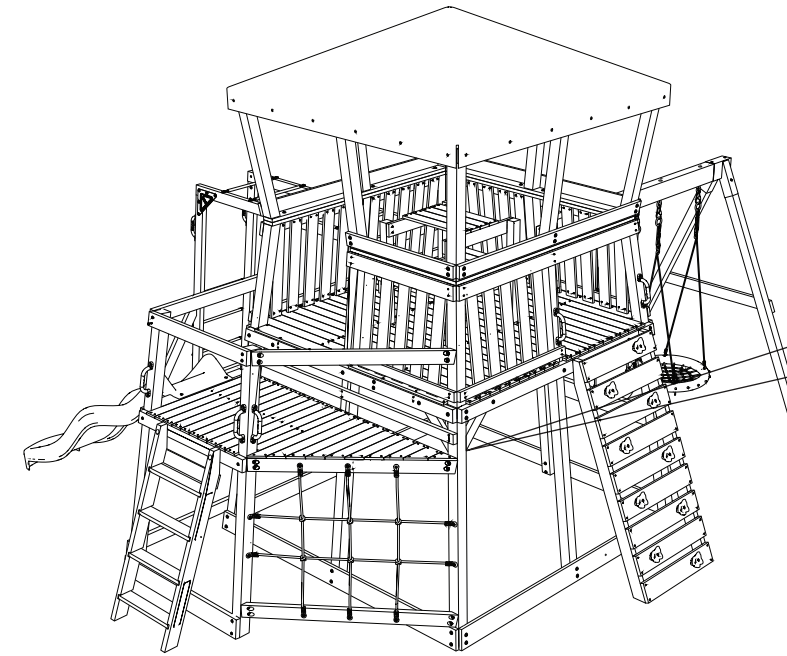


### Step 204:

Attach (5) Metal Rungs to the Monkey Bar Beams using (10) Screws (M6SW35).



## ASSEMBLY INSTRUCTIONS



### Step 1:

This procedure will assist you with assembling the Wolf Mountain.

### Step 2:

To complete this procedure, you will need a Power Drill, a Phillips Head Bit, a Hammer, a Rubber Mallet, a Level, a Square, a Tape Measure, a Ladder, and the included 6mm Star Bit, 8mm Star Bit, 6mm Allen Wrench, and 8mm Allen Wrench. Optionally, you may need a Flathead Screwdriver.

### Step 3:

This Unit is intended for children 3-10 years of age.

Maximum Weight: 110lb (50kg) per child.

Maximum Occupancy: 10.

Note: Prior to assembly, this package contains small parts: hardware which is a choking hazard and may contain sharp edges and sharp points. Keep away from children until assembled. Do not allow children to play on this Unit until assembly is complete and the Unit is properly anchored.

### Step 4:

The obstacle-free safety zone extends 6ft or 2m out from the Unit and at least 12ft (3.7m) in front and back of to-fro swings from any obstruction such as a garage or house, fences, poles, trees, sidewalks, walls, landscape timbers, rocks, pavement, planters, garden borders, overhanging branches, laundry lines, and electrical wires.

Note: Locate bare metal platforms and Slides out of direct sunlight to reduce the likelihood of serious burns. A Slide that faces north will receive the least direct sunlight.

Note: There are alternative options for the Monkey Bar placement.

### Step 5:

Maximum critical fall height for this Unit is 6ft (2m). Place this Unit on level ground with protective surfacing applied to a depth that is suitable for the equipment height. Check and maintain the depth of the loose-fill surfacing material by marking the correct level on play equipment support posts. This will allow you to easily see when to replenish and/or redistribute the surfacing. Refer to the Important Safety Instructions for additional information.

Note: Do not install loose-fill surfacing over hard surfaces such as concrete, asphalt, or any other hard surface. A fall onto a hard surface can result in serious injury to the equipment user.

### Step 6:

Lay out all Ropes out in the sun or in a warm environment and allow them to become more pliable.

### WARNING

#### CONTINUOUS ADULT SUPERVISION REQUIRED!

**SERIOUS HEAD INJURY HAZARD**  
MAINTAIN SHOCK ABSORBING MATERIAL UNDER AND AROUND PLAY-SET AS RECOMMENDED IN THE INSTALLATION & OPERATING INSTRUCTIONS. INSTALLATION OVER CONCRETE, ASPHALT, DIRT, GRASS, CARPET AND OTHER HARD SURFACES CREATES A RISK OF SERIOUS INJURY OR DEATH FROM FALLS TO THE GROUND.

#### STRANGULATION HAZARDS

**NEVER** ALLOW CHILDREN TO PLAY WITH ROPES, CLOTHESLINES, PET LEASHES, CABLES, CHAINS OR CORD-LIKE ITEMS WHEN USING THIS PLAY-SET OR TO ATTACH THESE ITEMS TO PLAY-SET.

**NEVER** ALLOW CHILDREN TO WEAR LOOSE FITTING CLOTHING, PONCHOS, HOODS, SCARVES, CAPES, NECKLACES, OR ITEMS WITH DRAW-STRINGS, CORDS OR TIES WHEN USING THIS PLAY-SET.

**NEVER** ALLOW CHILDREN TO WEAR BIKE OR SPORT HELMETS WHEN USING THIS PLAY-SET. FAILURE TO PROHIBIT THESE ITEMS INCREASES THE RISK OF SERIOUS INJURY AND DEATH TO CHILDREN FROM ENTANGLEMENT AND STRANGULATION.

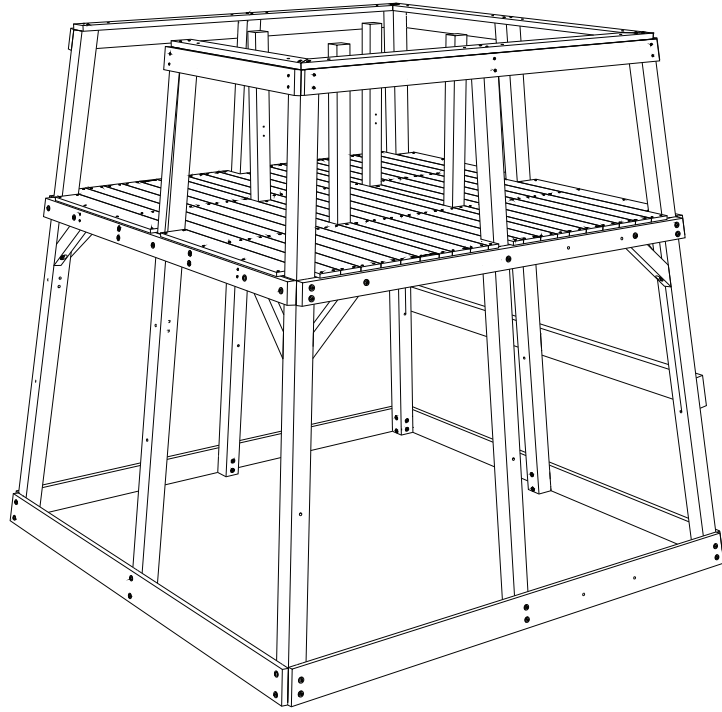
FOR CHILDREN 3 TO 10 YEARS OF AGE. MAXIMUM NUMBER OF USERS, INSTALLATION & OPERATING INSTRUCTIONS: OTHER INFORMATION IS AVAILABLE AT:

[www.littletikes.com](http://www.littletikes.com)  
Little Tikes Consumer Service  
2180 Barlow Road,  
Hudson, Ohio 44236 U.S.A.  
1-800-321-0183

Tracking Number:

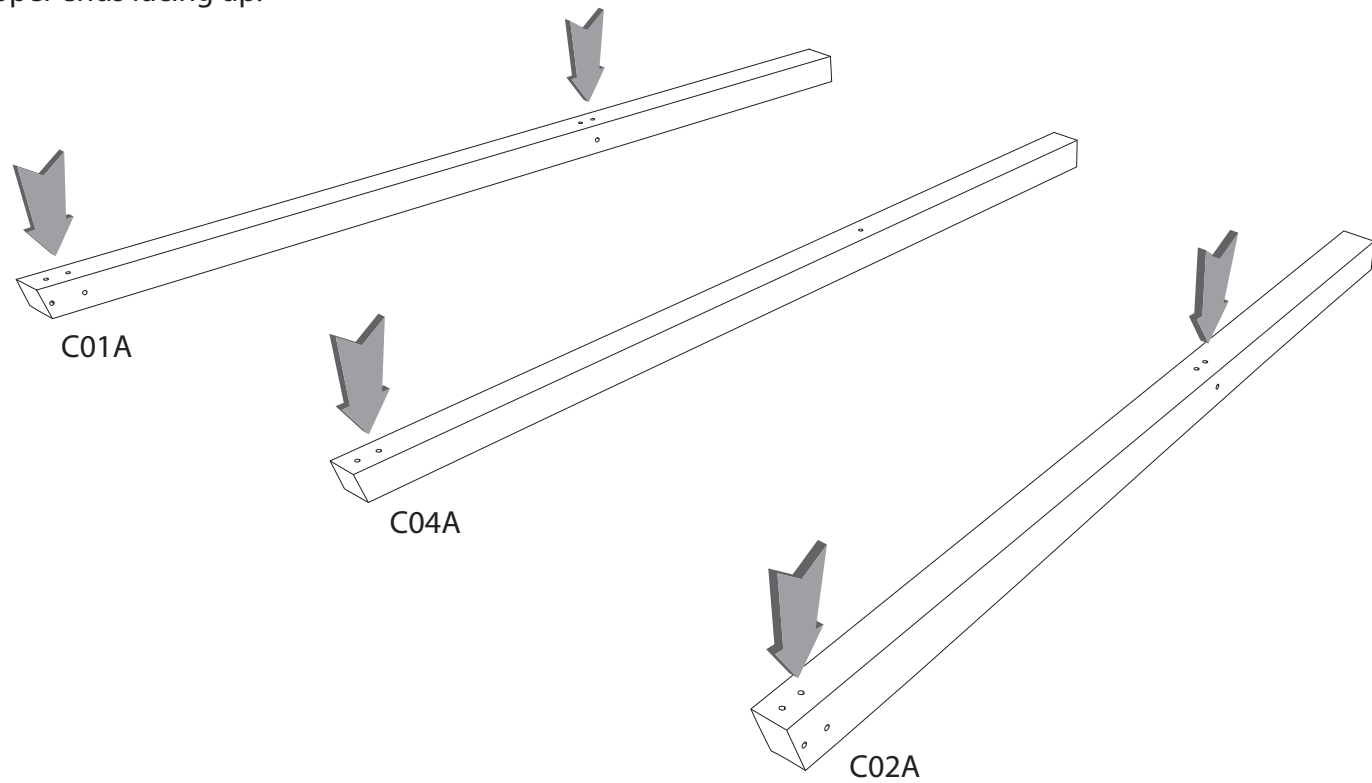
### Step 7:

The following steps will guide you through the Fort Assembly. Pay close attention to the orientation of the Tower Legs as each Leg must face a specific direction. Assembling the Tower Legs correctly is critical to facilitating proper assembly of the Play Set.



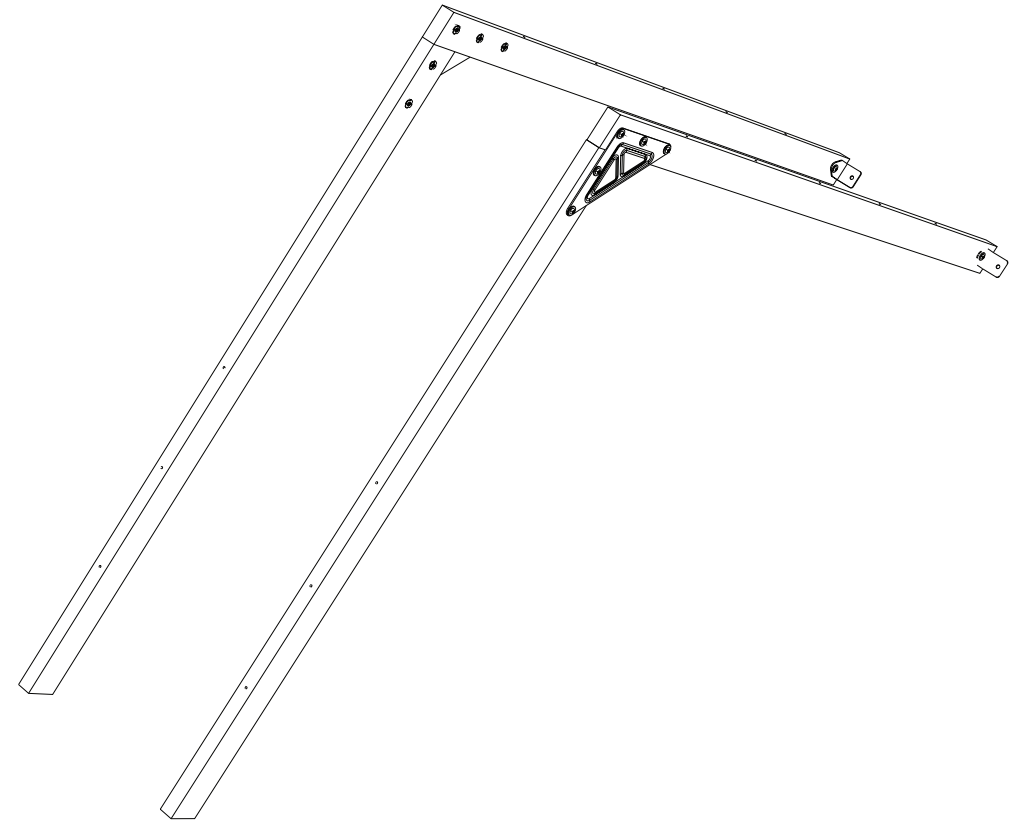
### Step 8:

Lay out Tower Legs (C01A), (C04A), and (C02A) as shown. Note the orientation of the holes on each Tower Leg. The bottom end of each Tower Leg should have (2) large predrilled holes facing up. The holes should all be the same distance apart. Tower Legs (C01A) and (C02A) should have (2) large predrilled holes toward the upper ends facing up.



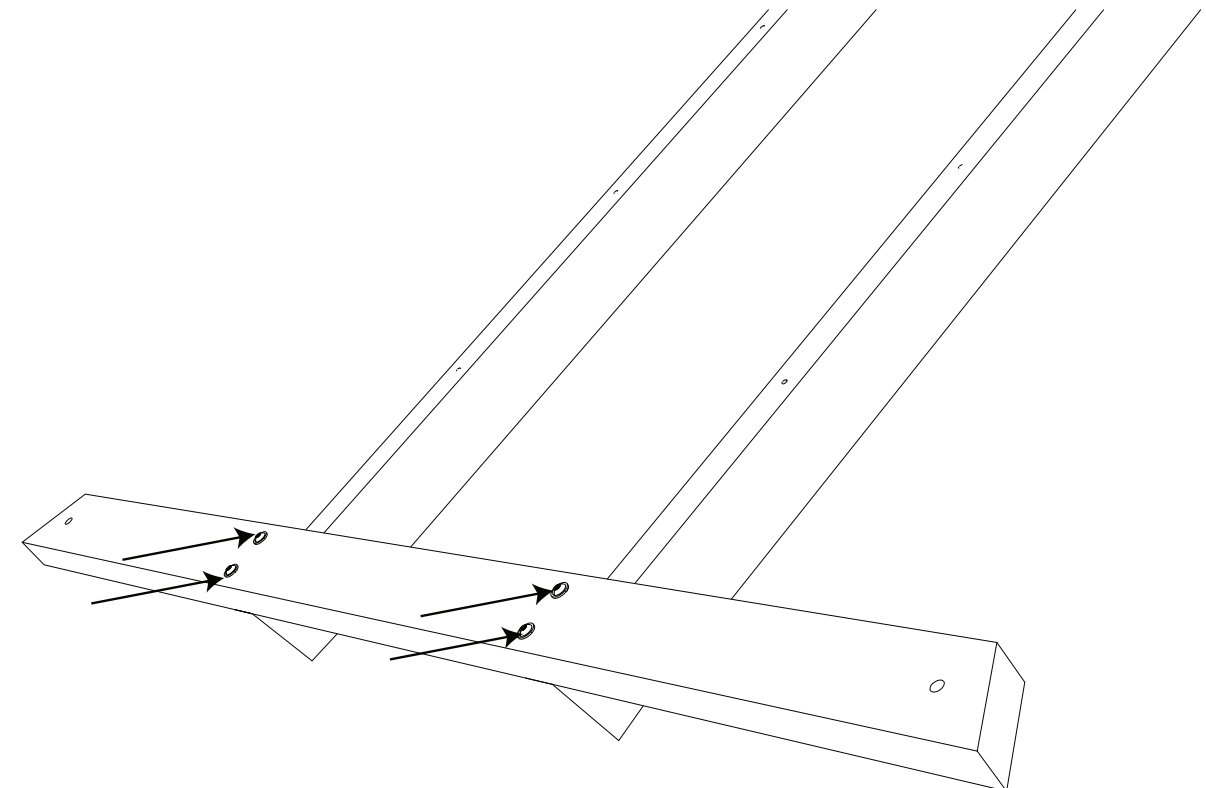
### Step 201:

Stand and align the Assemblies.



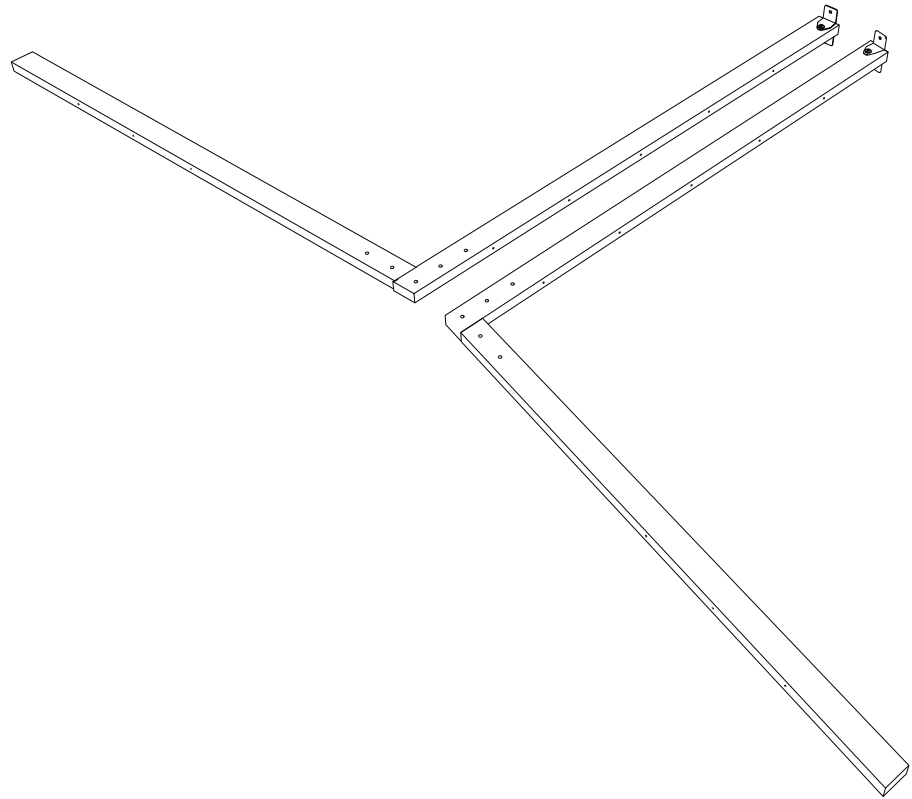
### Step 202:

Attach (1) Monkey Bar End Support (F31) to the Monkey Bar Legs using (4) Screws (M6SW55). Note the orientation of the angled edges.



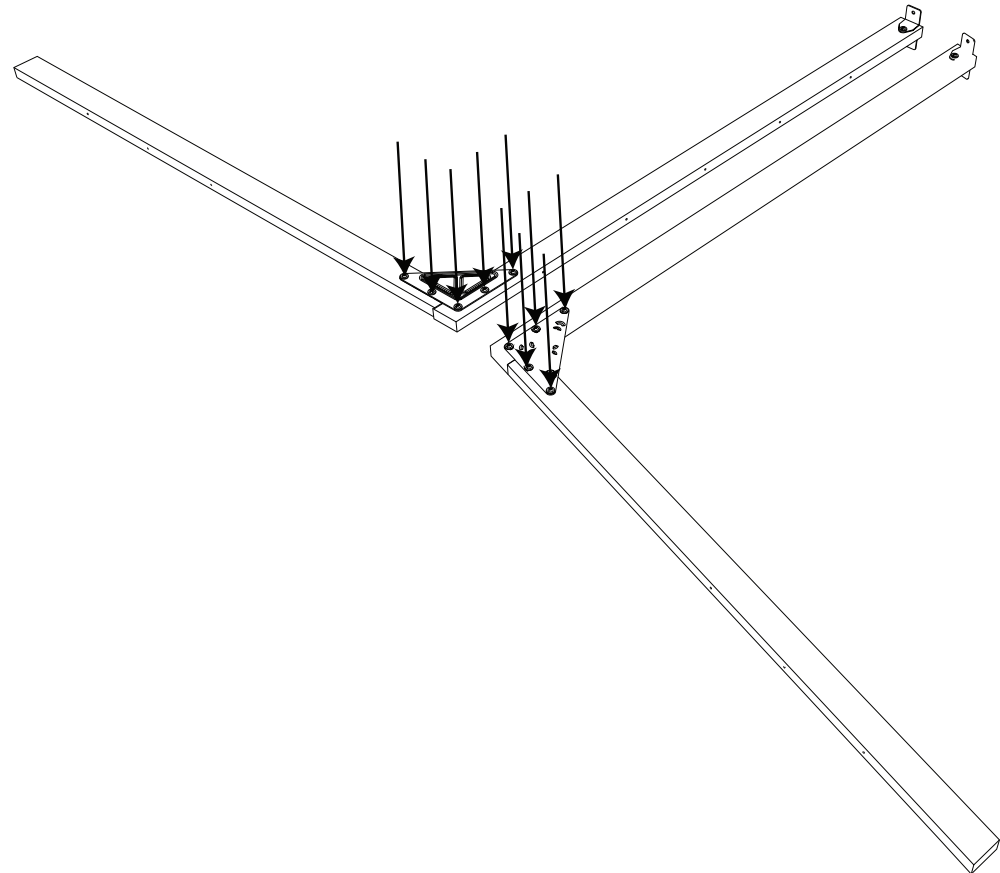
### Step 199:

Turn all the Rails so the Nuts face downward. Align the Monkey Bar Legs and Monkey Bar Beams as shown. Note the orientation of the angled edges.



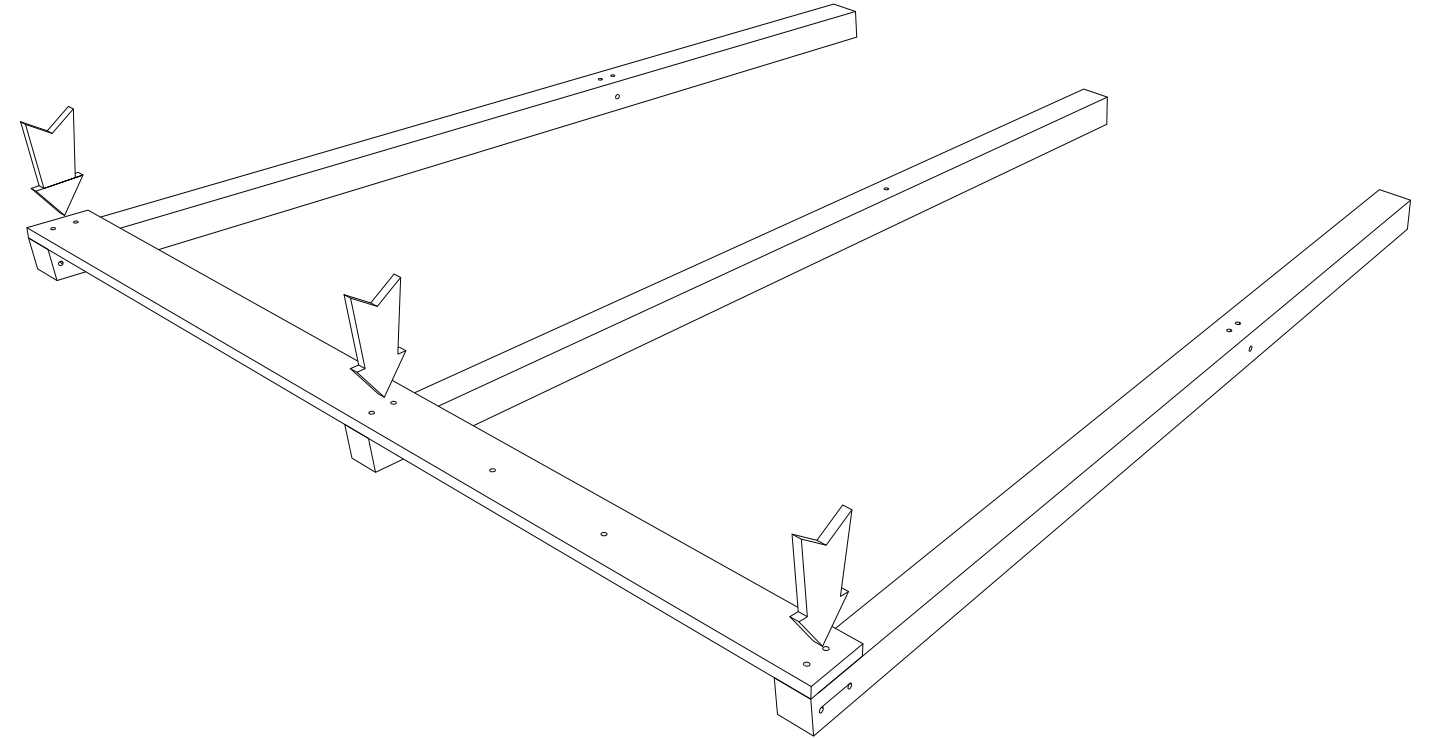
### Step 200:

Attach (2) Metal Boards to the Monkey Bar Beams and Legs using (10) Bolts (M833).



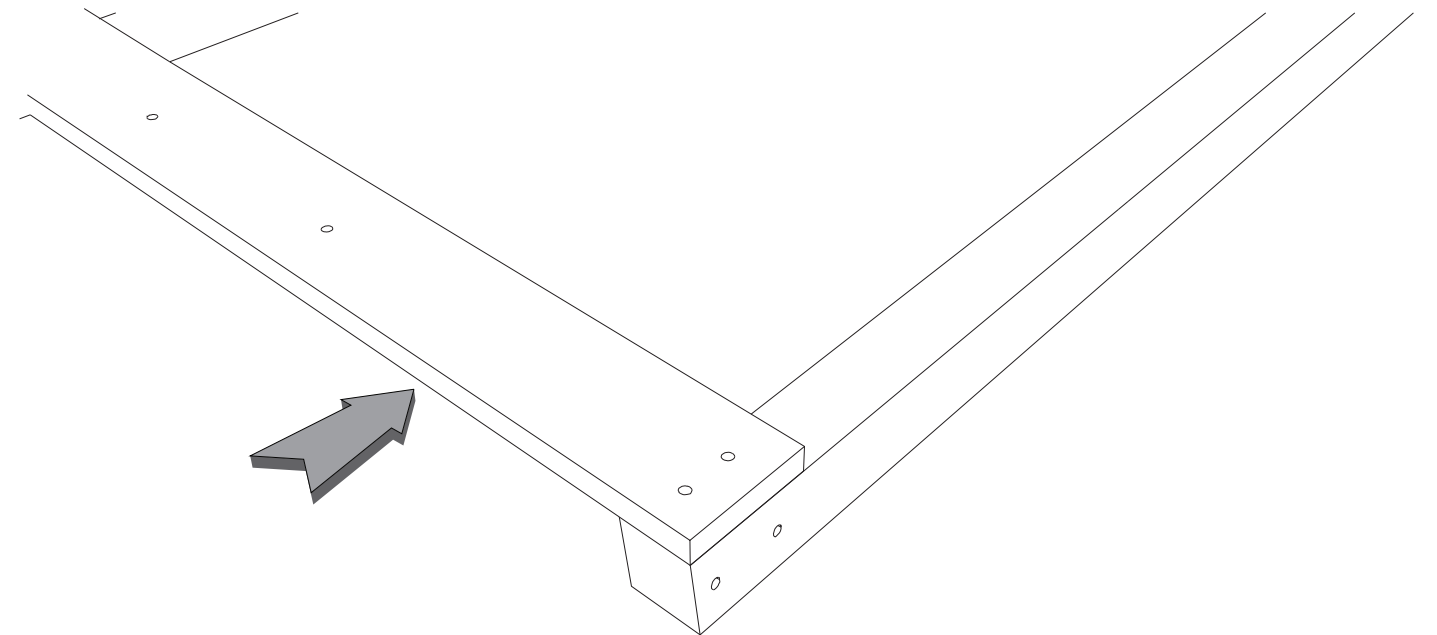
### Step 9:

Place (1) Base Board (S04) across the bottom of the Tower Legs. Make sure the predrilled holes are aligned. Ensure the additional predrilled holes are located between Tower Legs (C04A) and (C02A).



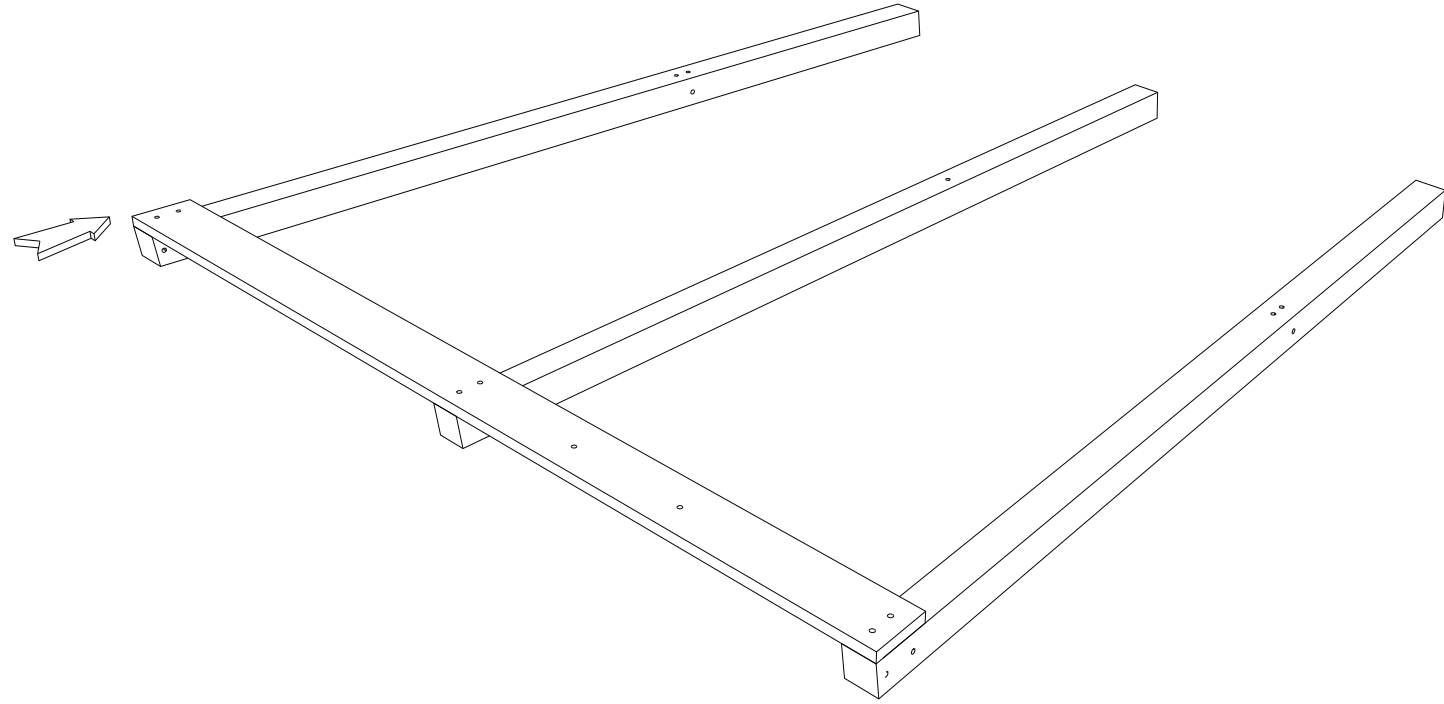
### Step 10:

The Base Board and the Tower Leg must be flush along both the side and bottom edges.



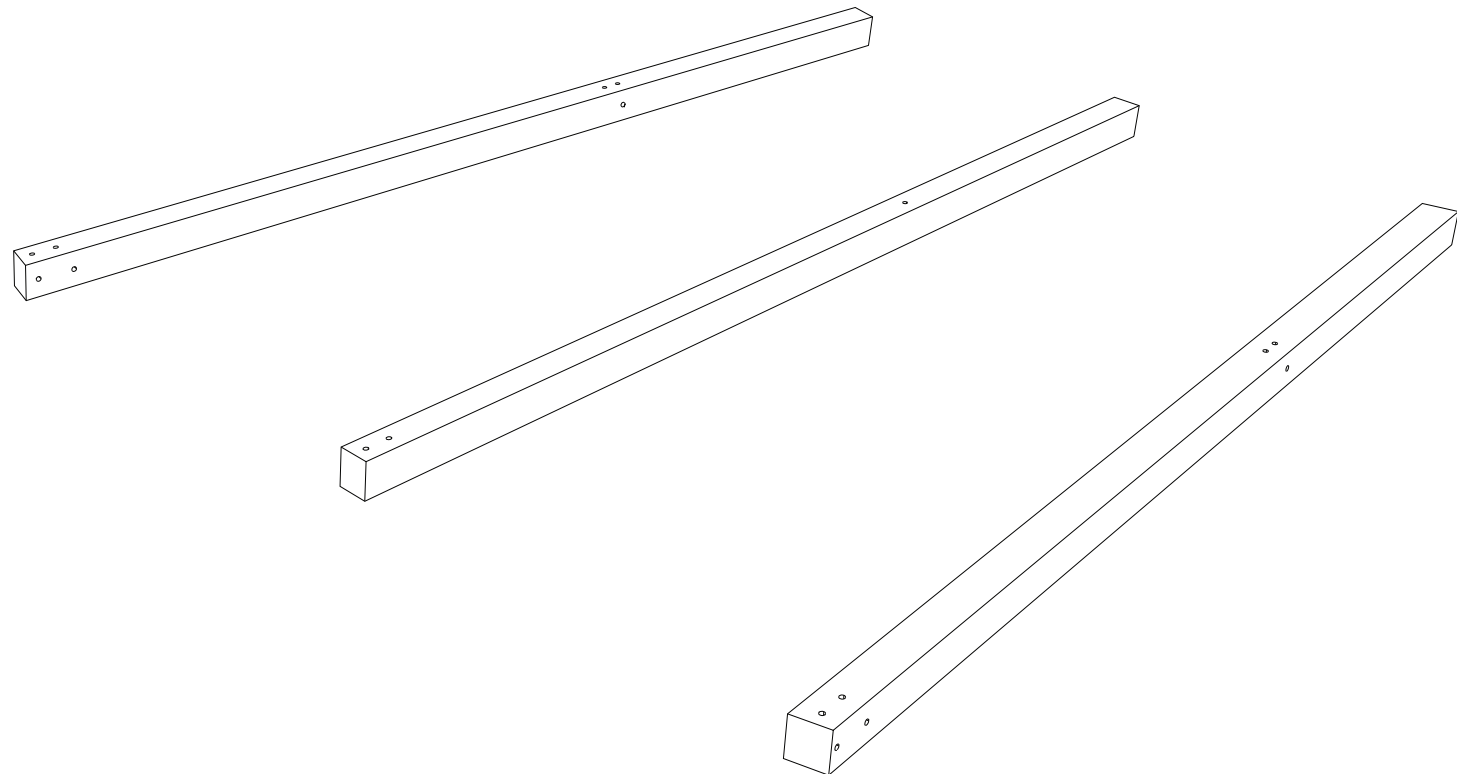
### Step 11:

Ensure all Tower Legs are flush with the Base Board. The bottom edge of each Tower Leg is angled. Ensure the angled edges of the Tower Legs are facing the same direction.



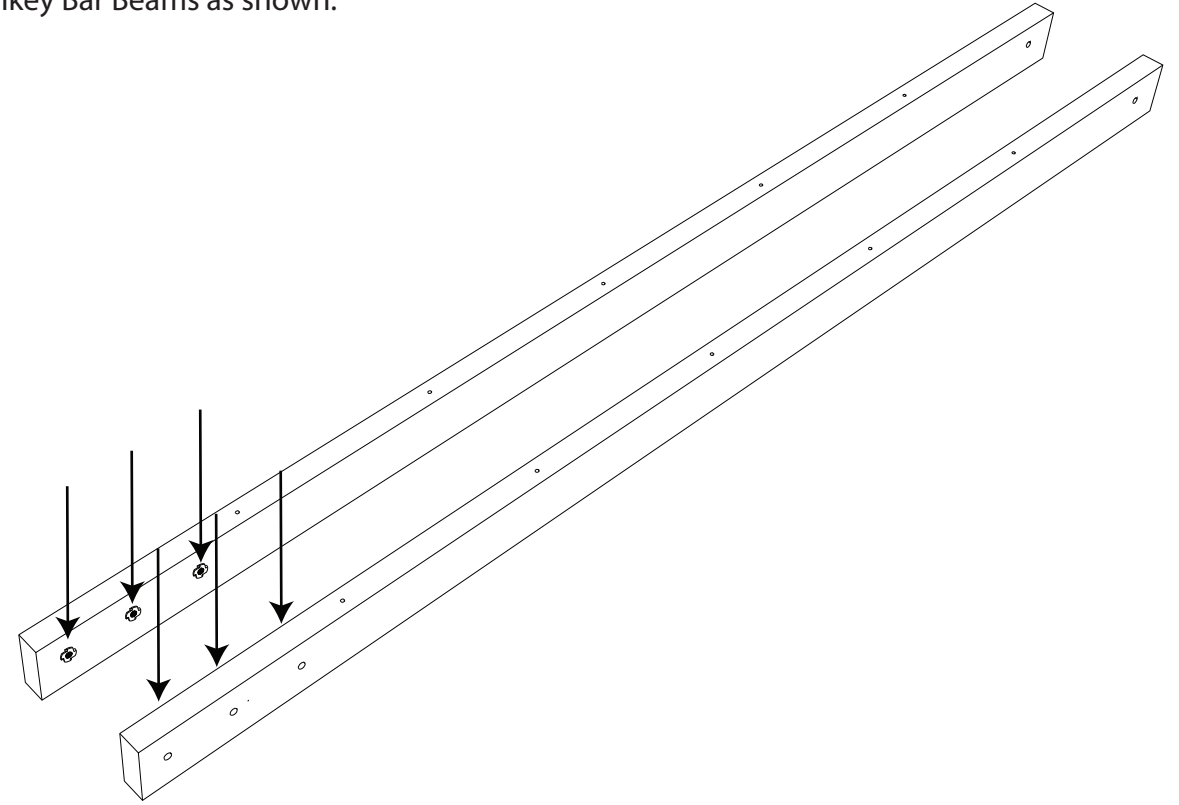
### Step 12:

Rotate all Tower Legs 180 degrees.



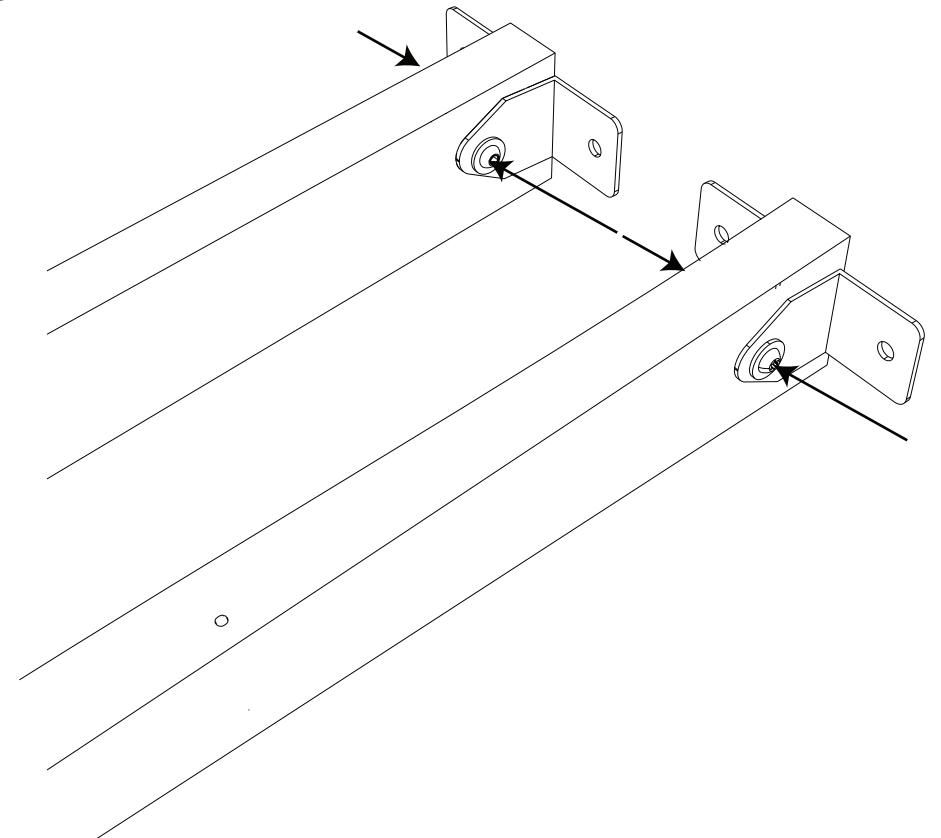
### Step 197:

Insert (3) Nuts (NM815) into each Monkey Bar Beam (K17). Note the orientation of the angled edges. Position the Monkey Bar Beams as shown.



### Step 198:

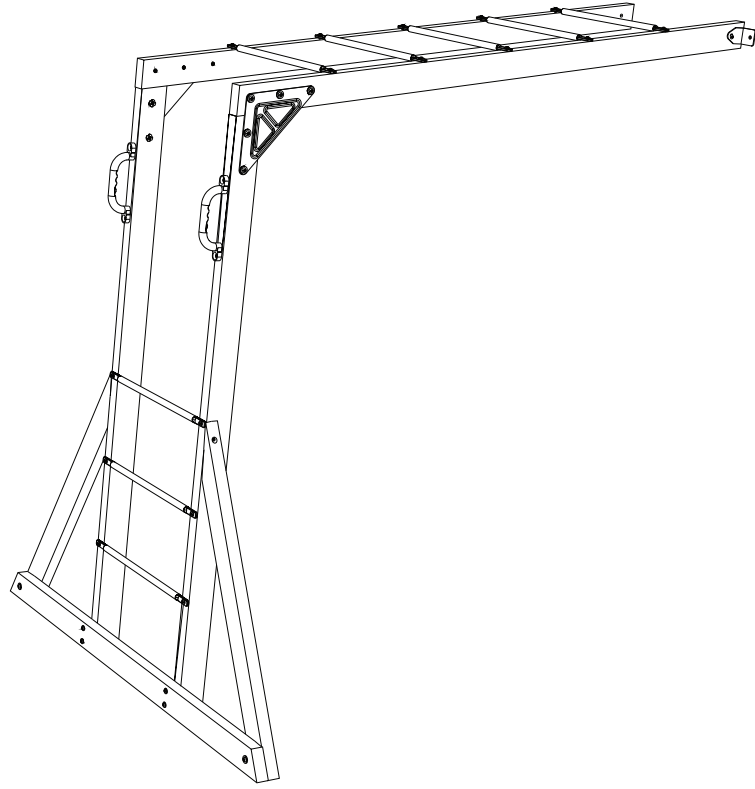
Attach (2) M-Brackets to each Monkey Bar Beam using (2) Nuts (BM818) and (2) Bolts (M833). Note the orientation of the square edges on the M-Brackets.





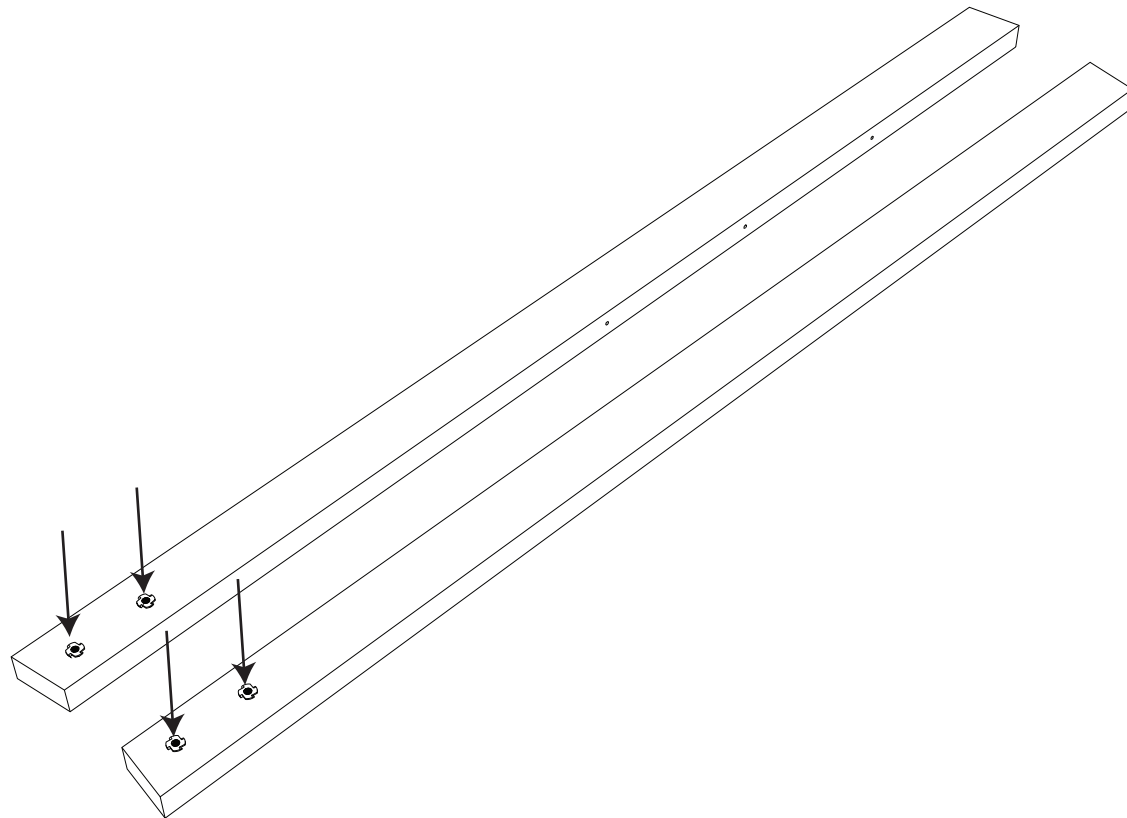
### Step 195:

The following steps will guide you through the Monkey Bar Assembly.



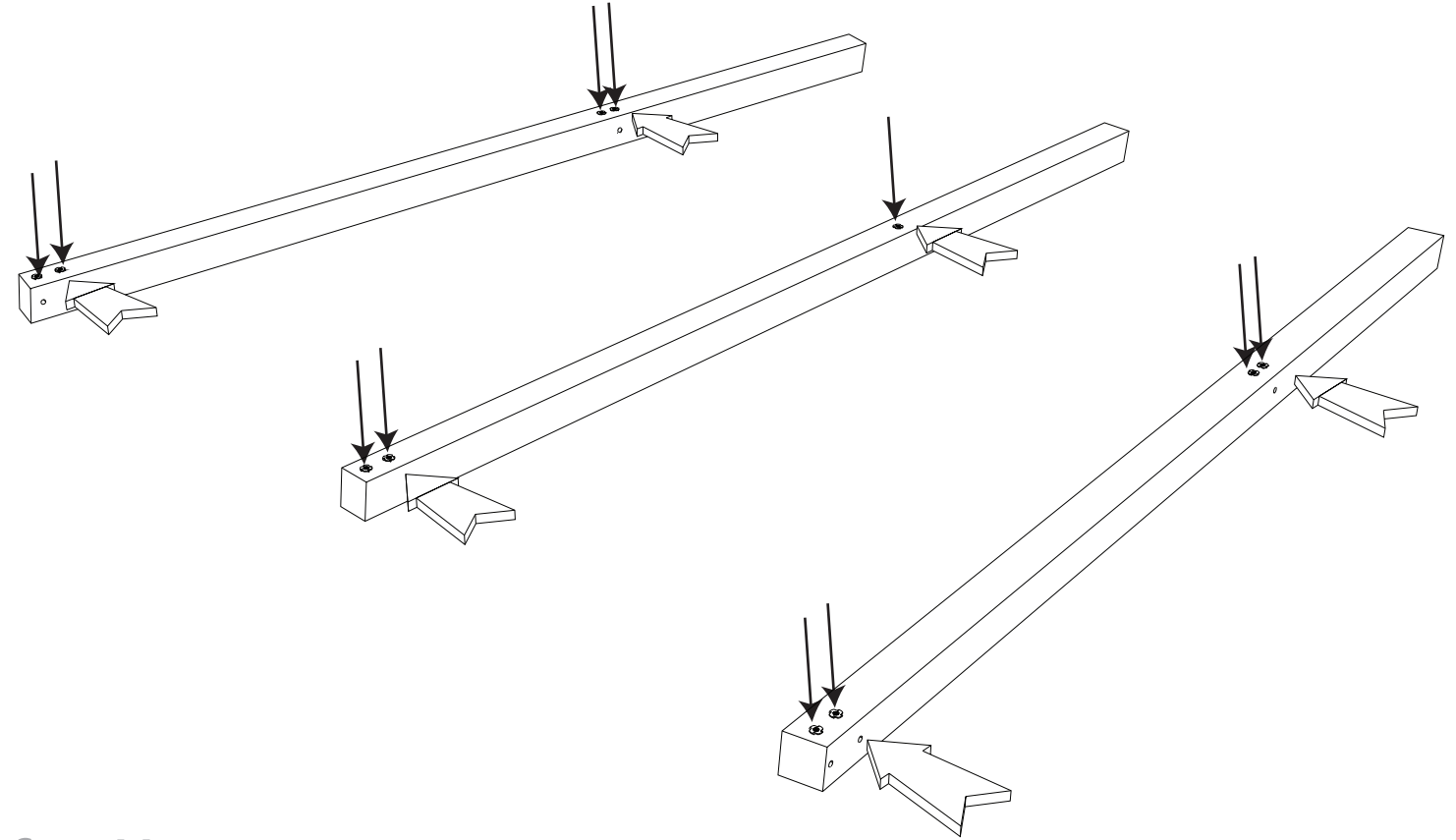
### Step 196:

Insert (2) Nuts (NM815) into each Monkey Bar Leg (K18). Note the orientation of the angled edges.



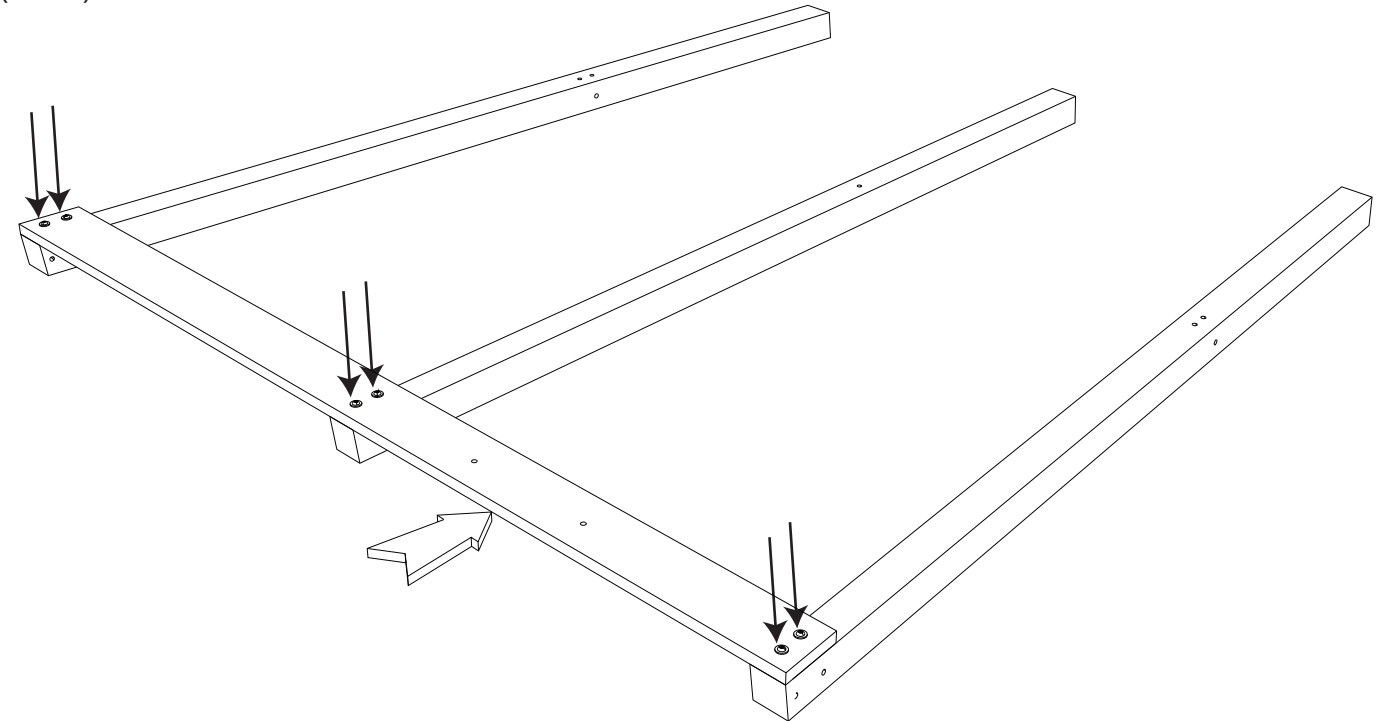
### Step 13:

Insert (11) Nuts (NM815) into the Tower Legs as shown.



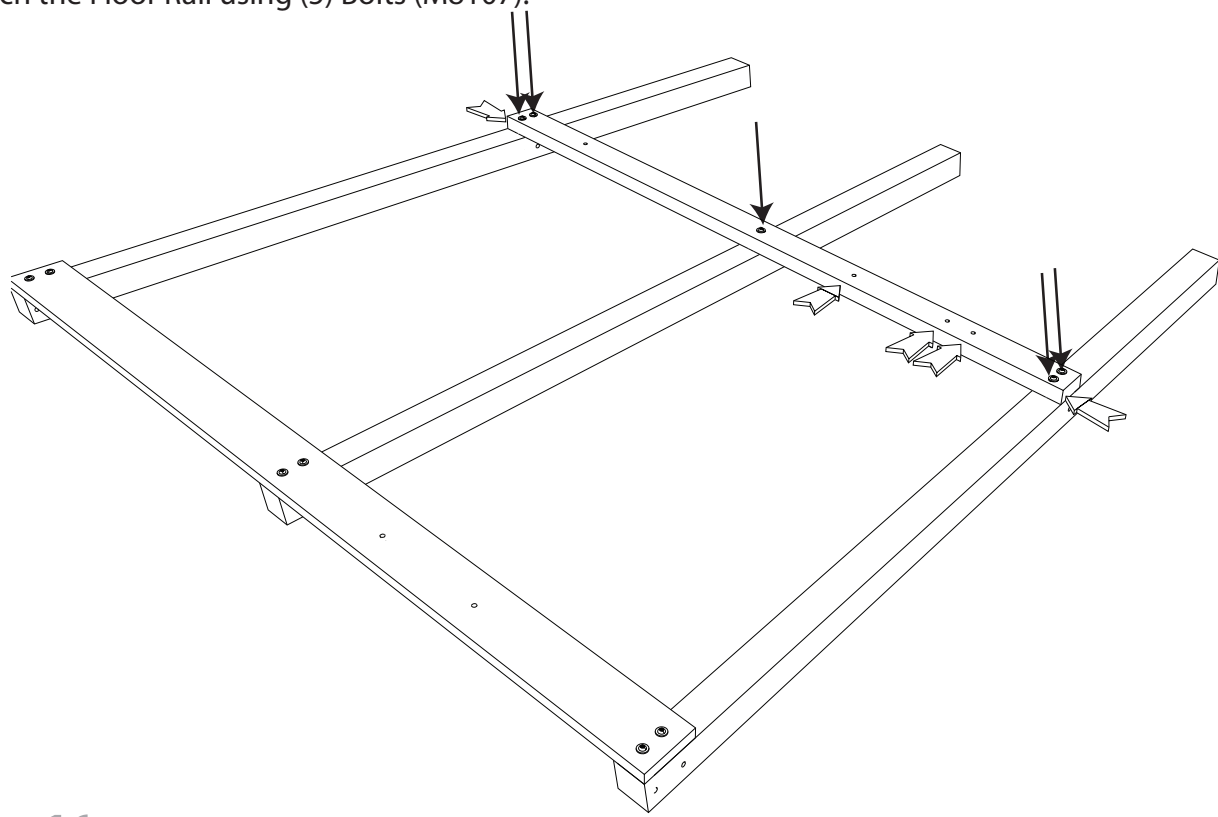
### Step 14:

Rotate the Tower Legs so the Nuts are on the ground. Align Base Board (S04) with the predrilled holes. The bottom edge and side edges of the Base Board must be flush with the Tower Legs. Ensure the additional predrilled holes are located between Tower Legs (C04A) and (C02A). Attach the Base Board using (6) Bolts (M896).



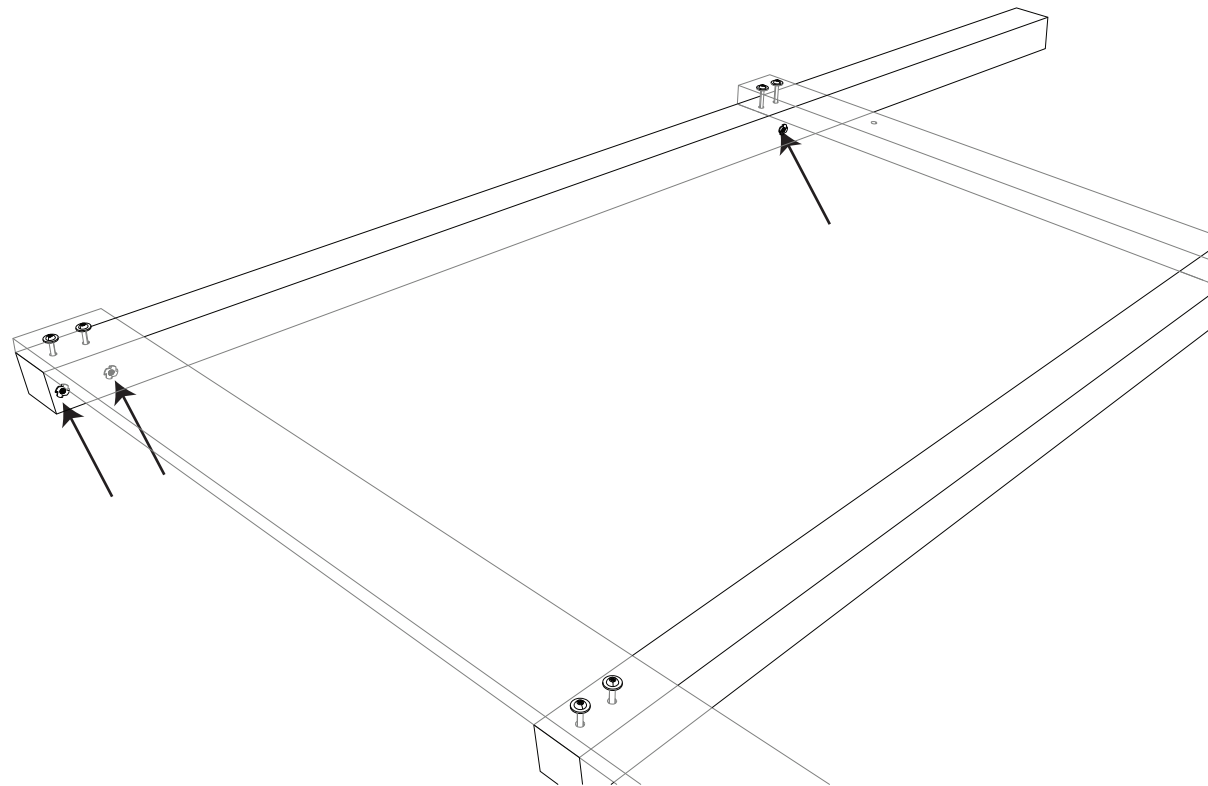
### Step 15:

Align (1) Floor Rail (K06) with the Tower Legs. Ensure the side with (3) predrilled holes is located between Tower Legs (C04A) and (C02A). The ends of the Floor Rail must be flush with Tower Legs (C01A) and (C02A). Attach the Floor Rail using (5) Bolts (M8107).



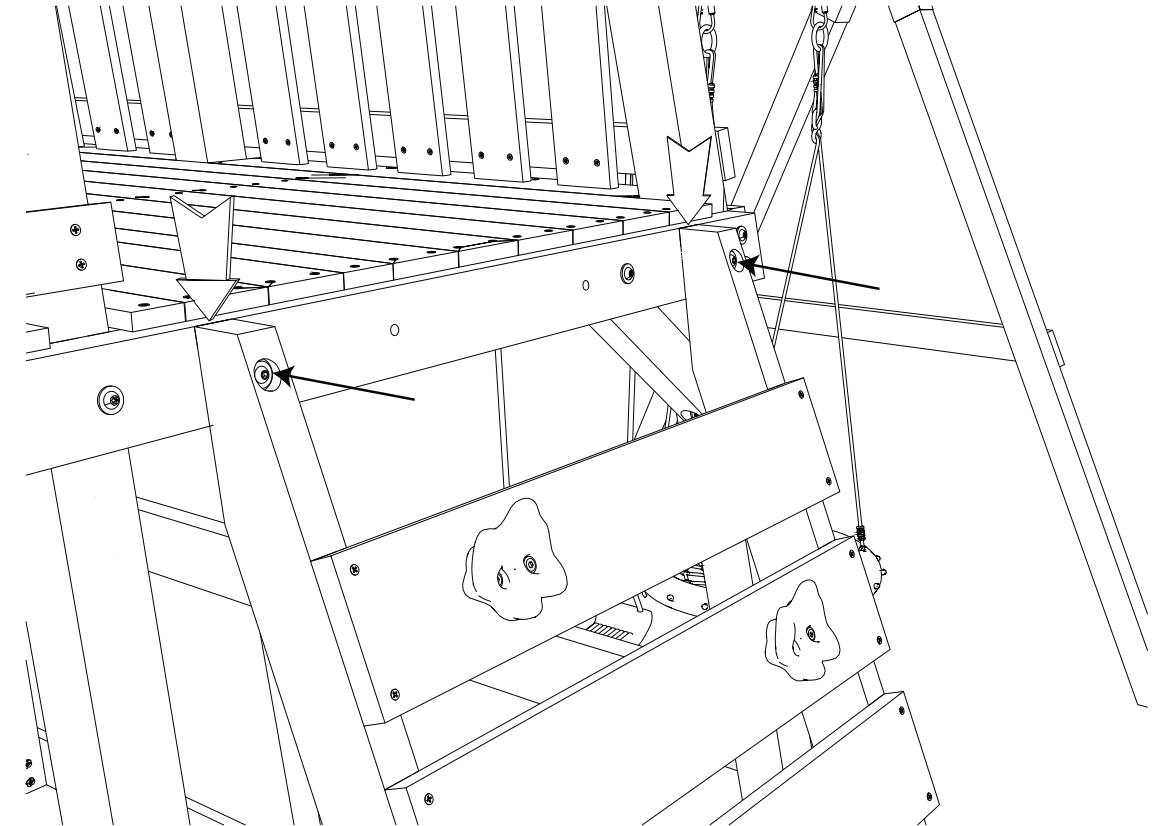
### Step 16:

Insert (3) Nuts (NM815) into Tower Leg (C01A).



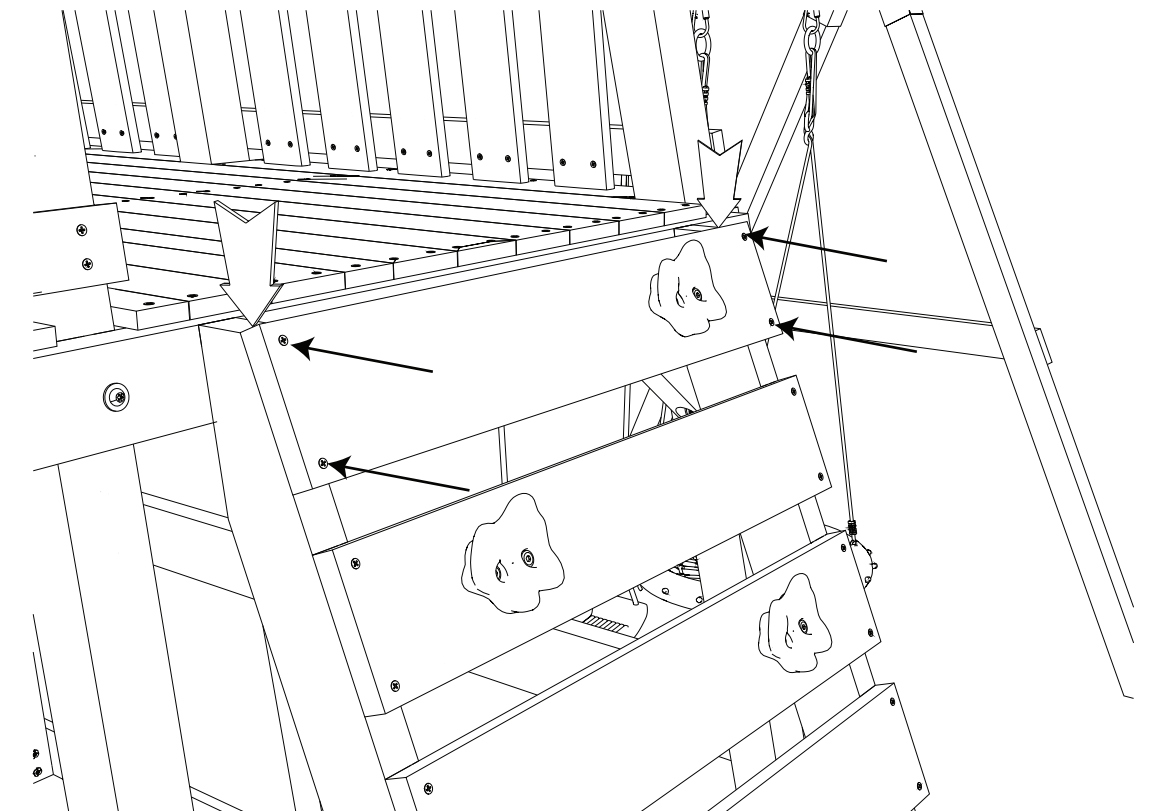
### Step 193:

Secure the Climbing Wall Frames using (2) Screws (M8SW60). Ensure the tops of the Frames are flush with Floor Rail (K06).



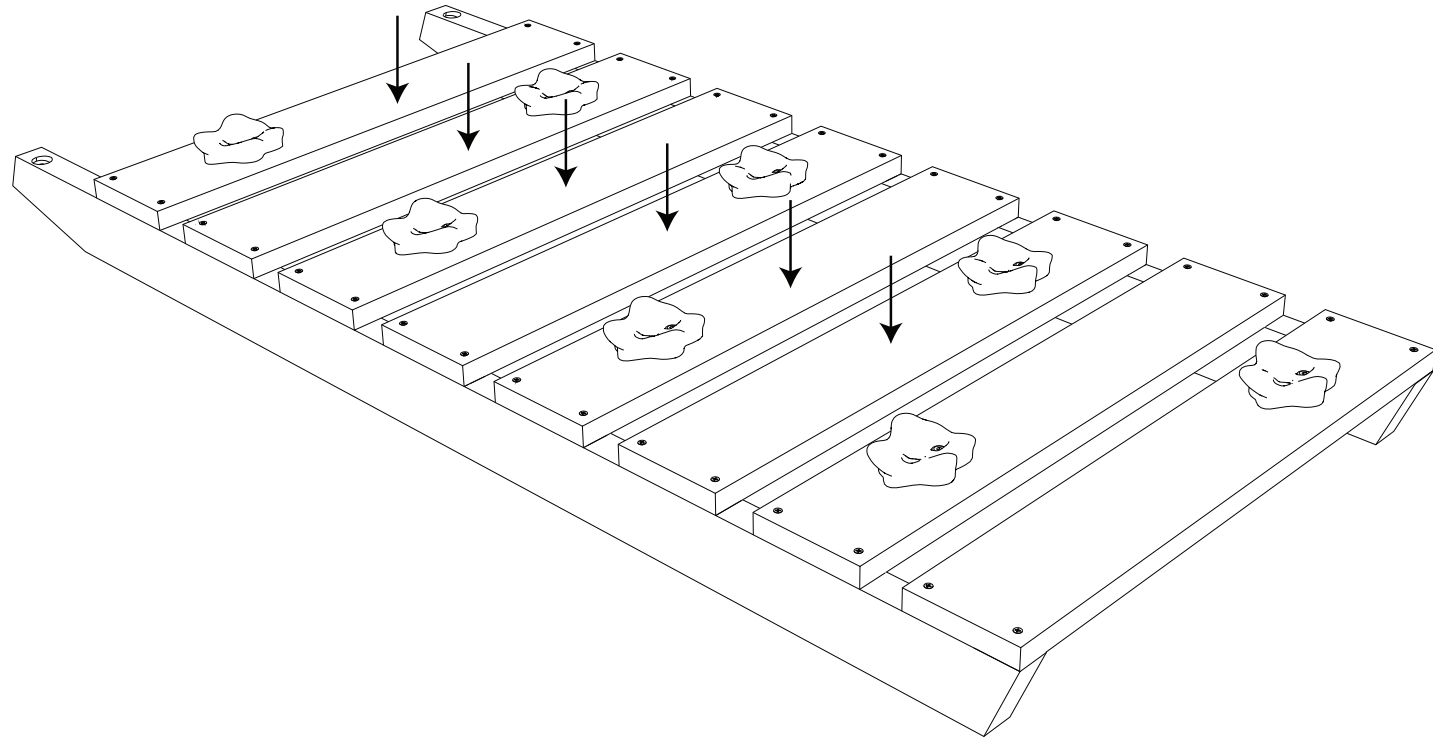
### Step 194:

Attach the remaining Climbing Wall Board (S08) using (4) Screws (SW50). Ensure that the Climbing Wall Board is flush with the top of the Climbing Wall Frames. Note the orientation of the Rock.



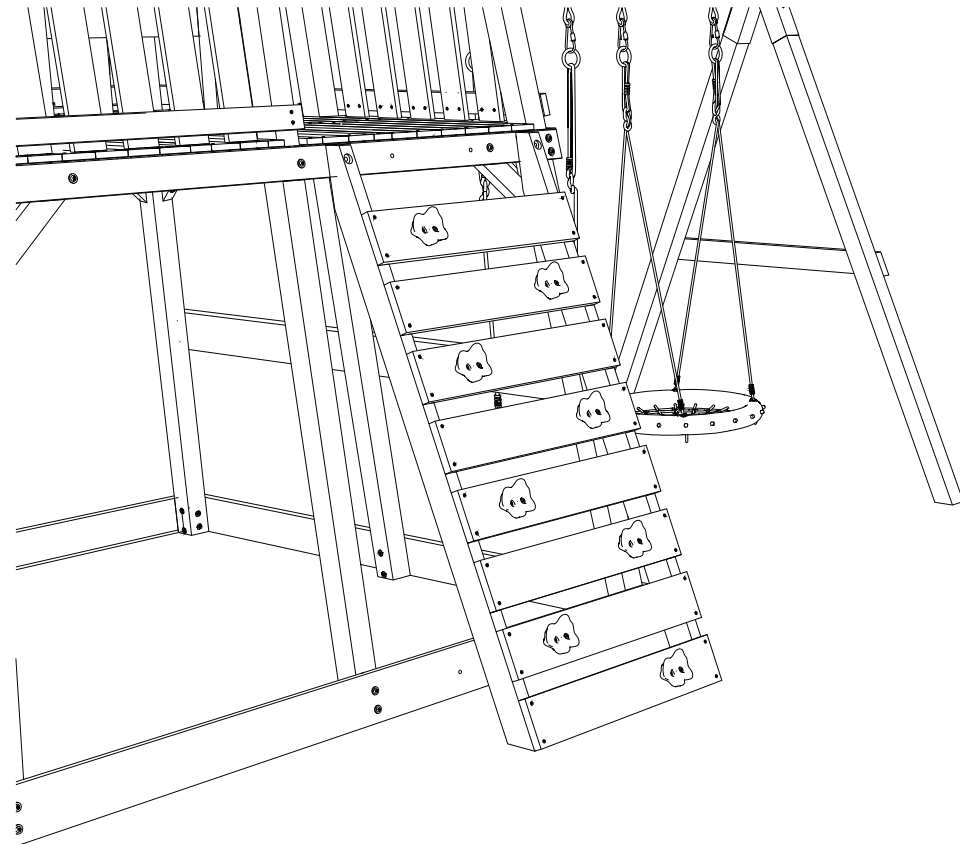
### Step 191:

Attach (6) Climbing Wall Boards (S08) using (24) Screws (SW50). Alternate the locations of the Climbing Rocks. Note: Leave a 2.5in gap between the Boards.



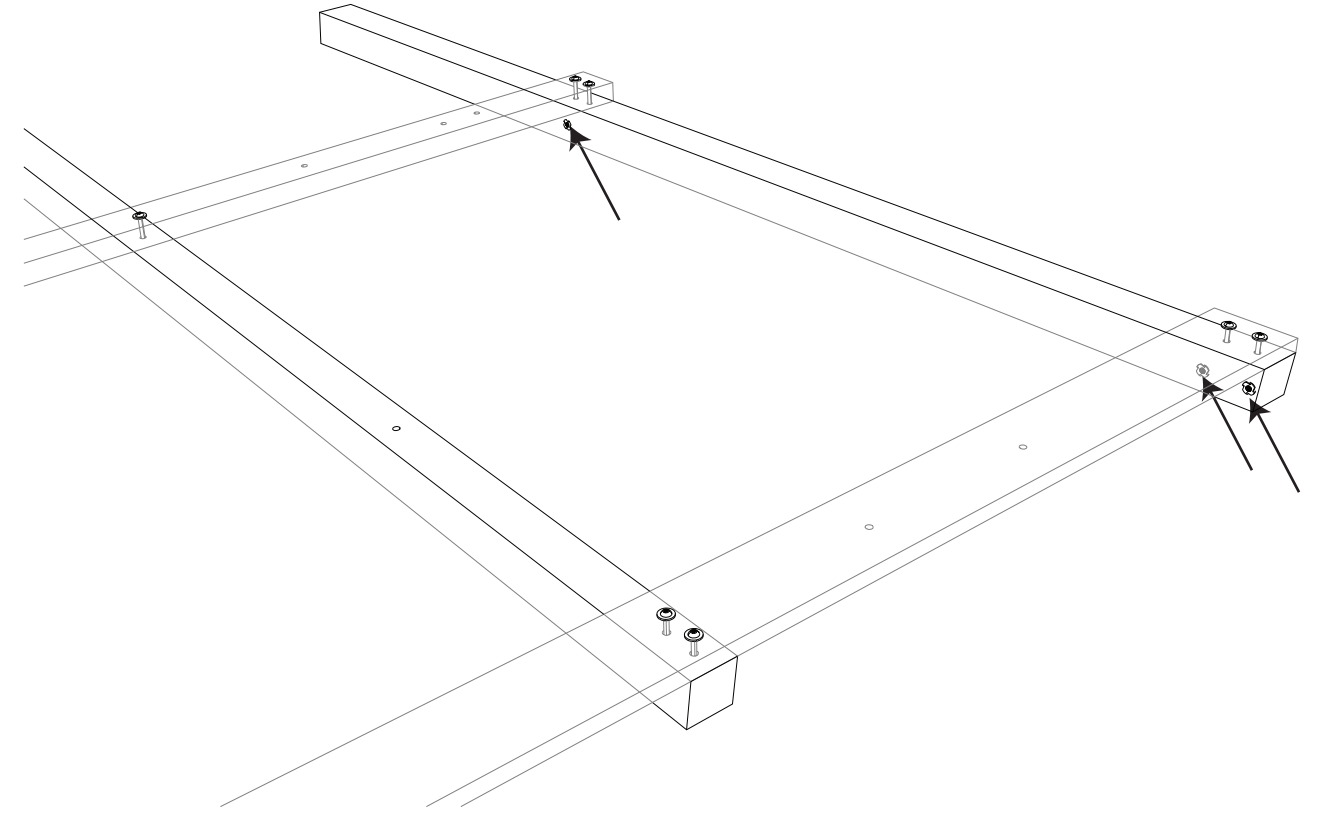
### Step 192:

Align the Rock Wall Assembly with Floor Rail (K06).



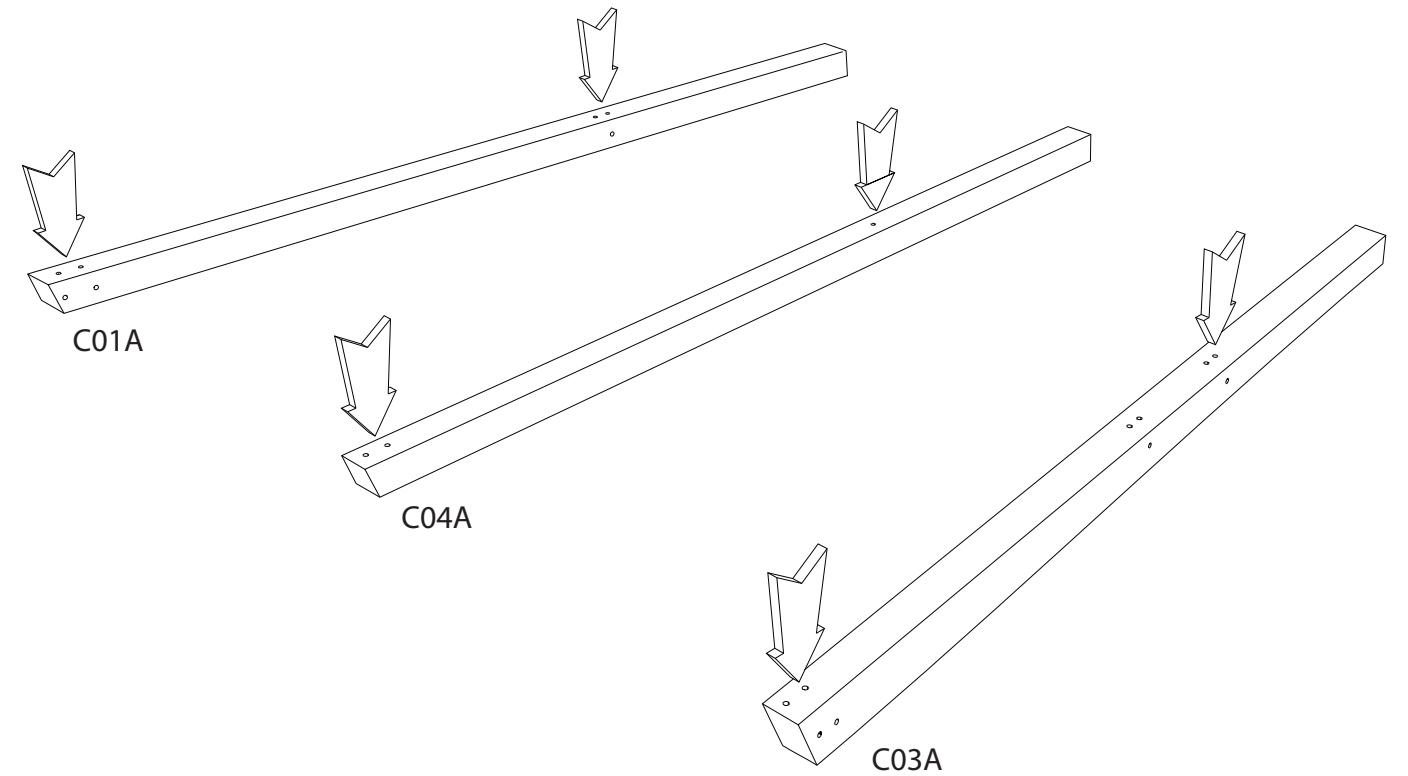
### Step 17:

Insert (3) Nuts (NM815) into Tower Leg (C02A).



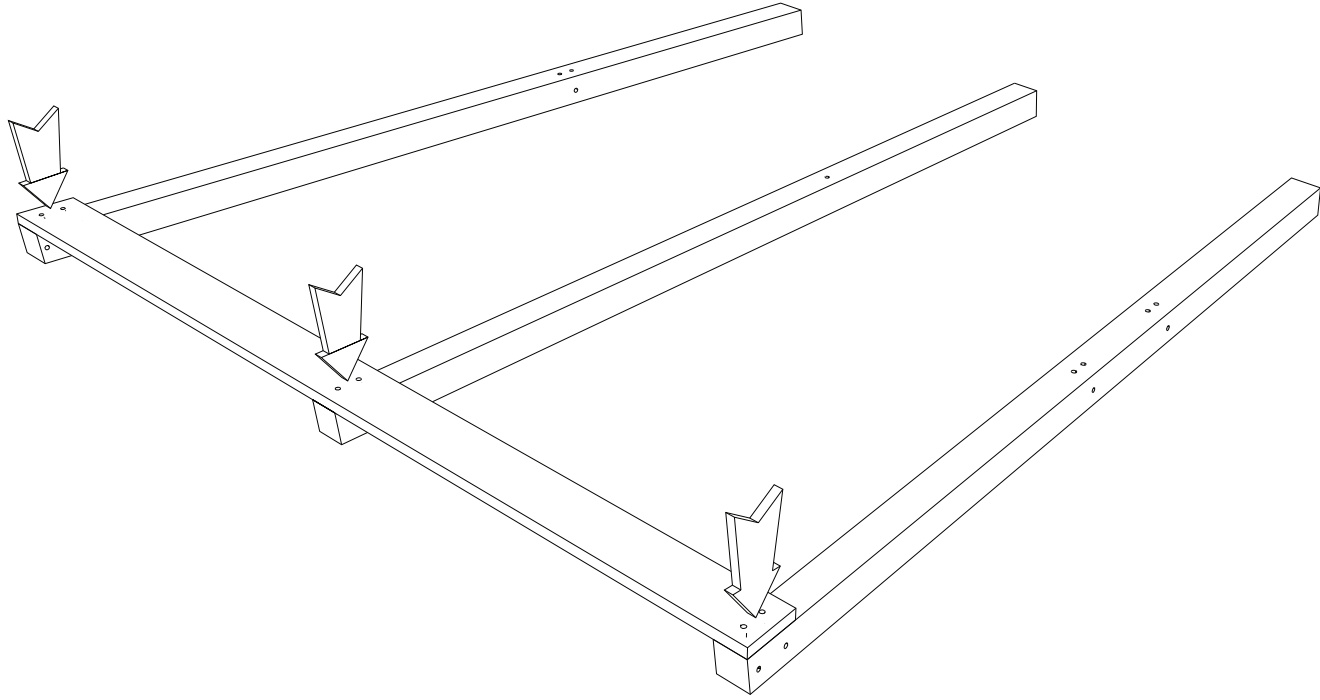
### Step 18:

Lay out Tower Legs (C01A), (C04A), and (C03A) as shown. The bottom ends of each of the Tower Legs should have (2) large predrilled holes facing up. The holes should all be the same distance apart. Tower Legs (C01A) and (C02A) should have (2) large predrilled holes toward the upper ends facing up.



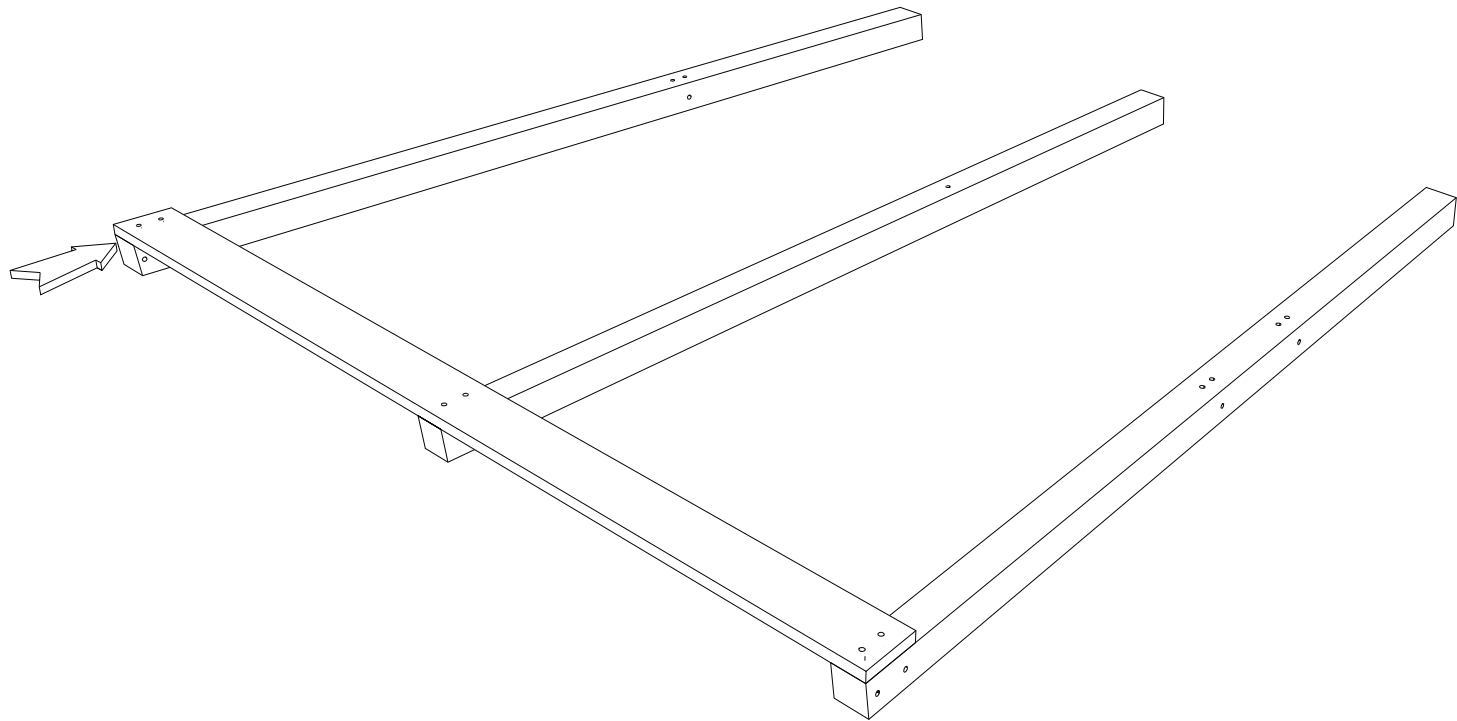
### Step 19:

Place (1) Base Board (S04) across the bottom of the Tower Legs. Make sure the predrilled holes are aligned. The bottom edge of each Tower Leg is angled. Ensure the angled edges of the Tower Legs are facing the same direction.



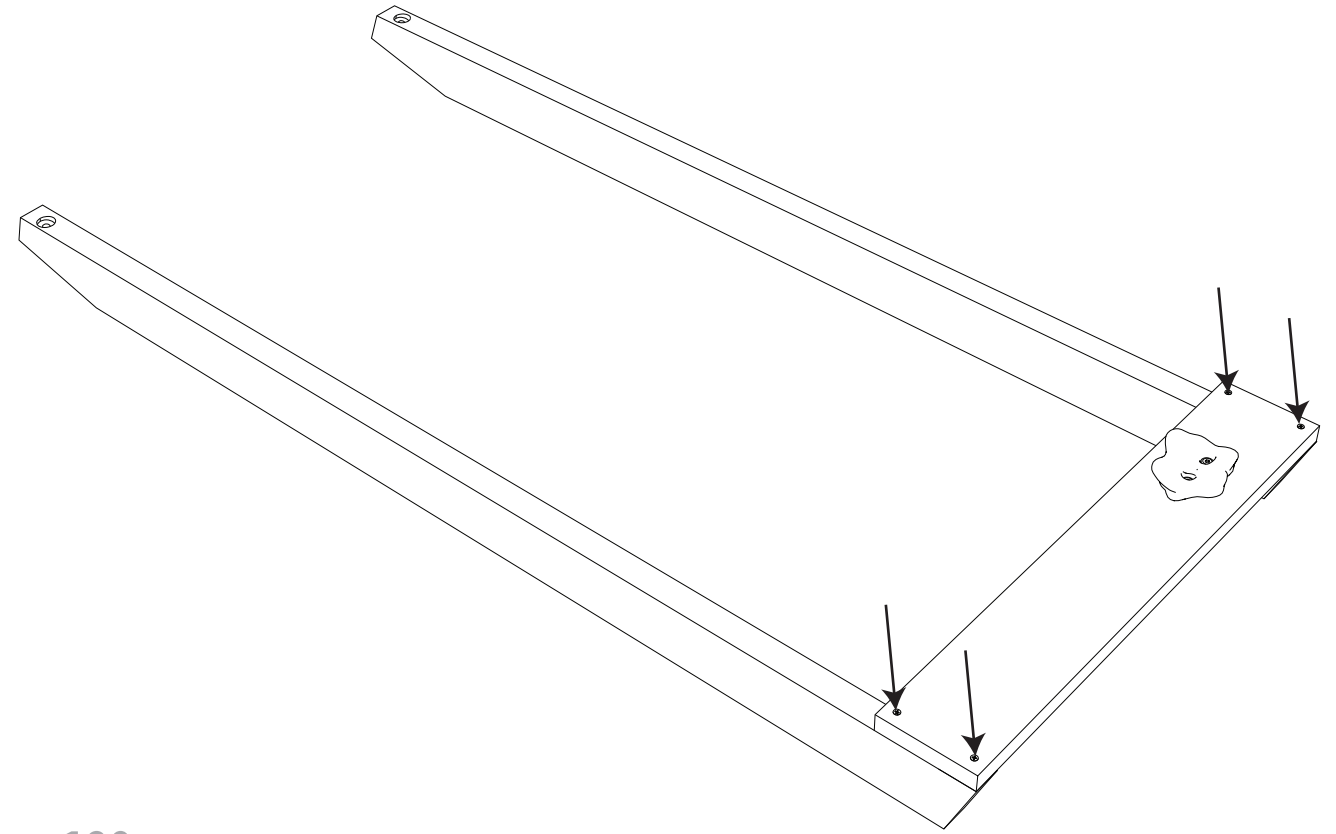
### Step 20:

The Base Board and the Tower Leg must be flush along both the side and bottom edges.



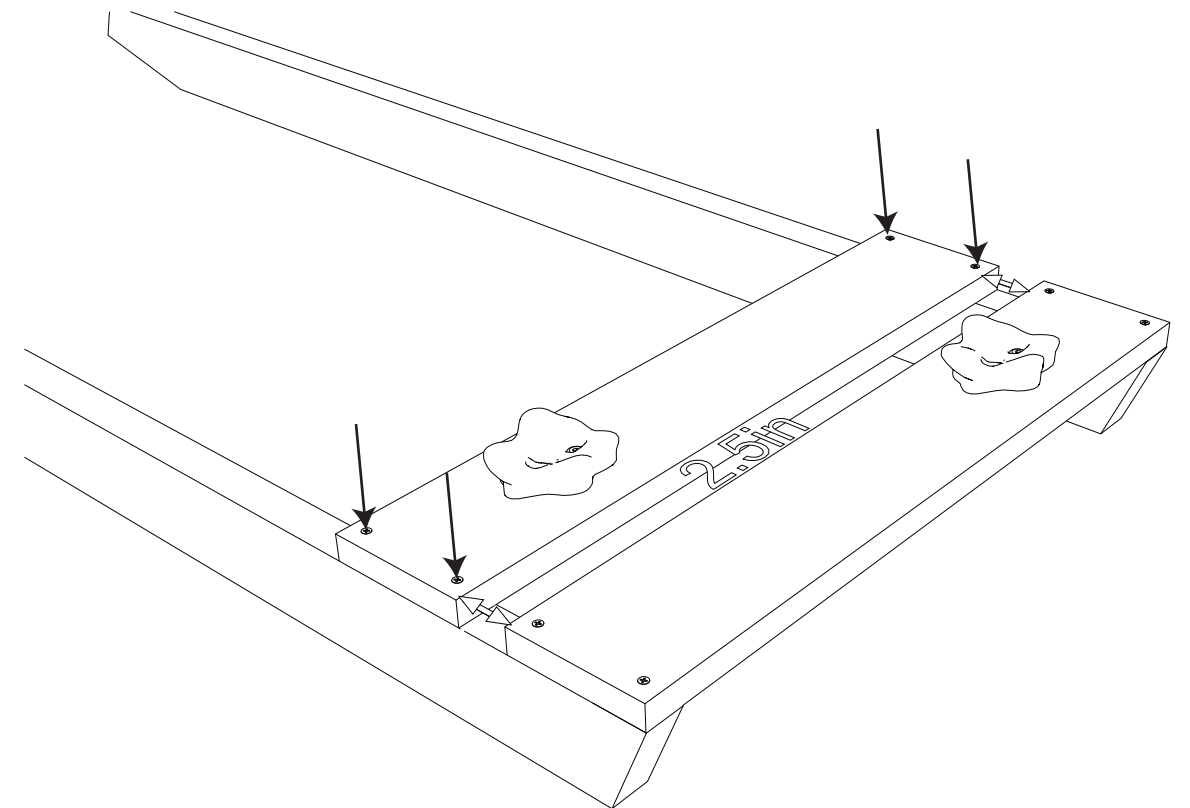
### Step 189:

Attach (1) Climbing Wall Board (S08) using (4) Screws (SW50). Ensure the bottom edge is flush with the Climbing Wall Frames.



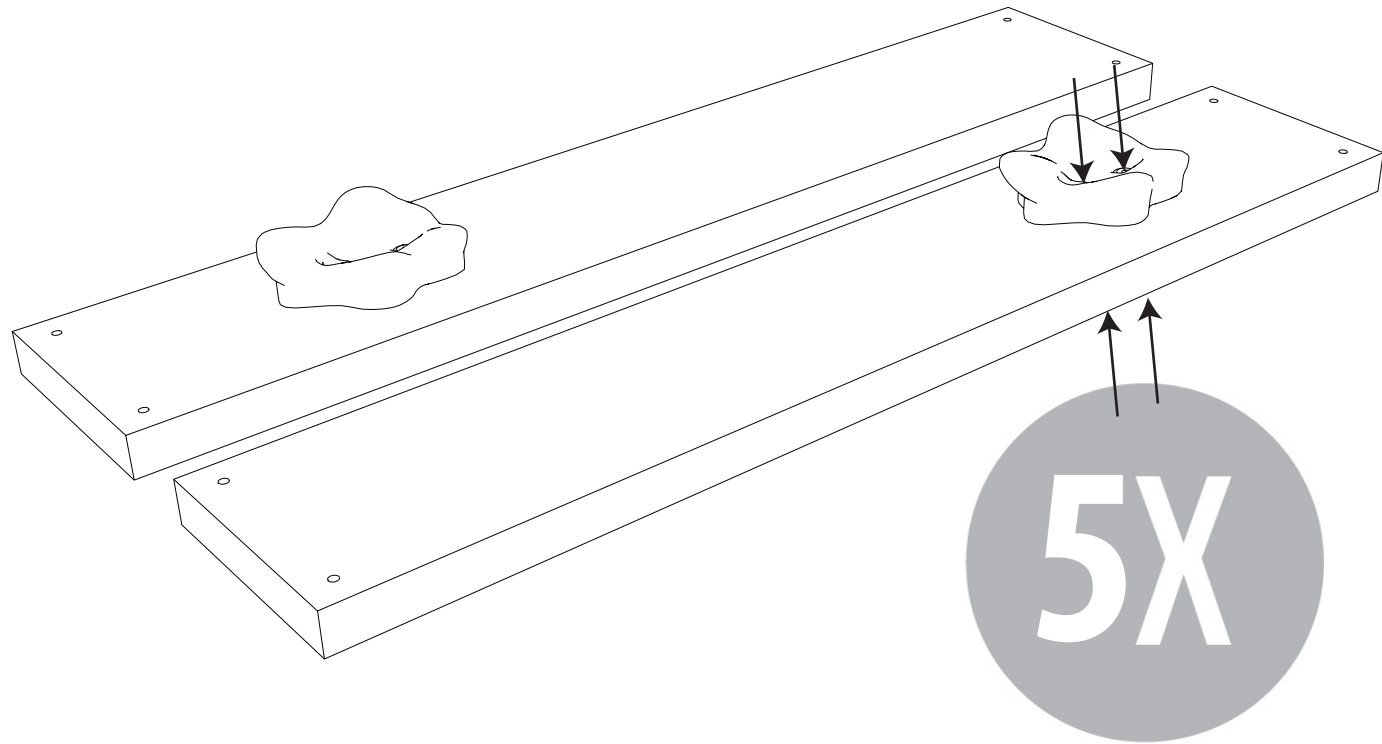
### Step 190:

Attach (1) Climbing Wall Board with the Climbing Rock on the other side using (4) Screws (SW50). Note: Leave a 2.5in gap between the Boards.



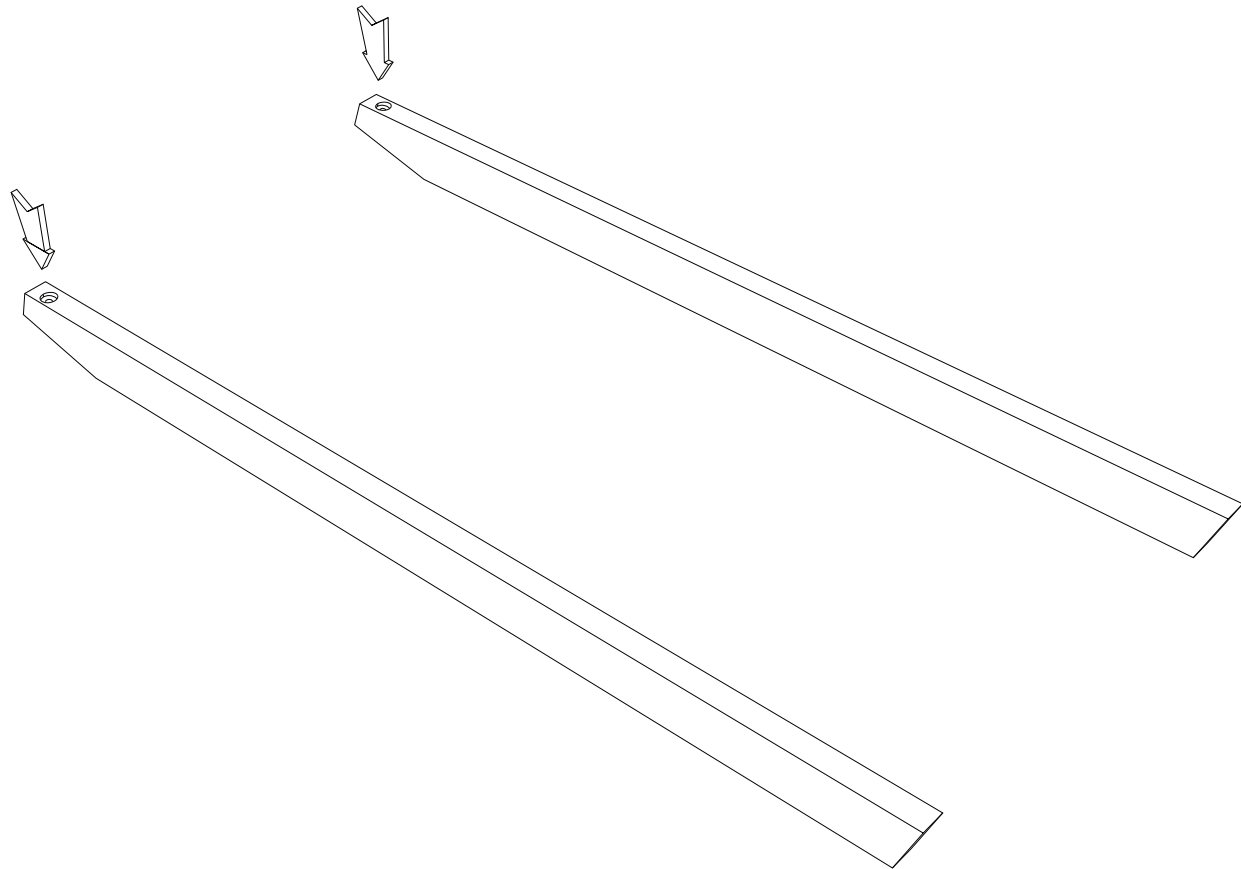
### Step 187:

Align (2) Climbing Wall Board (S08) as shown. Attach (1) Climbing Rock to the Climbing Wall Board (S08) using (2) Nuts (BM615) and (2) Bolts (M625). Complete this step 5 times.



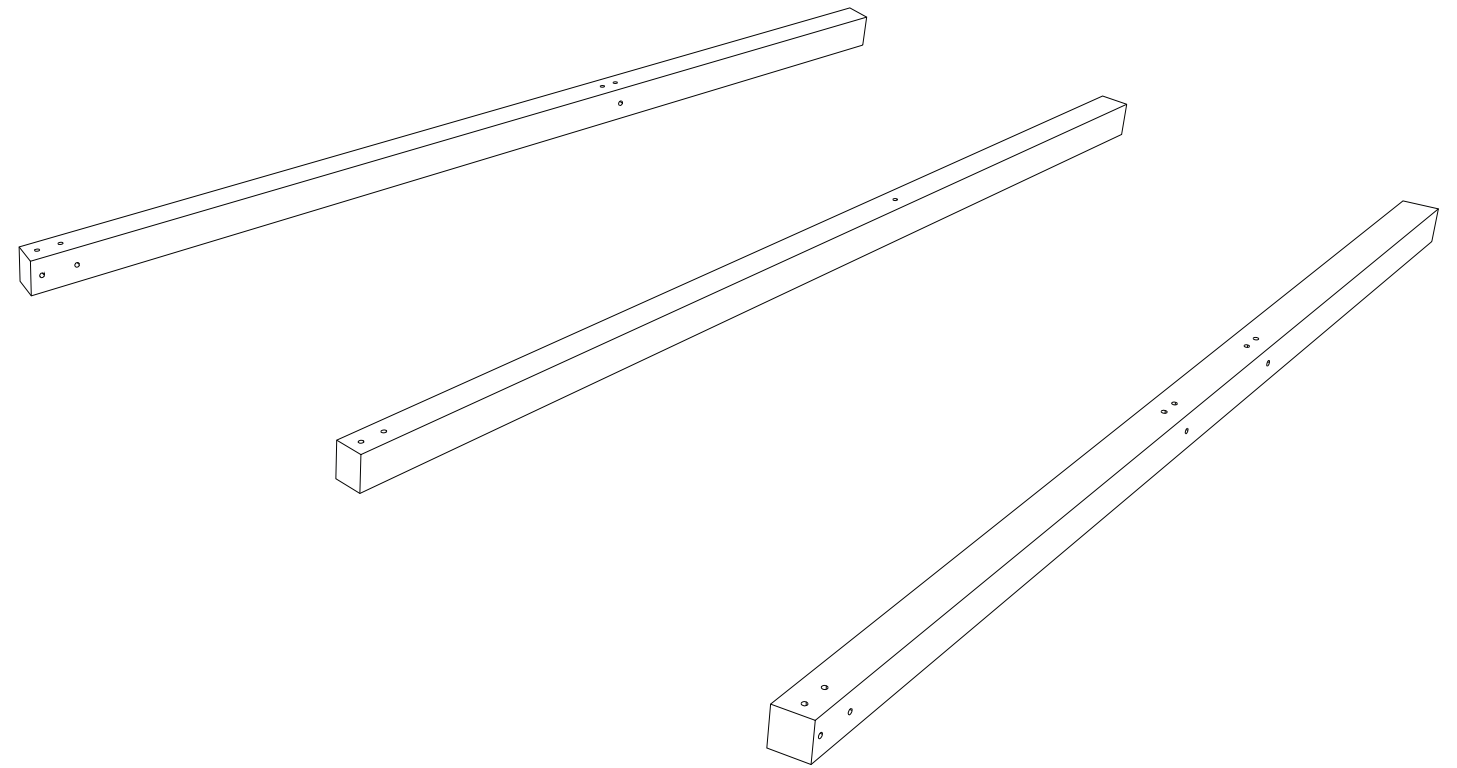
### Step 188:

Align (2) Climbing Wall Frames (K19). Note the orientation of the angled edges.



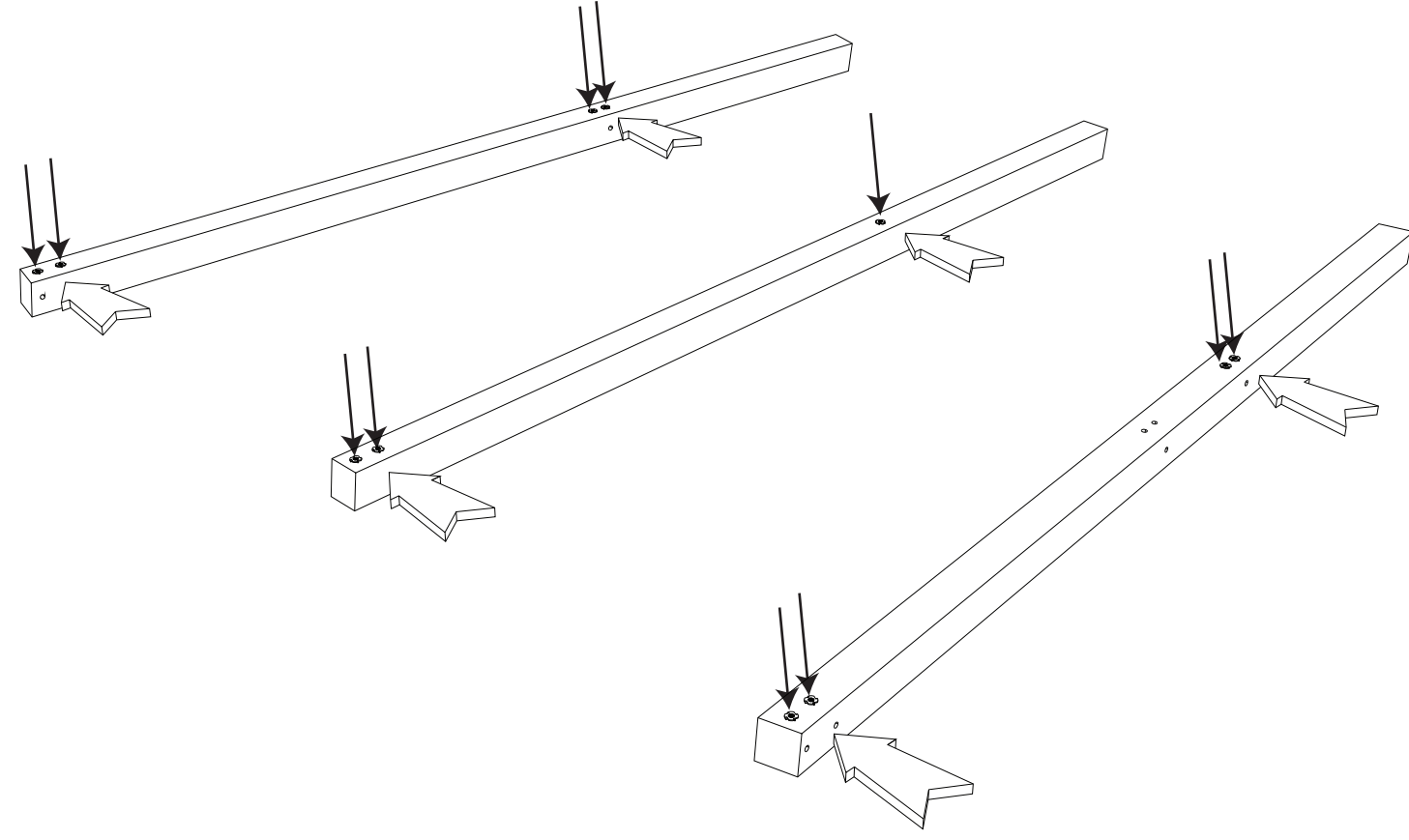
### Step 21:

Rotate all Tower Legs 180 degrees.



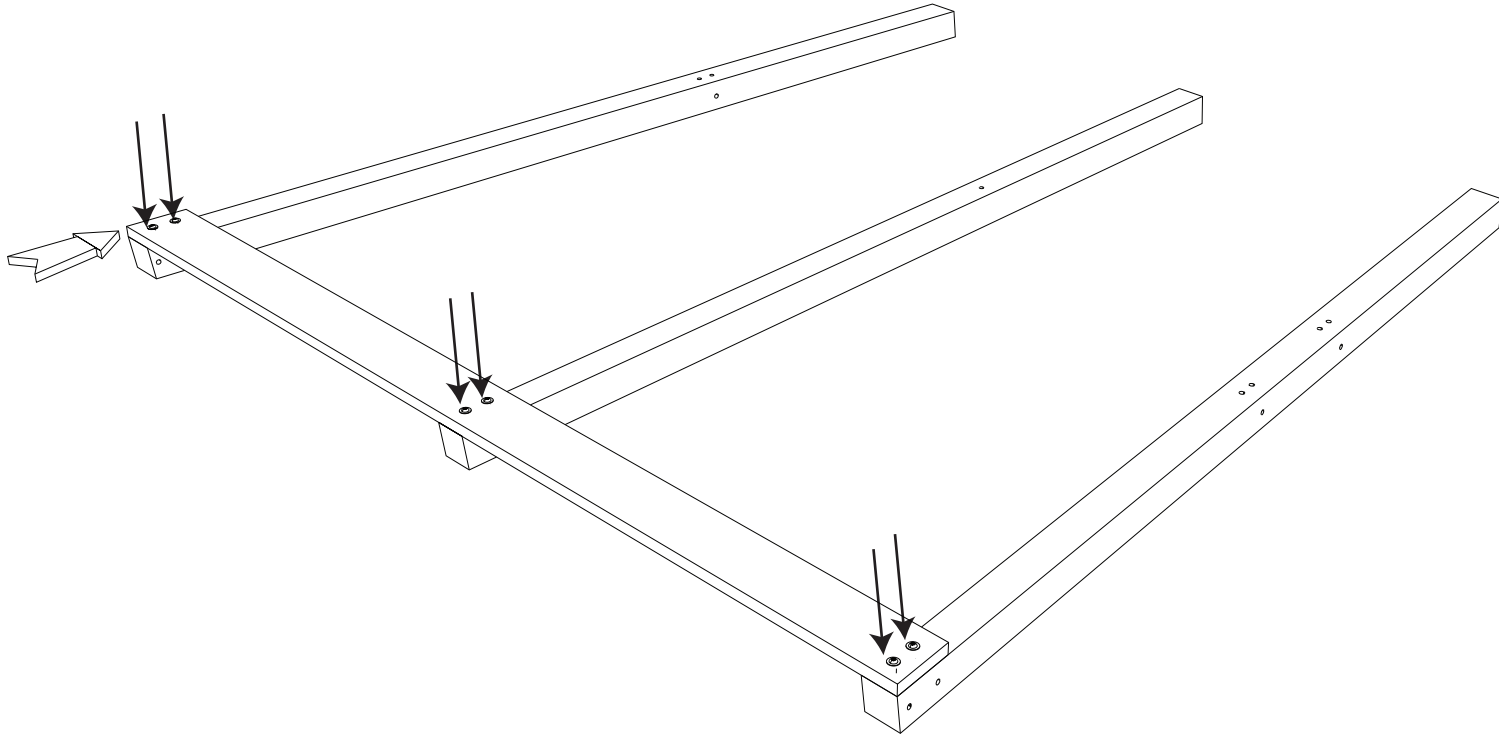
### Step 22:

Insert (11) Nuts (NM815) into the Tower Legs as shown.



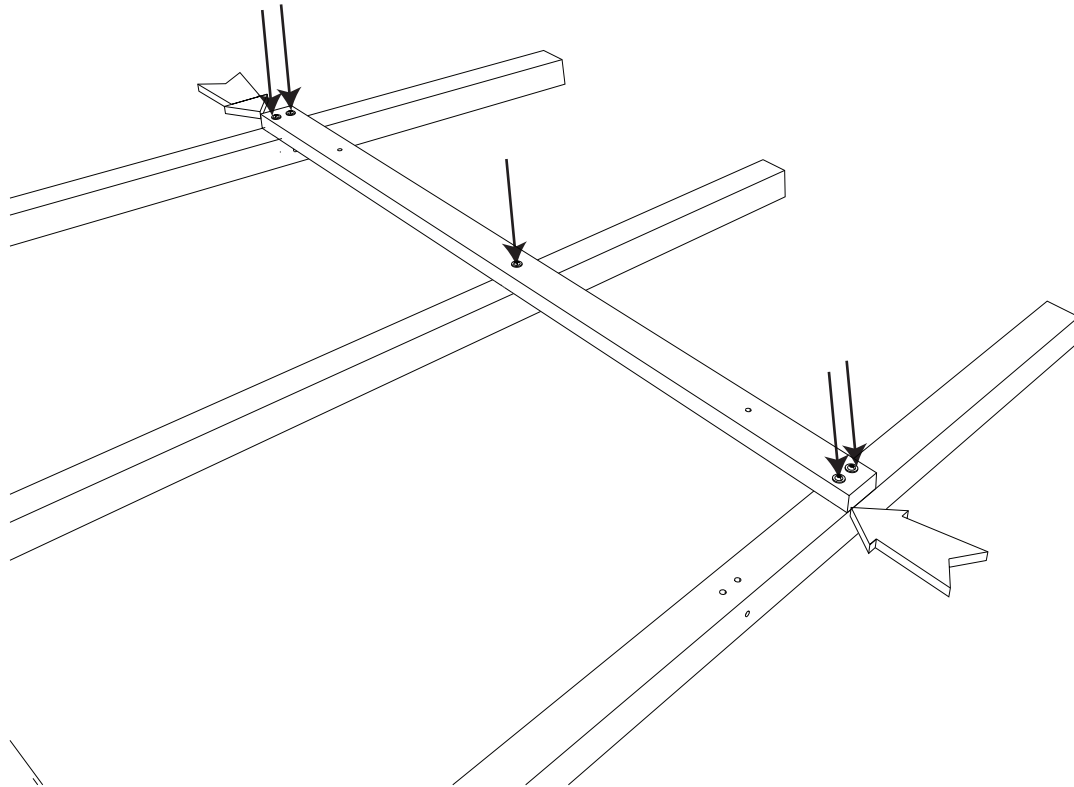
### Step 23:

Rotate the Tower Legs so the Nuts are on the ground. Align Base Board (S04) with the predrilled holes. The bottom edges and side edges of the Base Board must be flush with the Tower Legs. Attach the Base Board using (6) Bolts (M896).



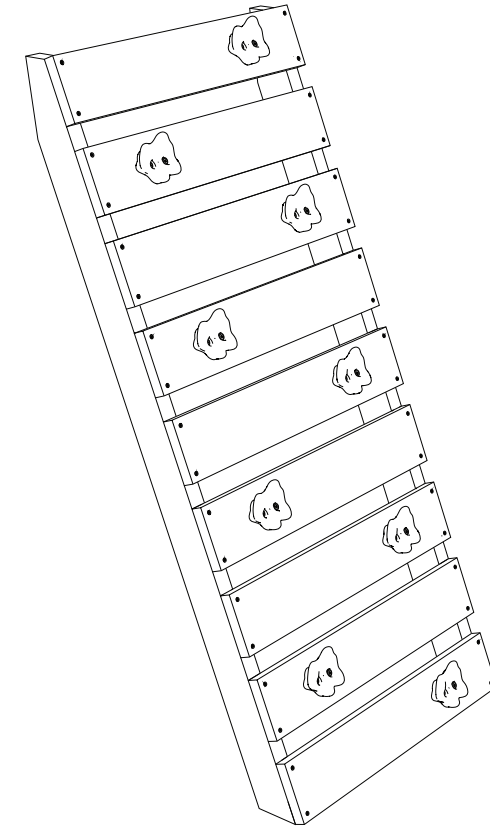
### Step 24:

Align (1) Floor Rail (K06) with the Tower Legs. The ends of the Floor Rail must be flush with Tower Legs (C01A) and (C03A). The sloped edge of the Floor Rail must face the tops of the Tower Legs. The flat edge of the Floor Rail must face the Base Board. Attach the Floor Rail using (5) Bolts (M8107).



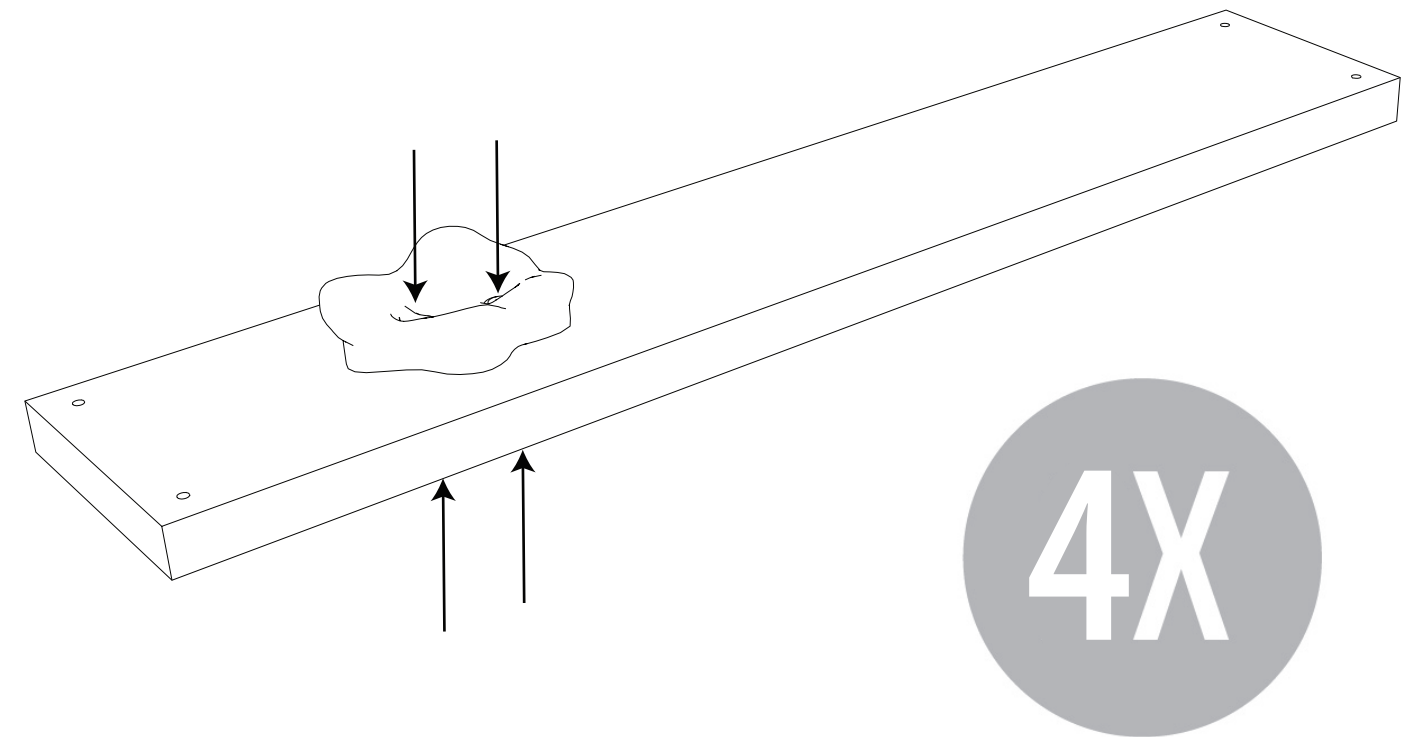
### Step 185:

The following steps will guide you through the Rock Wall Assembly.



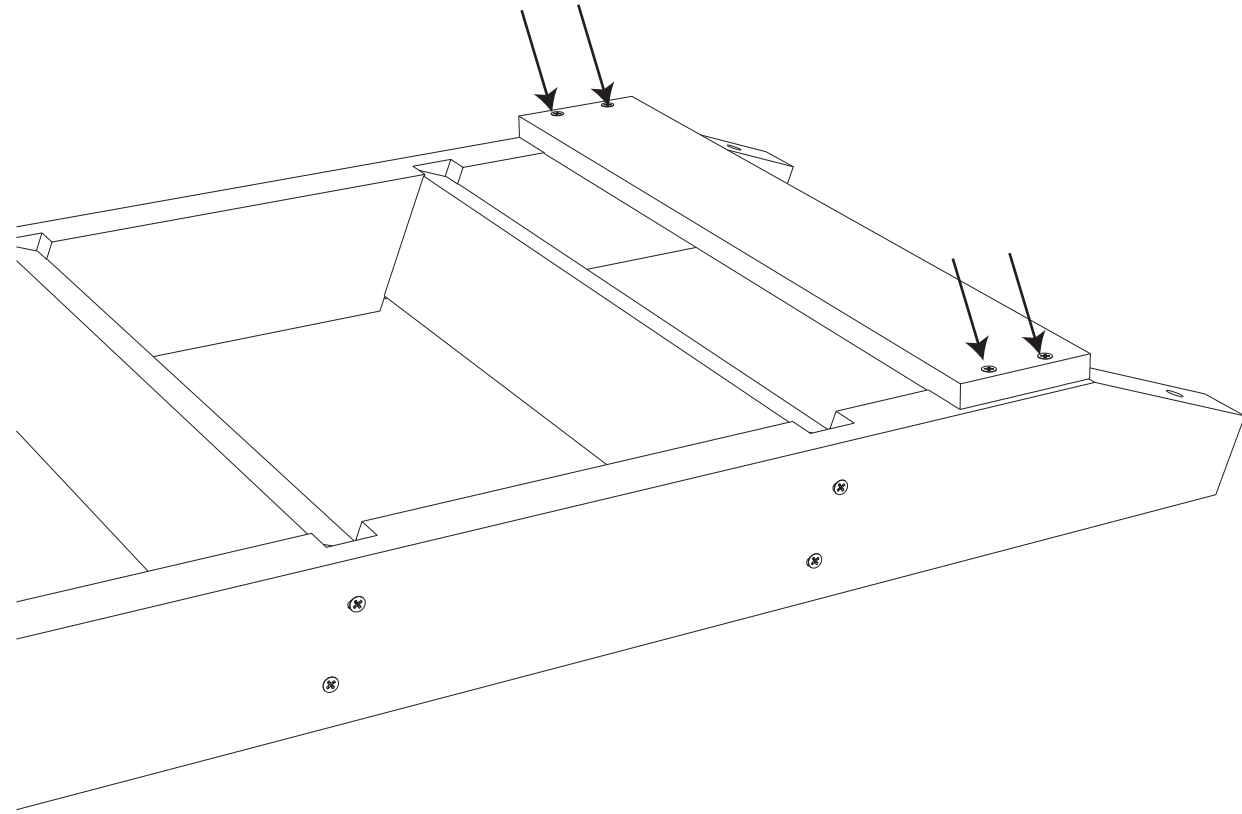
### Step 186:

Attach (1) Climbing Rock to (1) Climbing Wall Board (S08) using (2) Nuts (BM615) and (2) Bolts (M625). Complete this step 4 times.



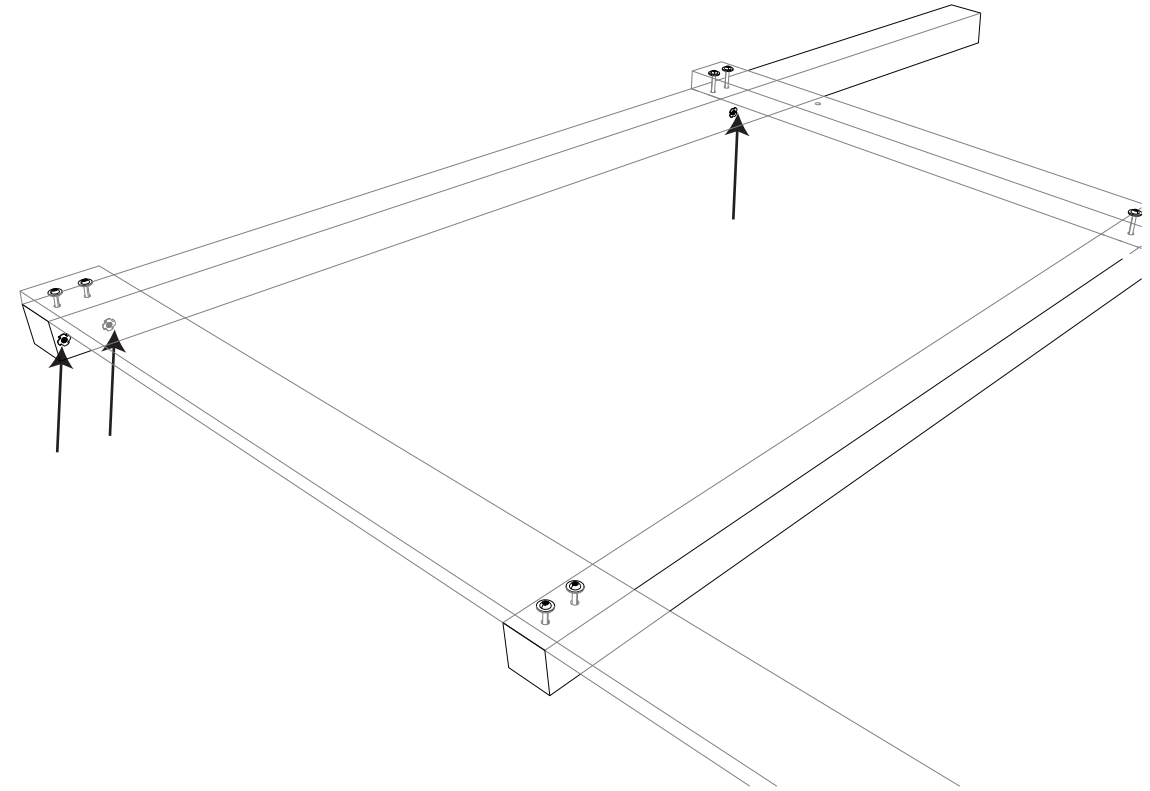
### Step 183:

Attach (1) Rear Board (W23) to the Uprights using (4) Screws (SW50).



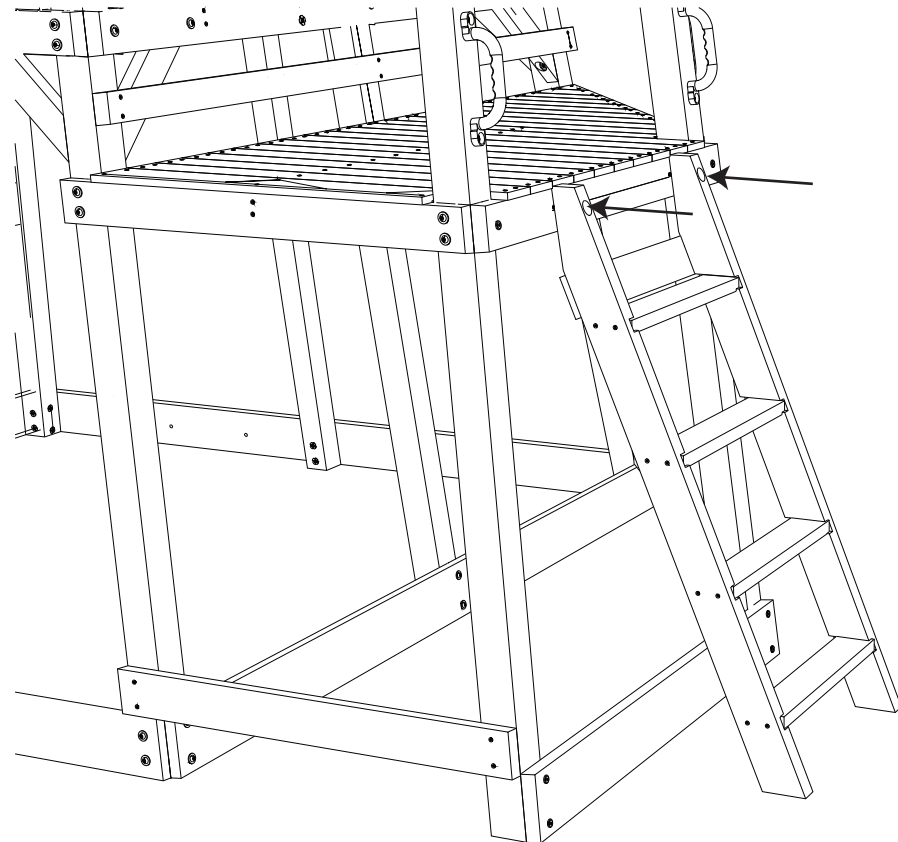
### Step 25:

Insert (3) Nuts (NM815) into Tower Leg (C01A).



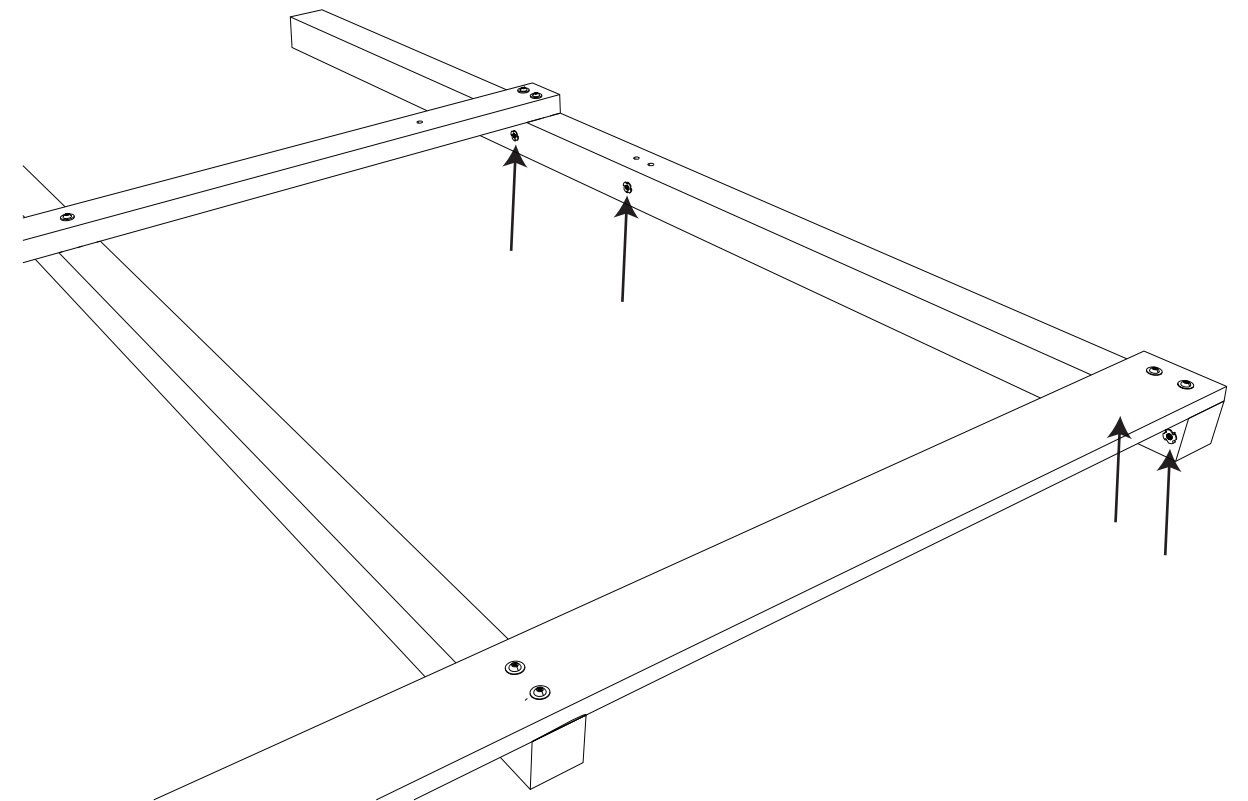
### Step 184:

Align and attach the Ladder to Small Deck Floor Rail (K02) using (2) Screws (M8SW60).



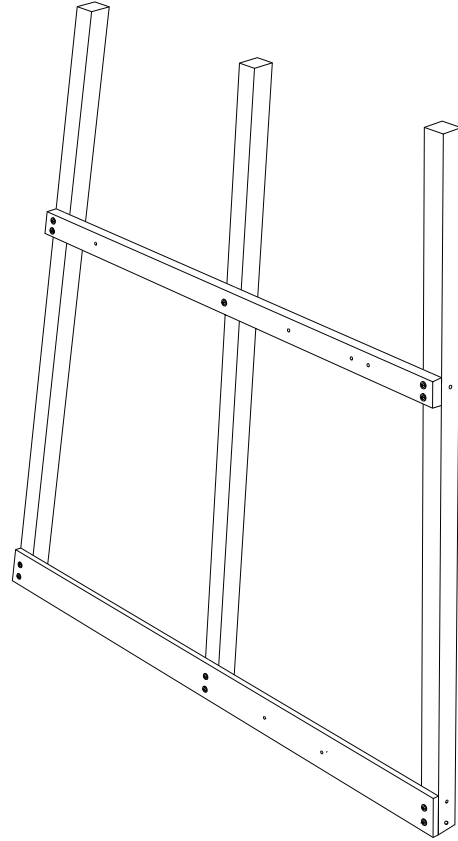
### Step 26:

Insert (4) Nuts (NM815) into Tower Leg (C03A).



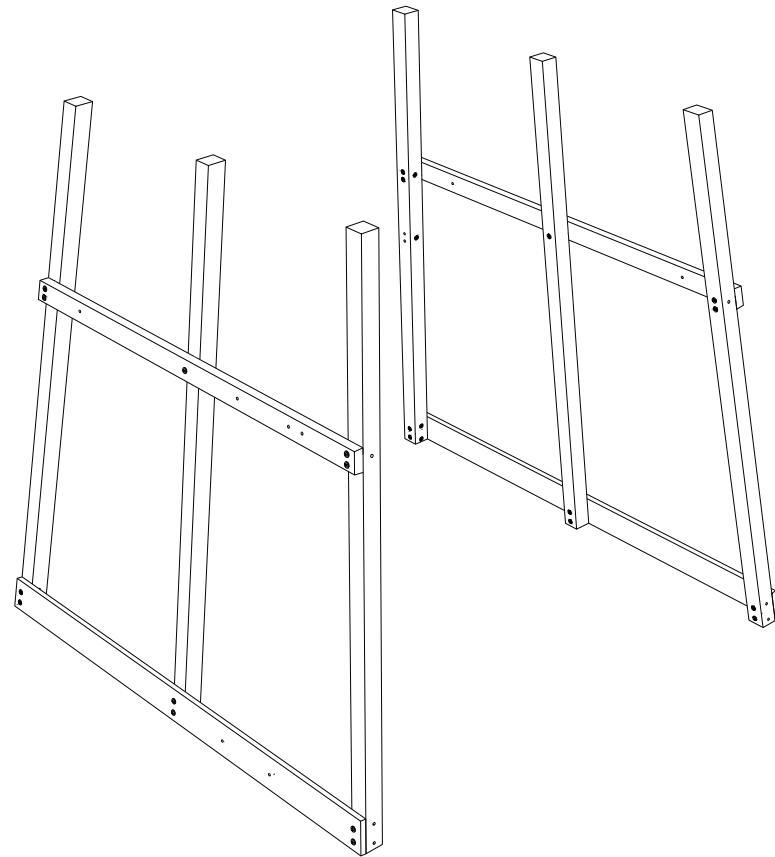
### Step 27:

Carefully stand the Tower Leg (C02A) Assembly upright.



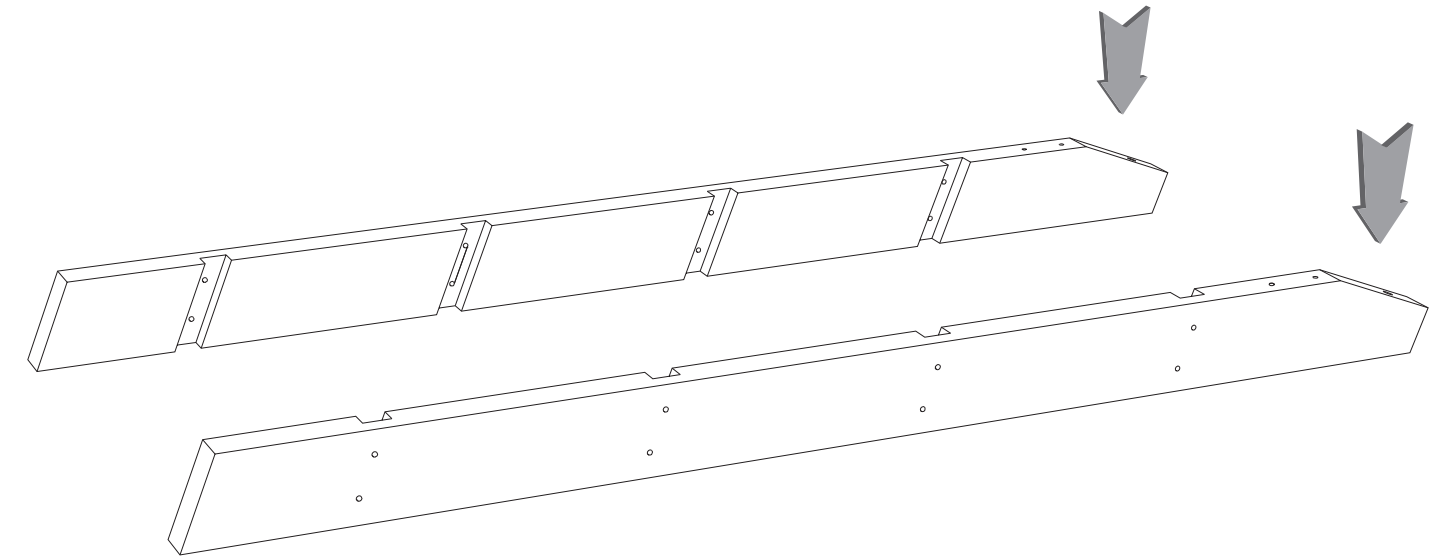
### Step 28:

Carefully stand and align the Tower Leg (C03A) Assembly with the Tower Leg (C02A) Assembly.



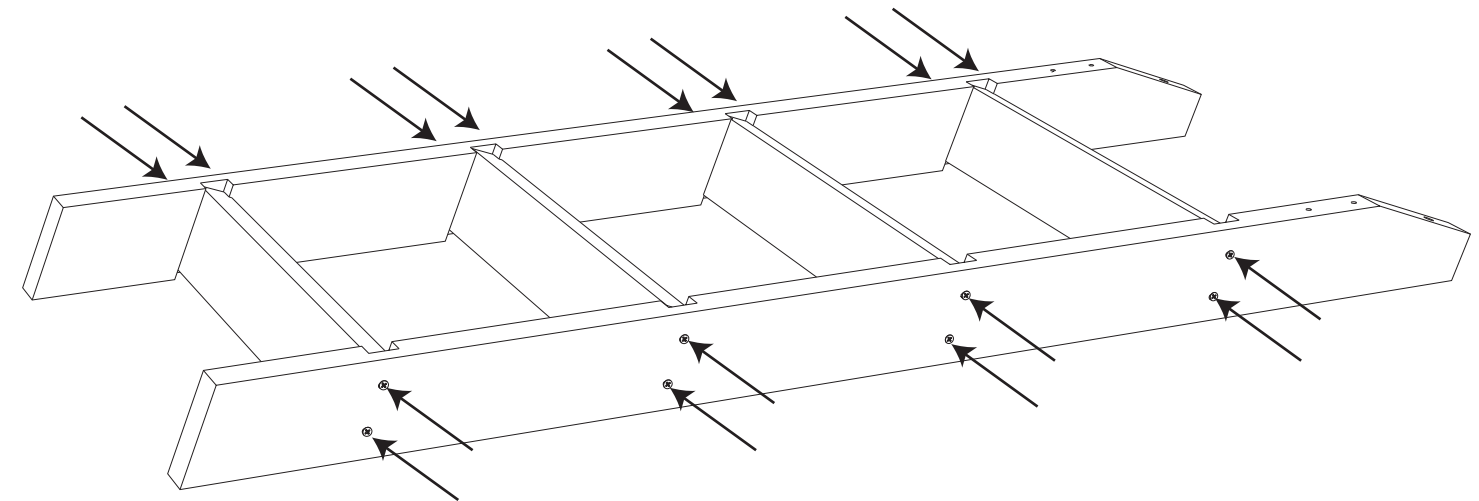
### Step 181:

Align Left Upright (K20A) with Right Upright (K21A). Note the location of the angled edges.



### Step 182:

Insert (4) Wood Rungs (F23) into the grooves of the Left and Right Uprights. Attach the Wood Rungs using (16) Screws (SW50).

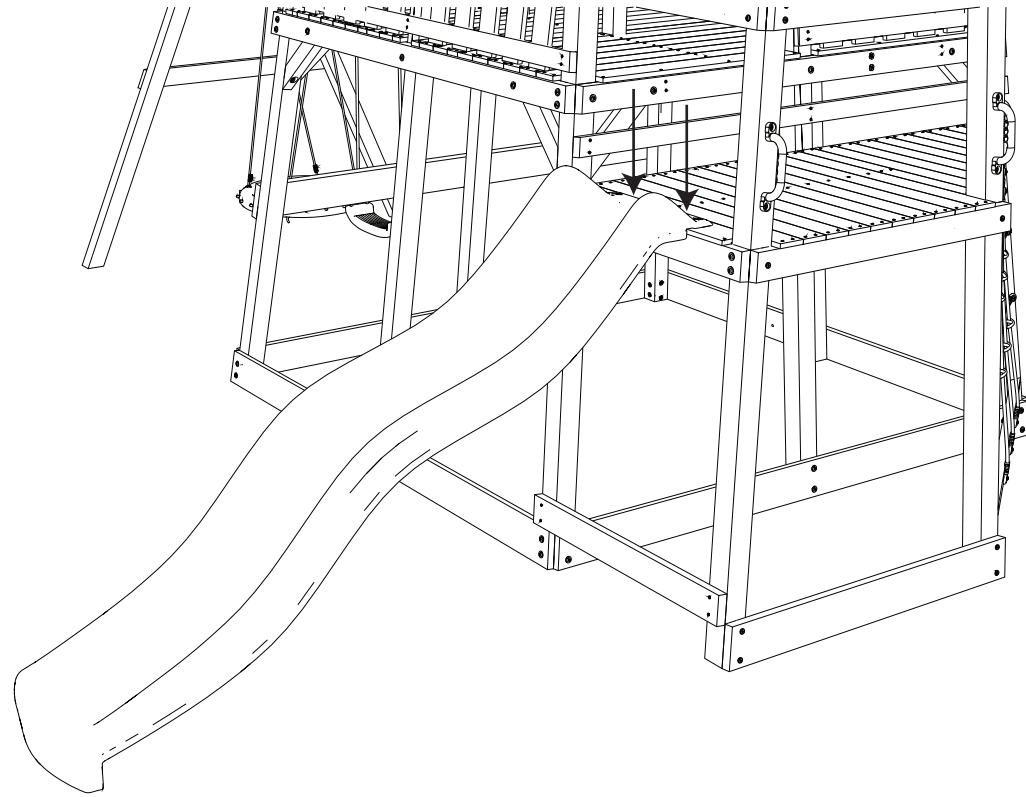




### Step 179:

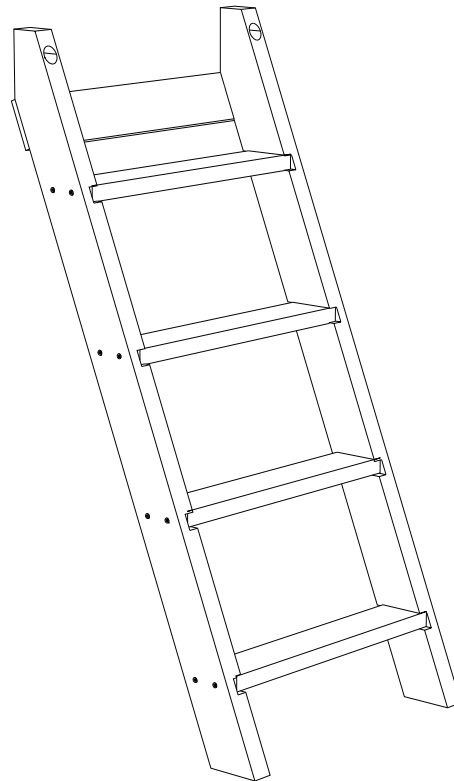
Attach the Slide to Small Deck Floorboard (W12A) using (2) Screws (SW50).

▲ **WARNING:** Do not lift the Slide up or pull the Slide aside after assembly.



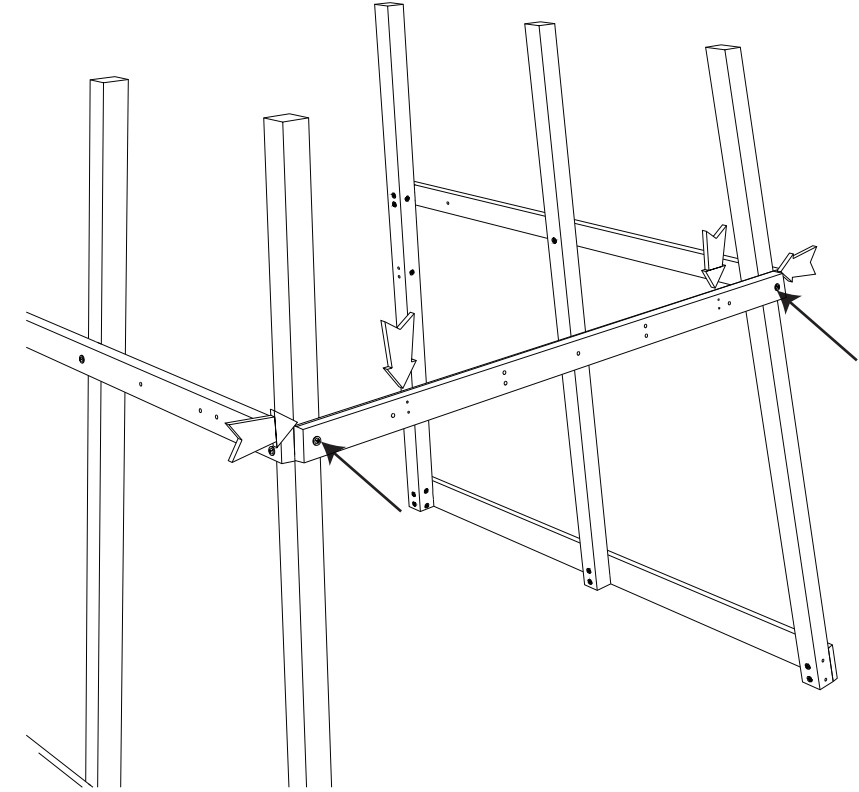
### Step 180:

The following steps will guide you through the Ladder Assembly.



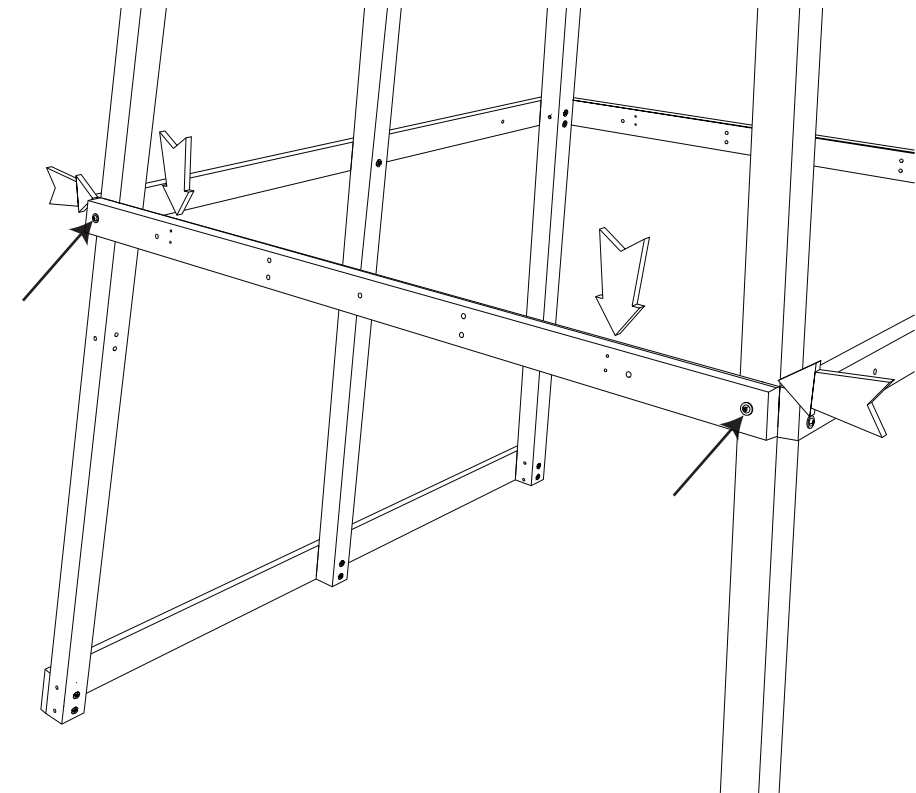
### Step 29:

Attach (1) Floor Rail (K08) to Tower Legs (C02A) and (C01A) using (2) Bolts (M8107). The edges of the Floor Rail should be flush with the edges of the Tower Legs. The small pilot holes must be oriented toward the top edge of the Floor Rail.



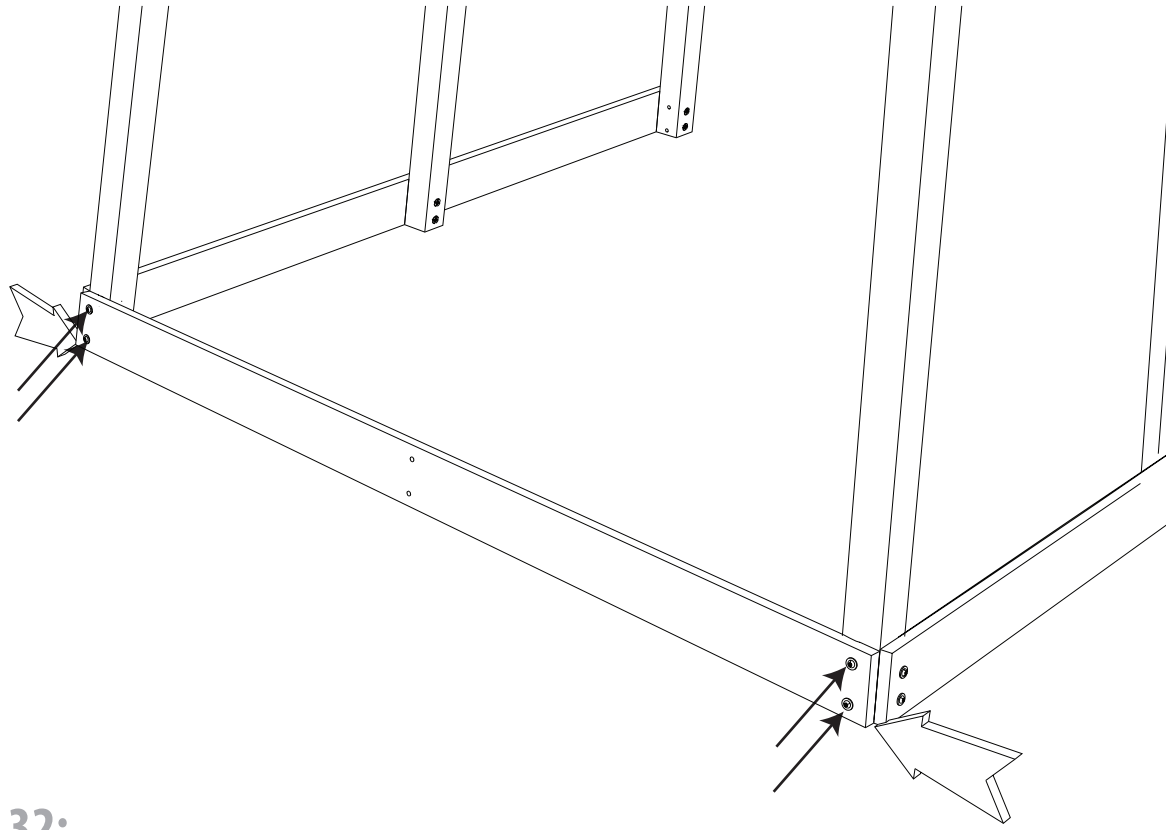
### Step 30:

Attach (1) Floor Rail (K08) to the Tower Legs (C03A) and (C01A) using (2) Bolts (M8107). The edges of the Floor Rail should be flush with the edges of the Tower Legs. The small pilot holes must be oriented toward the top edge of the Floor Rail.



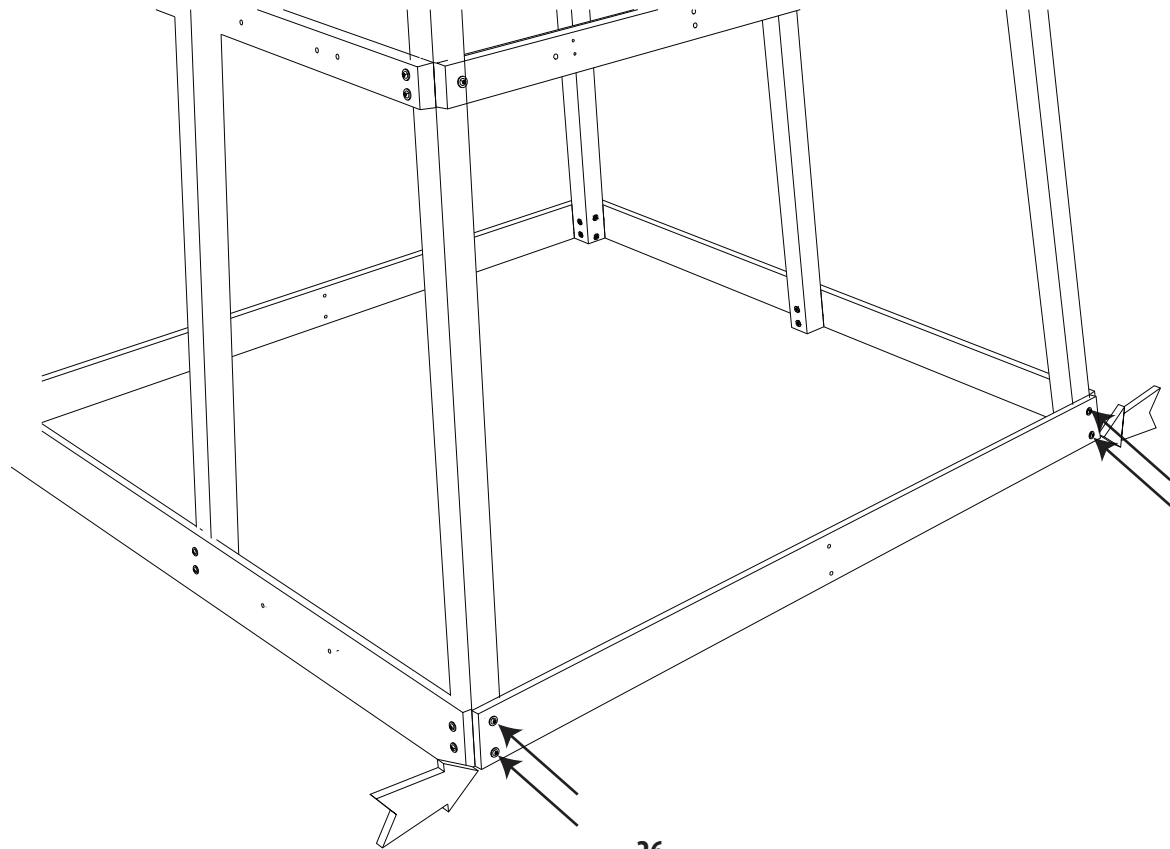
### Step 31:

Attach (1) Base Board (S03) to the Tower Legs (C03A) and (C01A) using (4) Bolts (M896). Note the orientation of the angled edges. The Base Board must be flush with the Tower Legs.



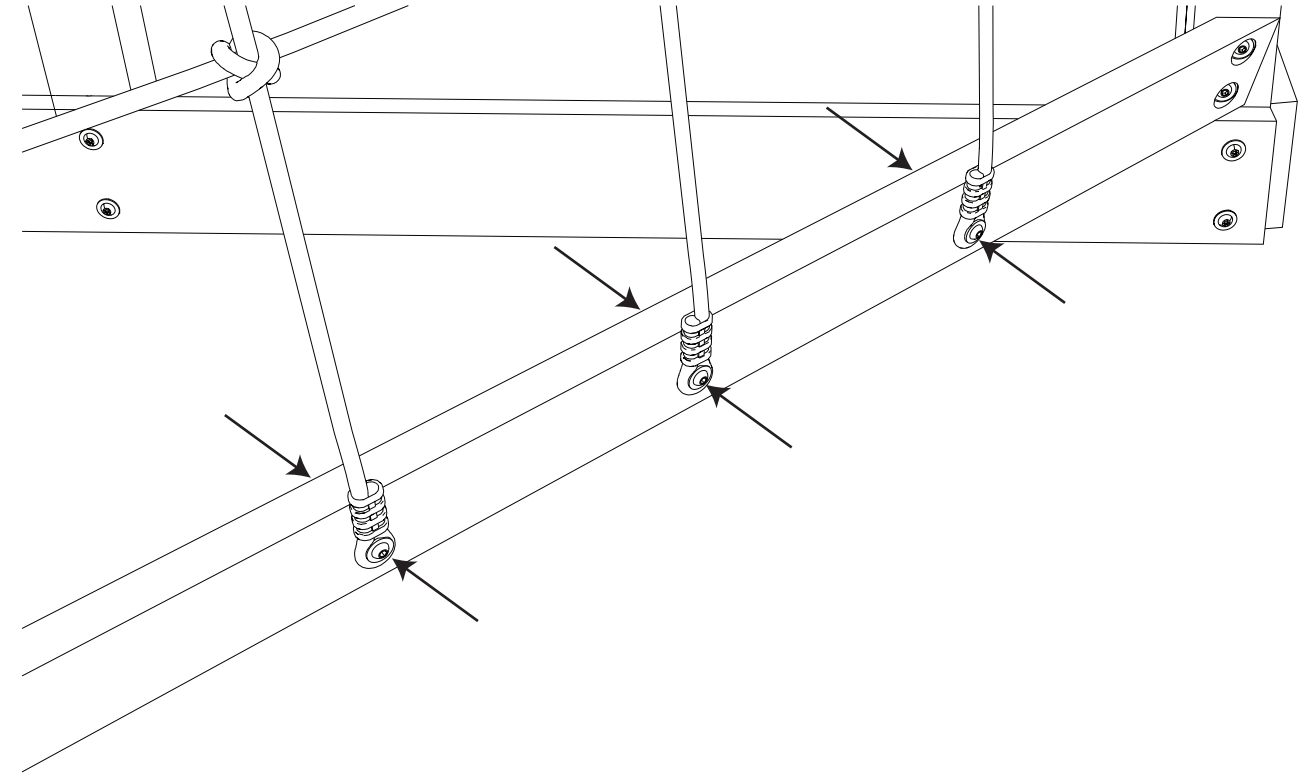
### Step 32:

Attach (1) Base Board (S03) to the Tower Legs (C02A) and (C01A) using (4) Bolts (M896). Note the orientation of the angled edges. The Base Board must be flush with the Tower Legs.



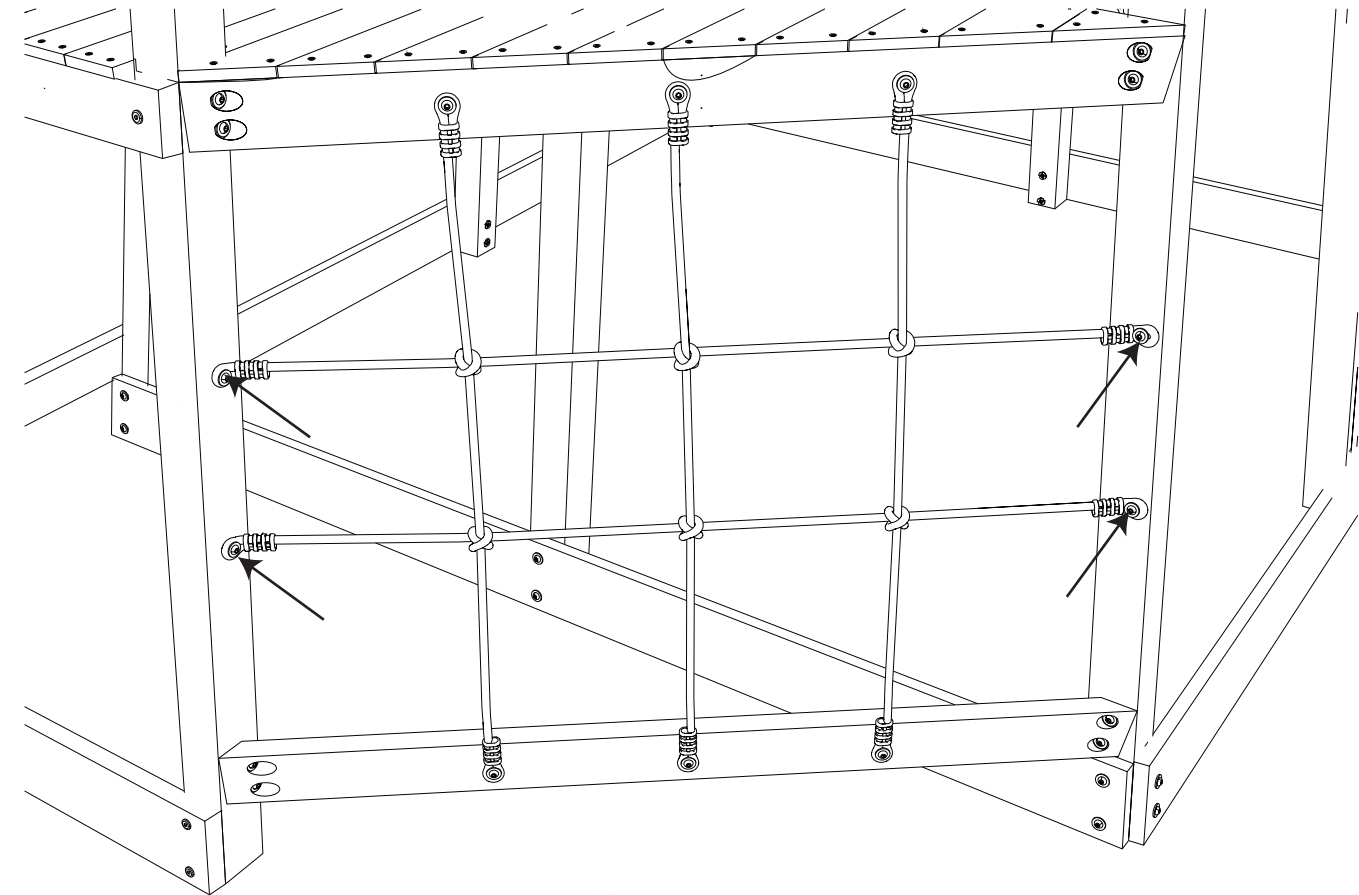
### Step 177:

Attach the bottom of the Climbing Net to Small Base Board (K22) using (3) Nuts (BM818) and (3) Bolts (M833).



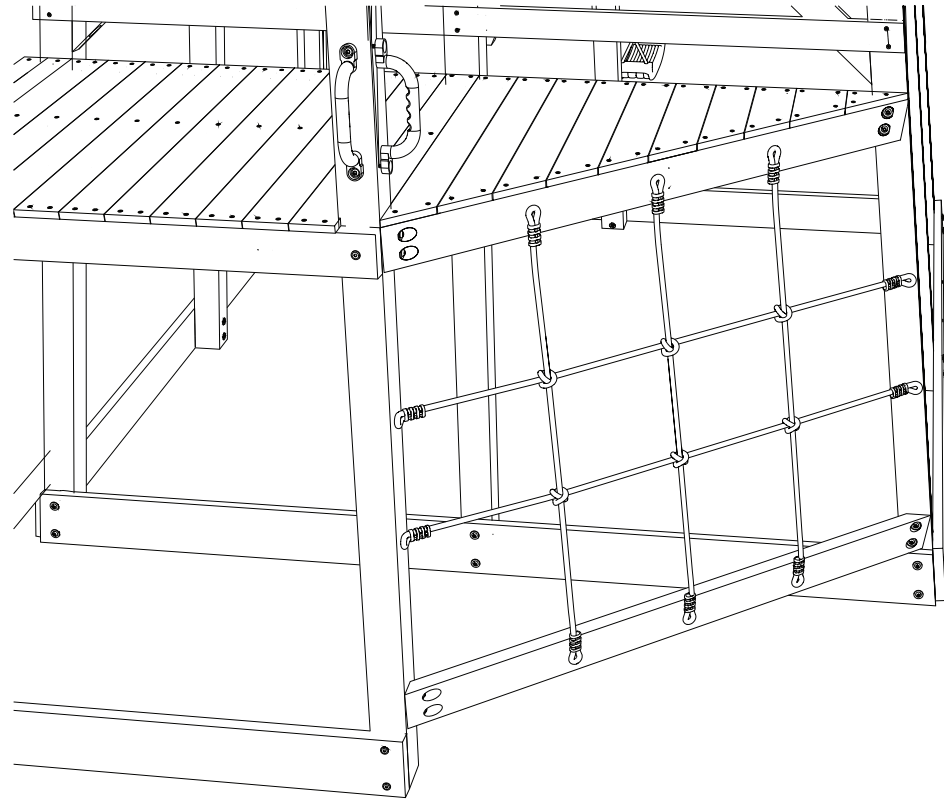
### Step 178:

Attach the sides of the Climbing Net to Small Deck Leg (C08A) and Tower Leg (C01A) using (4) Screws (M8SW50).



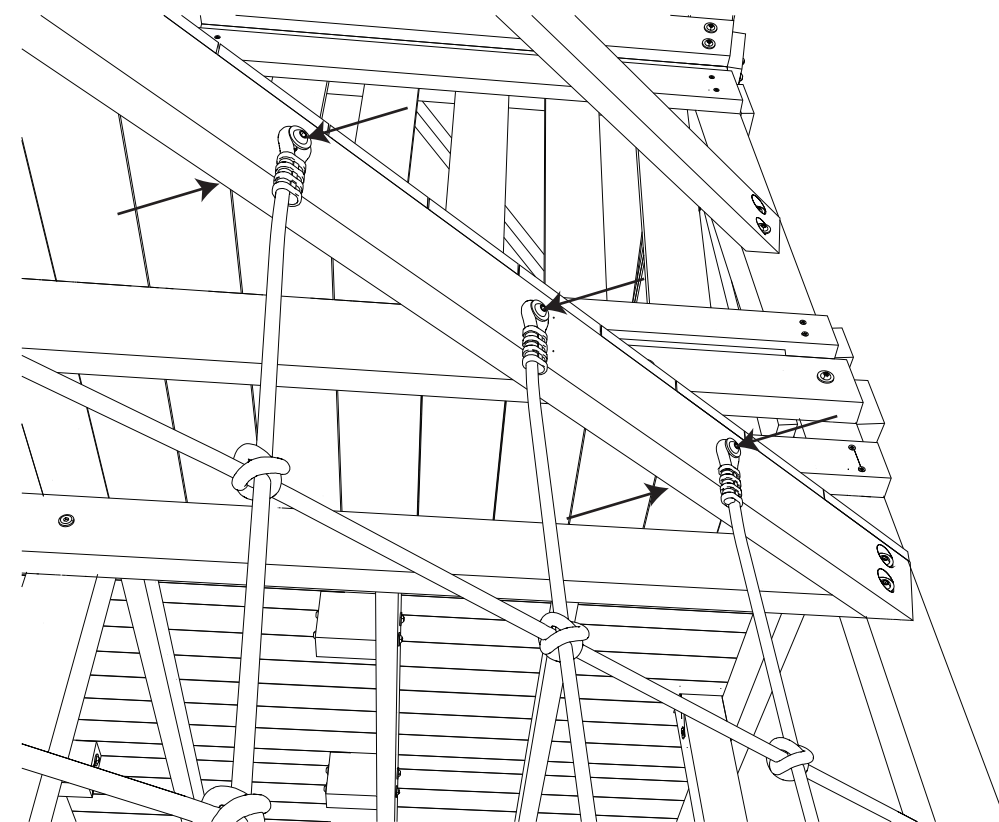
### Step 175:

Align the Climbing Net with Small Deck Floor Rail (K23) and Small Deck Base Board (K22). Double check all Ropes stretch to the appropriate places.



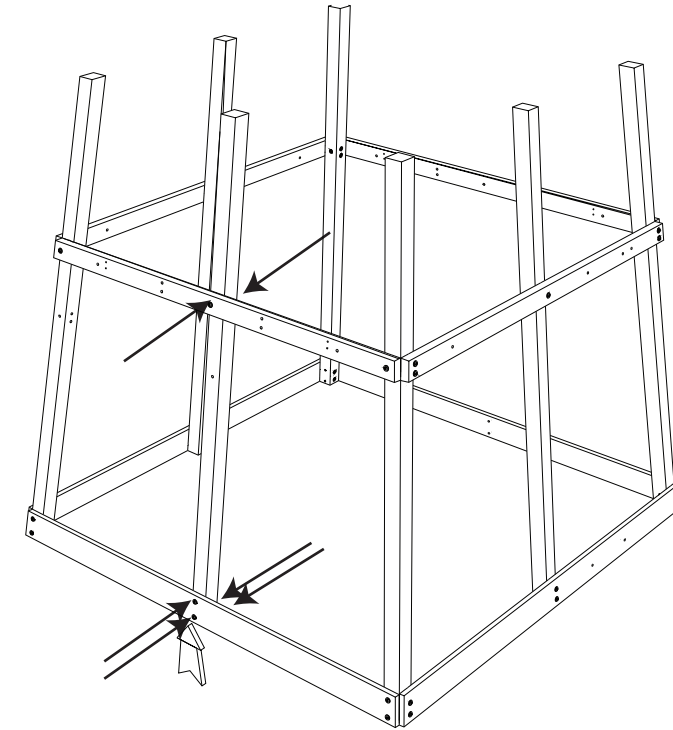
### Step 176:

Attach the top of the Climbing Net to Small Deck Floor Rail (K23) using (2) Nuts (BM818) and (3) Bolts (M833).



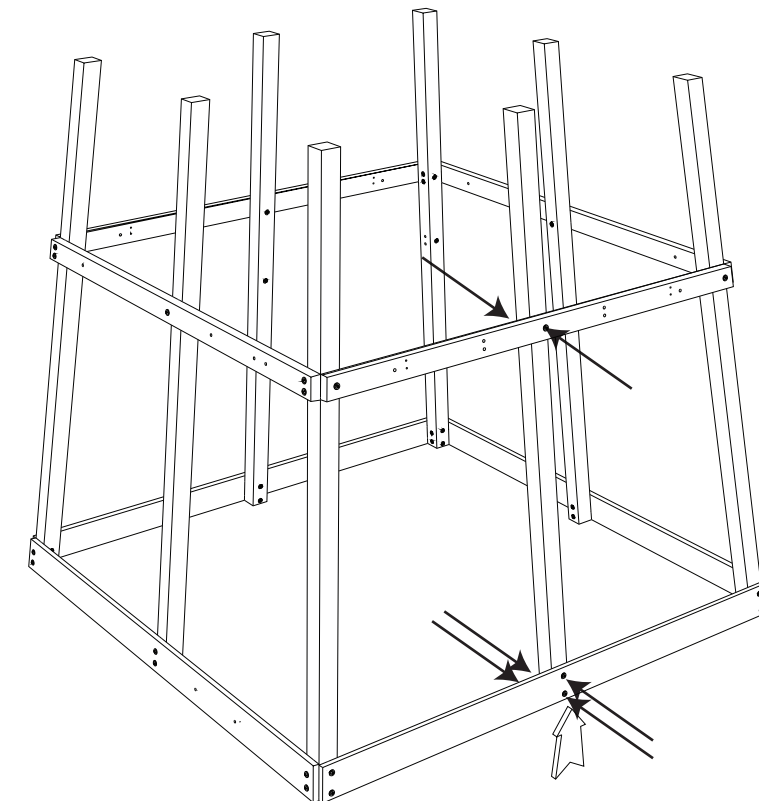
### Step 33:

Attach (1) Tower Leg (C06B) to Floor Rail (K08) using (1) Bolt (M8107) and (1) Nut (NM815). Attach the Tower Leg to Base Board (S03) using (2) Bolts (M896) and (2) Nuts (NM815). Ensure the Tower Leg is flush with the bottom edge of the Base Board.



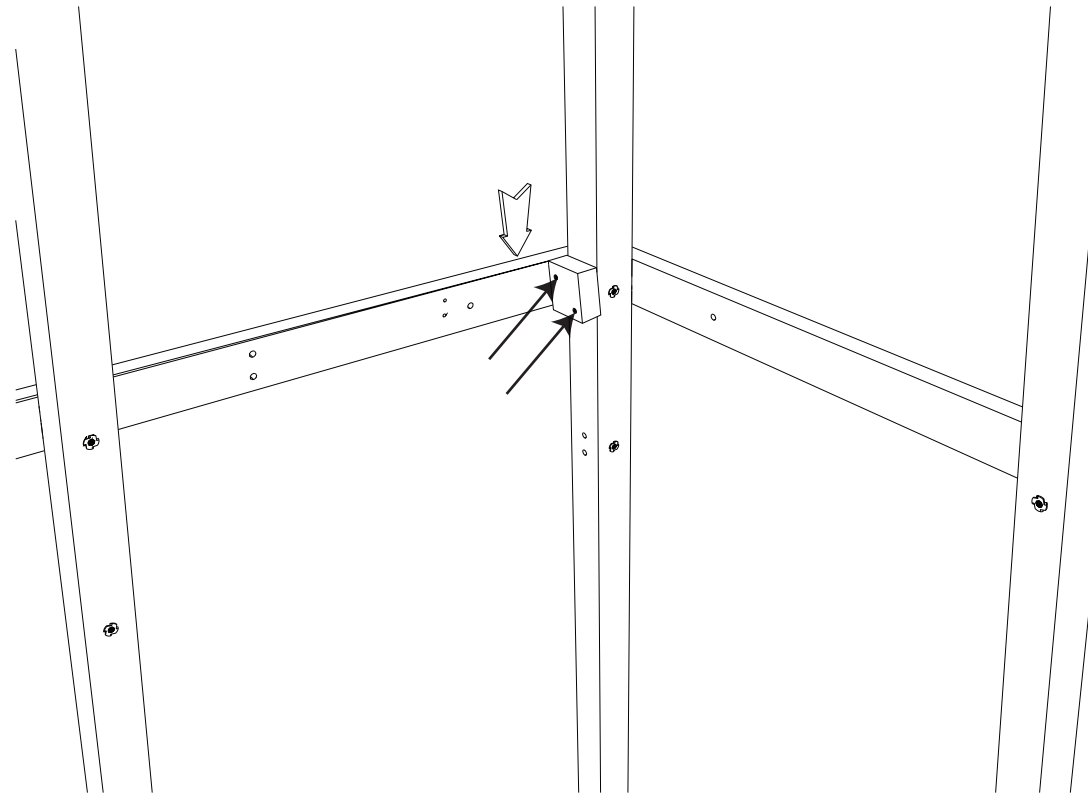
### Step 34:

Attach (1) Tower Leg (C05) to Floor Rail (K08) using (1) Bolt (M8107) and (1) Nut (NM815). Attach the Tower Leg to Base Board (S03) using (2) Bolts (M896) and (2) Nuts (NM815). Ensure the Tower Leg is flush with the bottom edge of the Base Board.



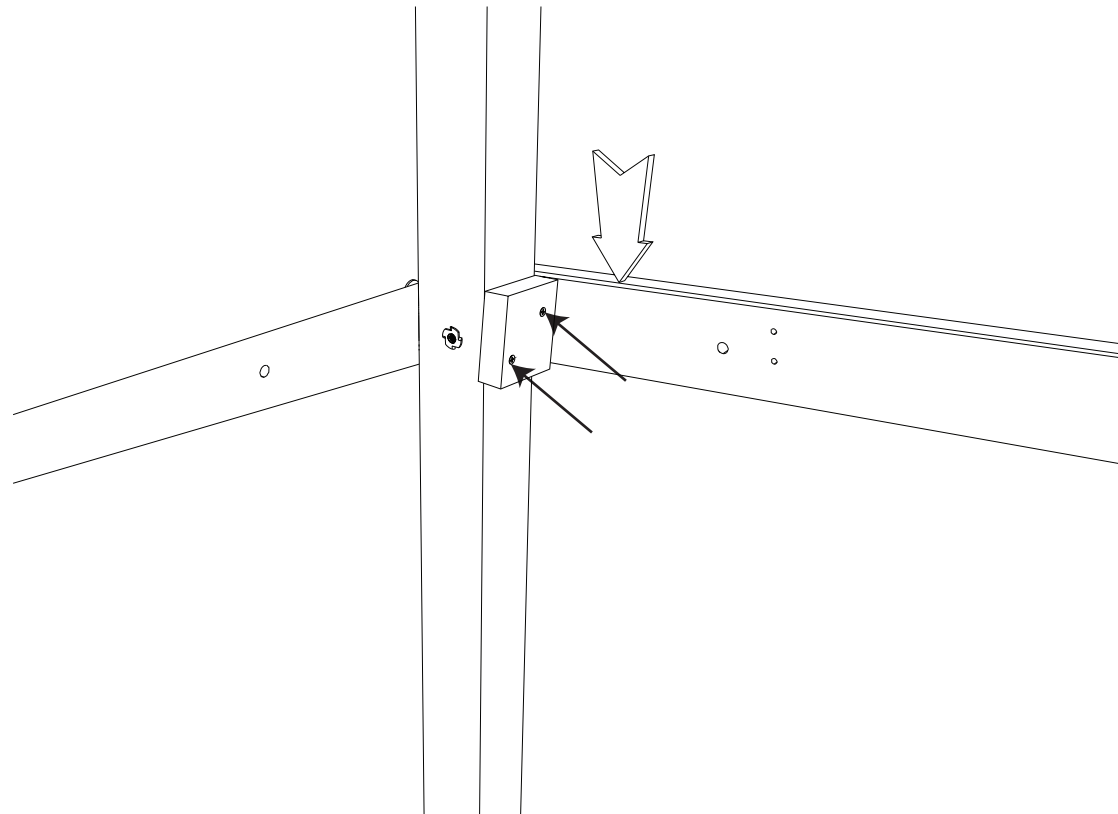
### Step 35:

Orient (1) Floor Support (FA17) so that it covers the (2) previously installed Nuts. Attach the Floor Support to Tower Leg (C03A) using (2) Screws (SW50). The Floor Support must be flush with the Floor Rail.



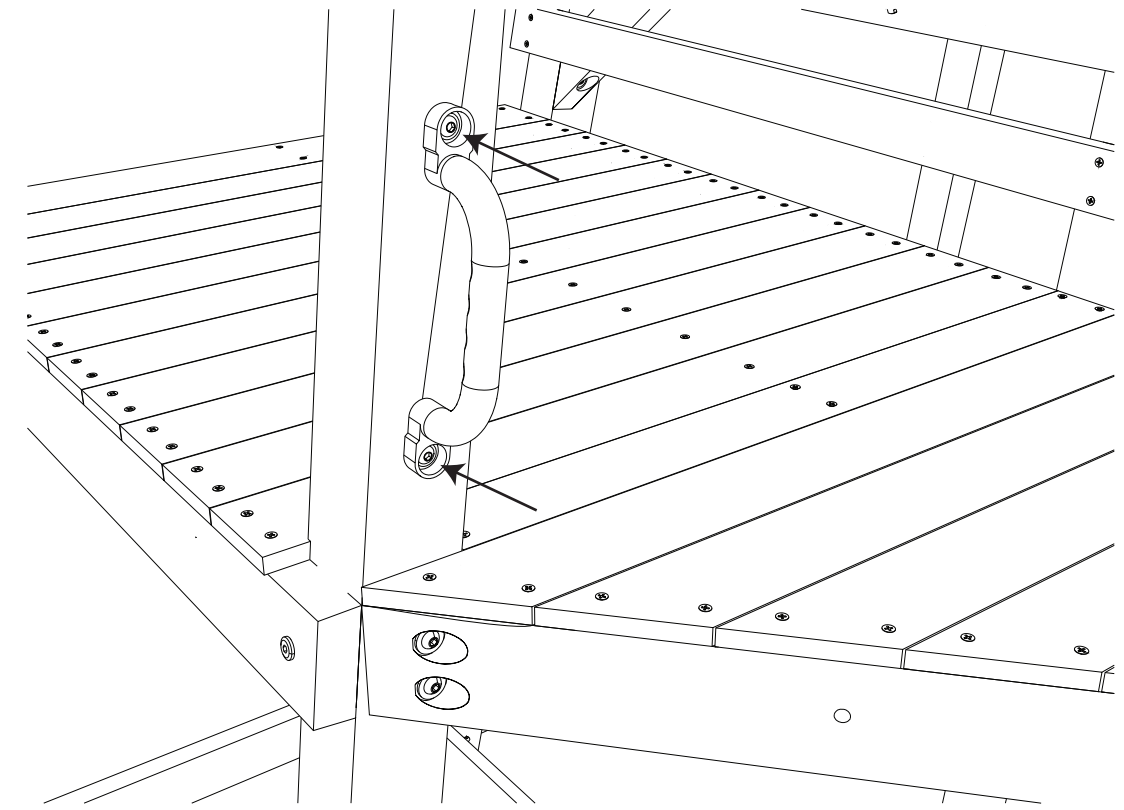
### Step 36:

Orient (1) Floor Support (FA17) so that it covers the (2) previously installed Nuts. Attach the Floor Support to Tower Leg (C01A) using (2) Screws (SW50). The Floor Support must be flush with the Floor Rail.



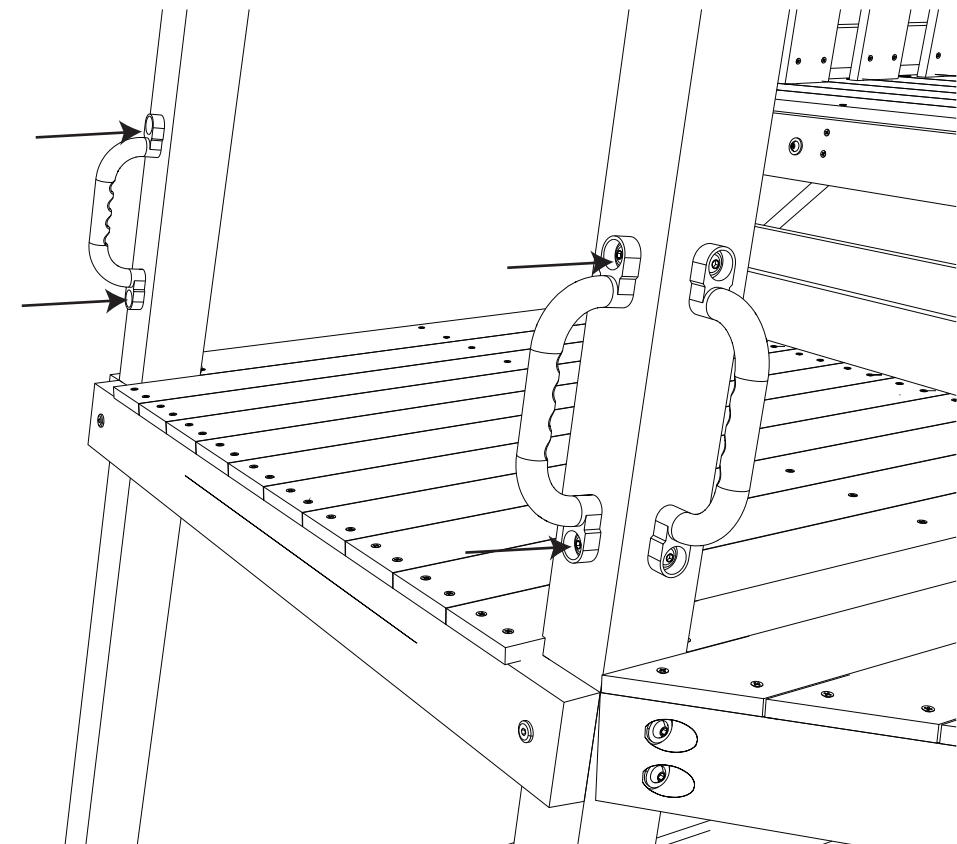
### Step 173:

Attach (1) Handle to Small Deck Leg (C08A) using (2) Screws (M6SW35).



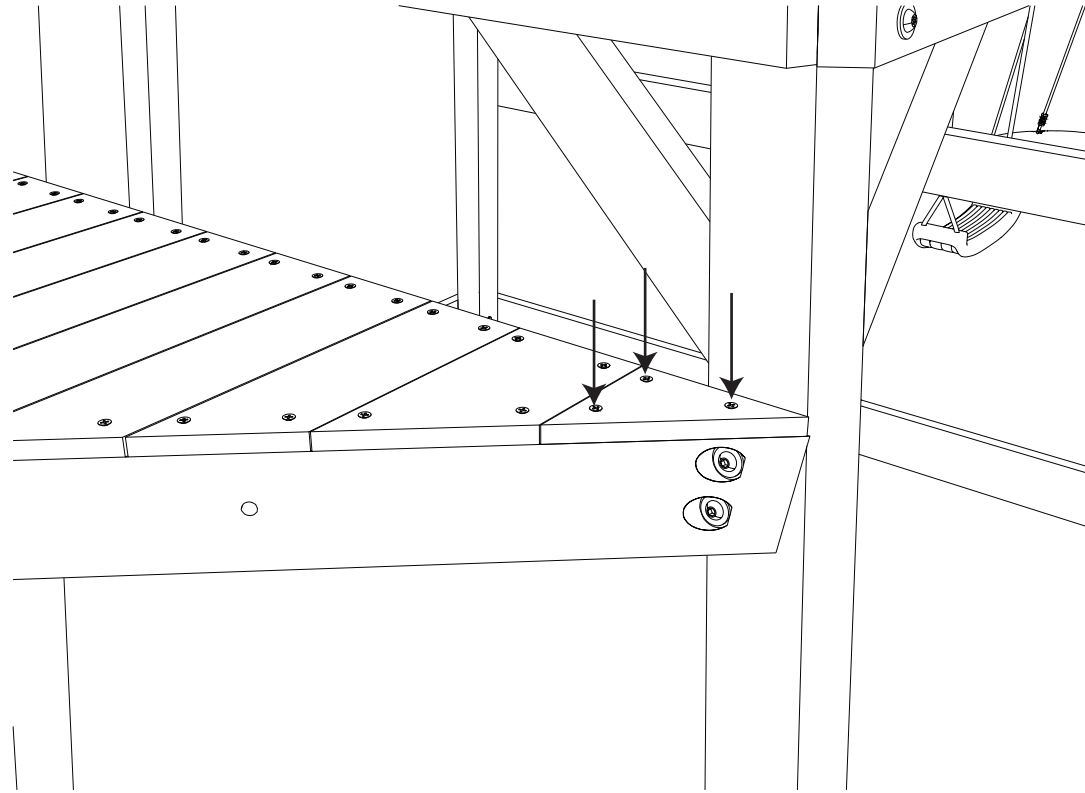
### Step 174:

Attach (1) Handle to Small Deck Leg (C08A) and (1) Handle to Small Deck Leg (C07) using (4) Screws (M6SW35).



### Step 171:

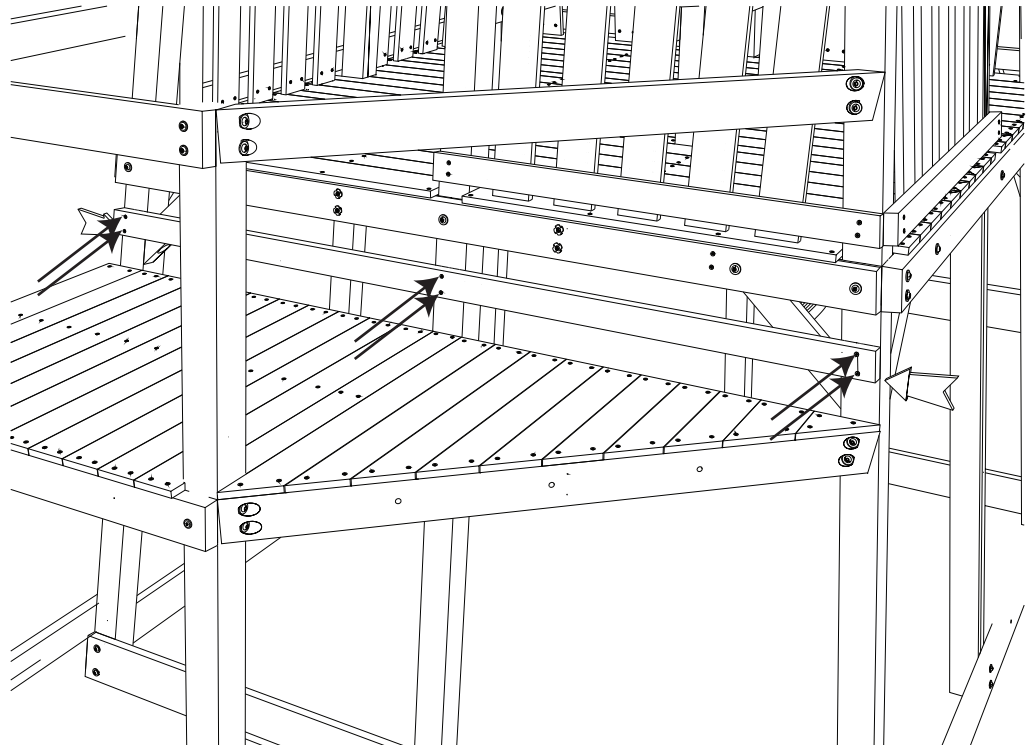
Attach Small Deck Floorboard (W24A) to the Floor Rails using (3) Screws (SW35).



### Step 172:

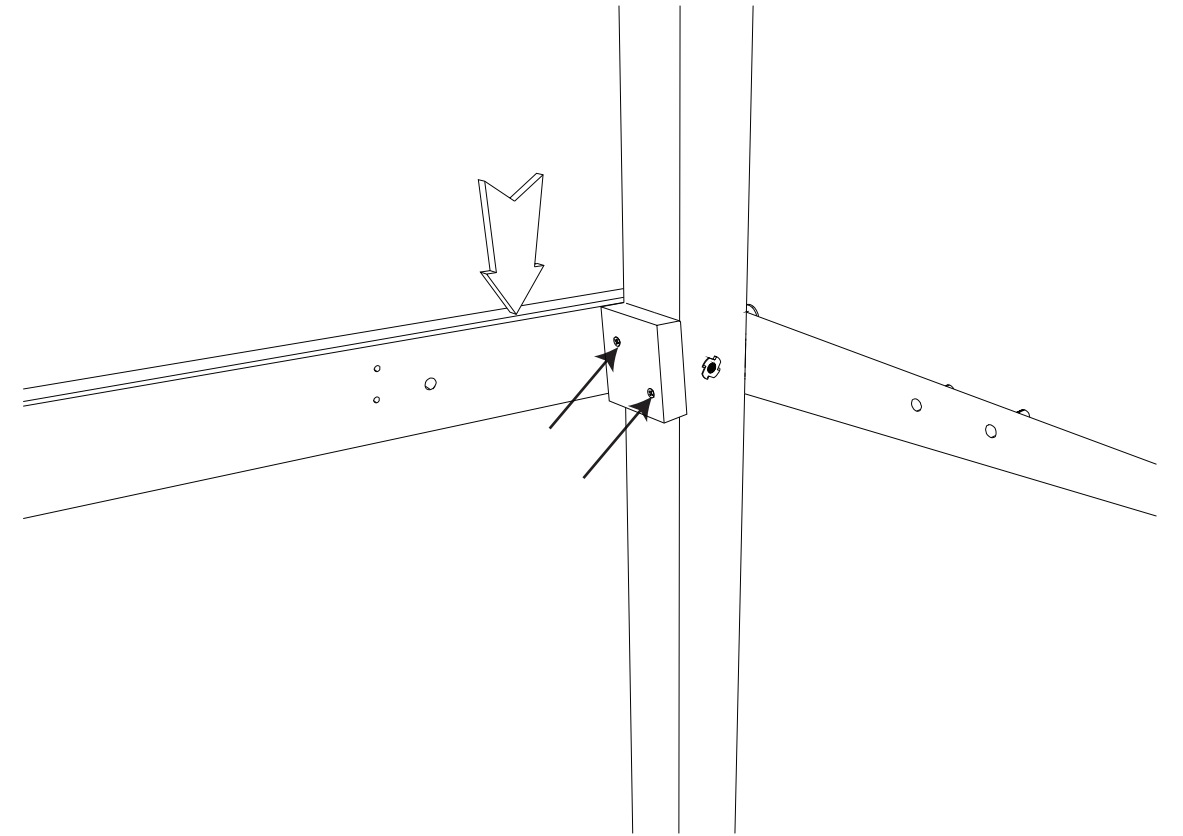
Center the Opening Block (KA15) between the Floor Rail (K08) and the Small Deck Floorboards. The Boards should be approximately 2.75in apart. Attach (1) Opening Block (KA15) to the Tower Legs (C03A), (C06B), and (C01A) using (6) Screws (SW75). Ensure the edges are flush.

⚠️ **WARNING:** The distance between Boards can be no greater than 3.5in.



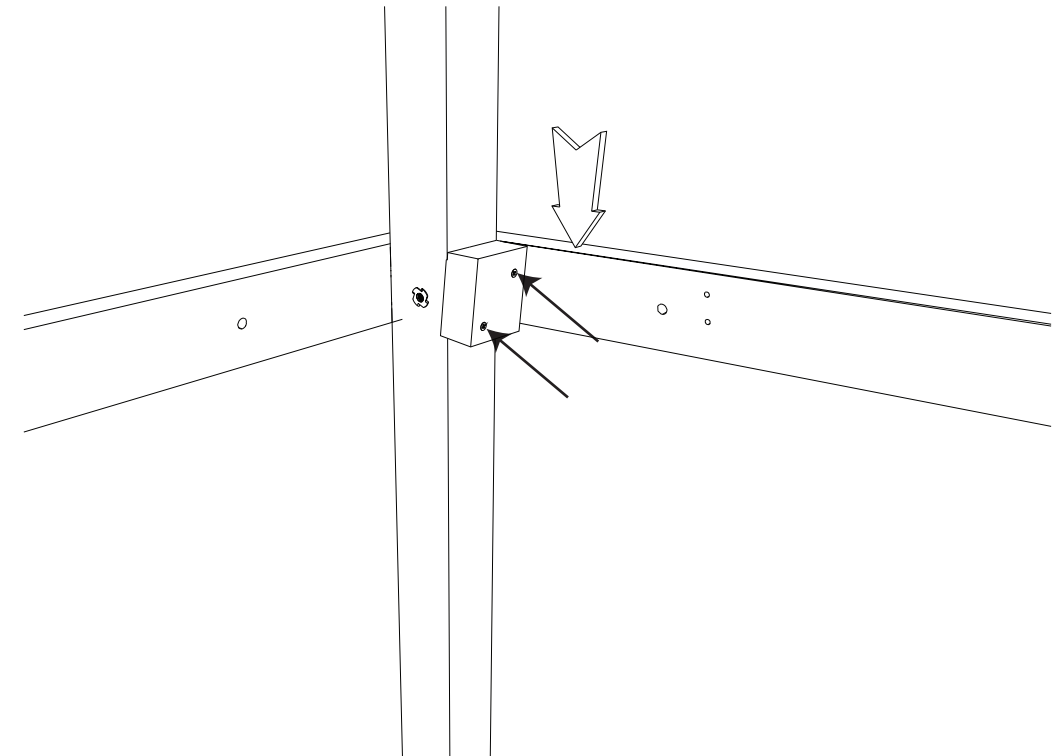
### Step 37:

Orient (1) Floor Support (FA17) so that it covers the (2) previously installed Nuts. Attach the Floor Support to Tower Leg (C02A) using (2) Screws (SW50). The Floor Support must be flush with the Floor Rail.



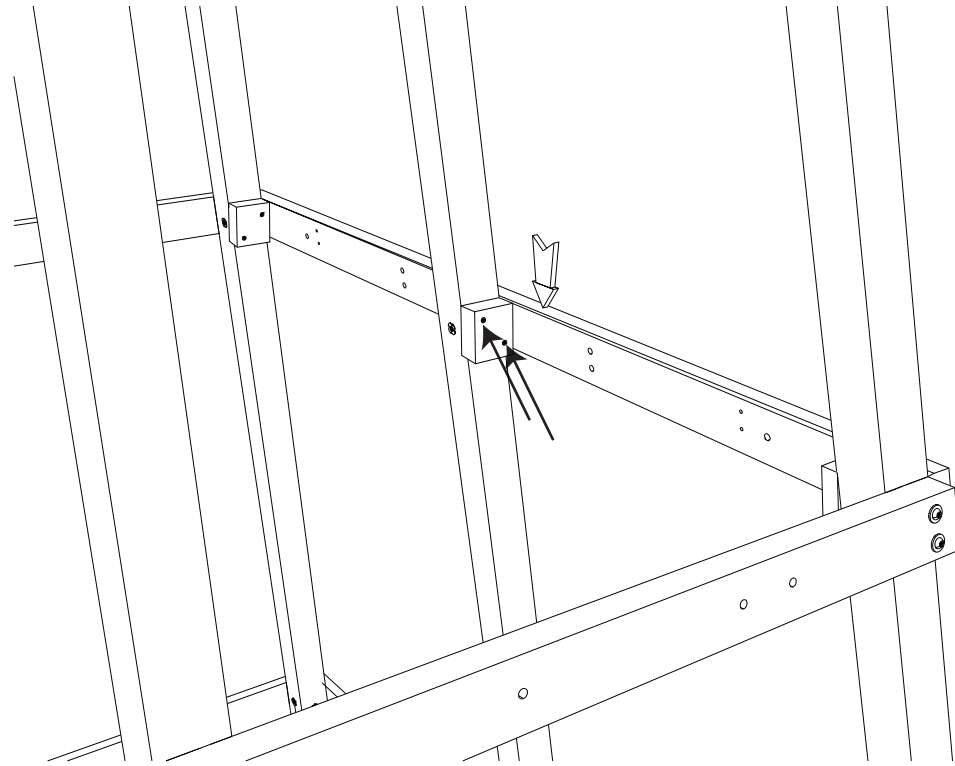
### Step 38:

Orient (1) Floor Support (FA17) so that it covers the (2) previously installed Nuts. Attach the Floor Support to Tower Leg (C01A) using (2) Screws (SW50). The Floor Support must be flush with the Floor Rail.



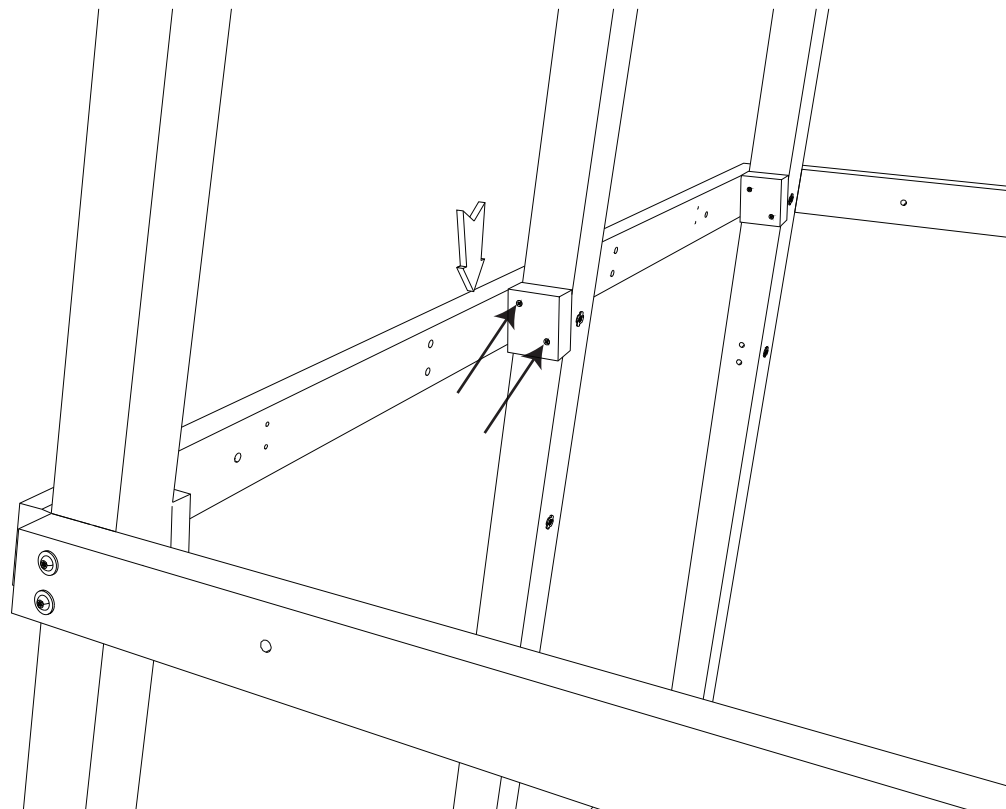
### Step 39:

Attach (1) Floor Support (FA17) to Tower Leg (C05A) using (2) Screws (SW50). The Floor Support must be flush with the Floor Rail. This Floor Support must face Tower Leg (C02A).



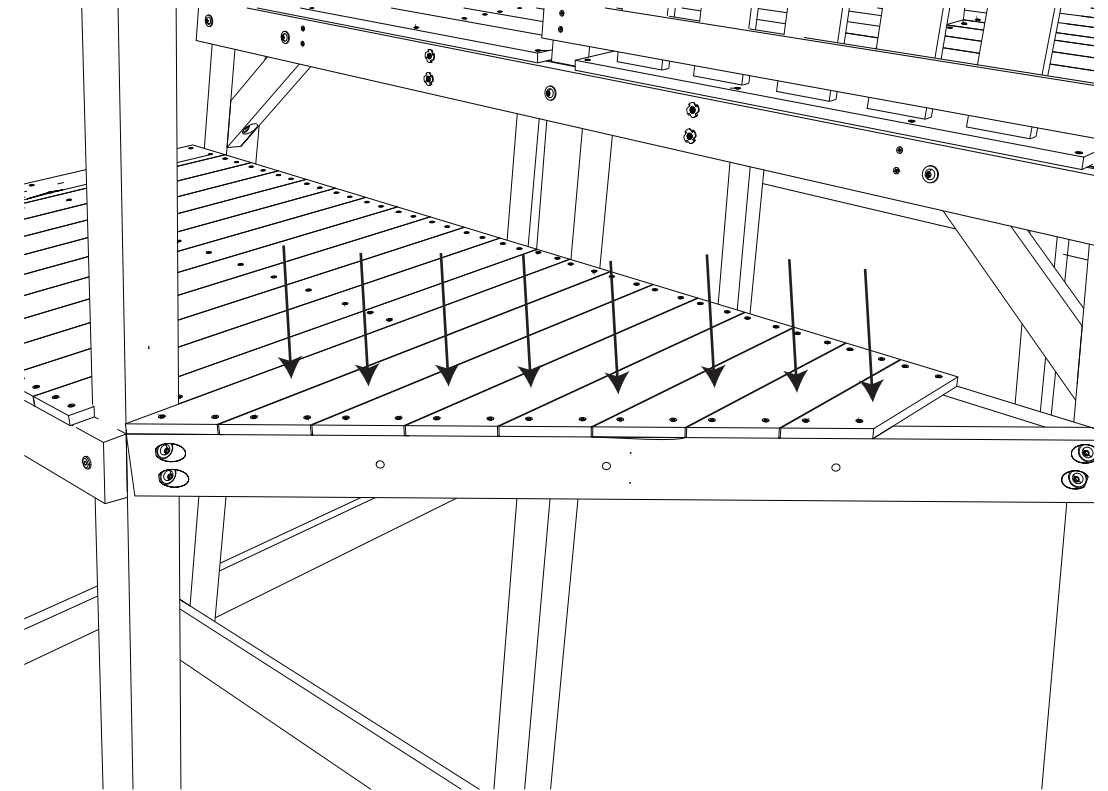
### Step 40:

Attach (1) Floor Support (FA17) to Tower Leg (C06B) using (2) Screws (SW50). The Floor Support must be flush with the Floor Rail. This Floor Support must face Tower Leg (C01A).



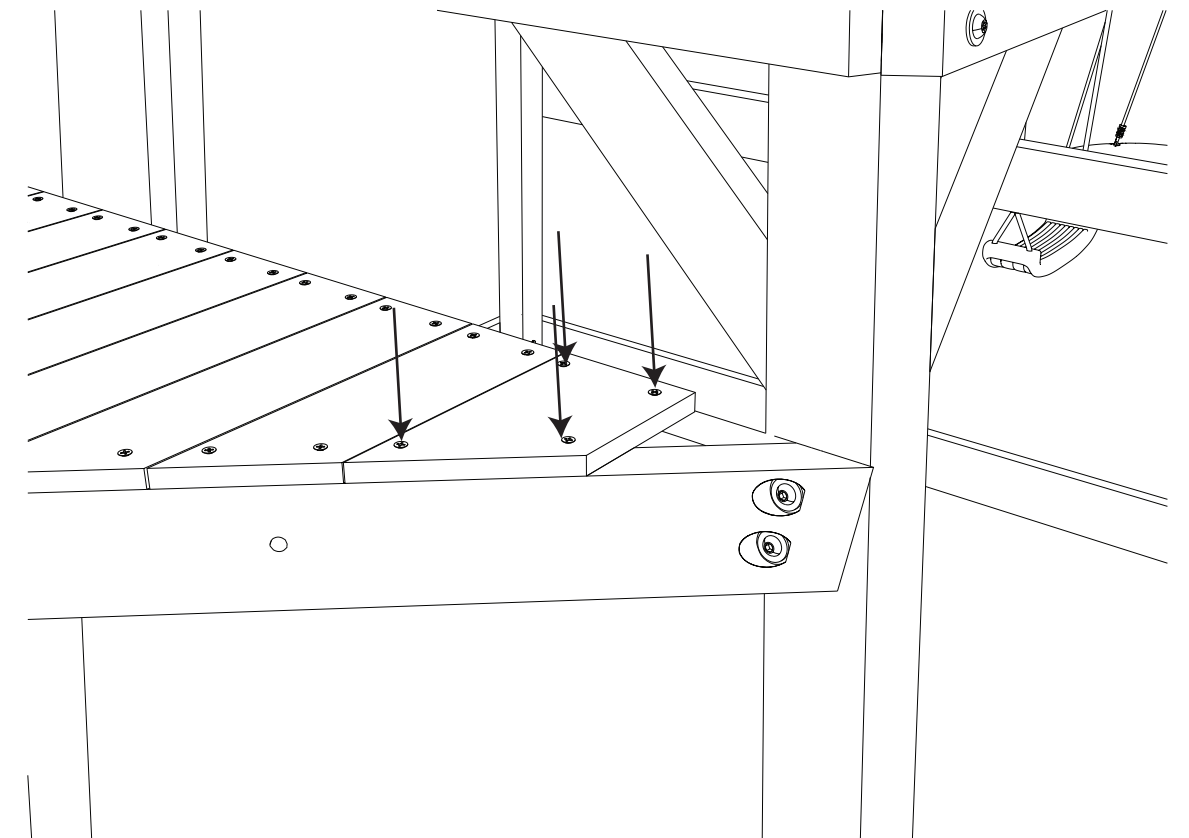
### Step 169:

Attach Small Deck Floorboards (W15) through (W22) to the Floor Rails using (32) Screws (SW35).



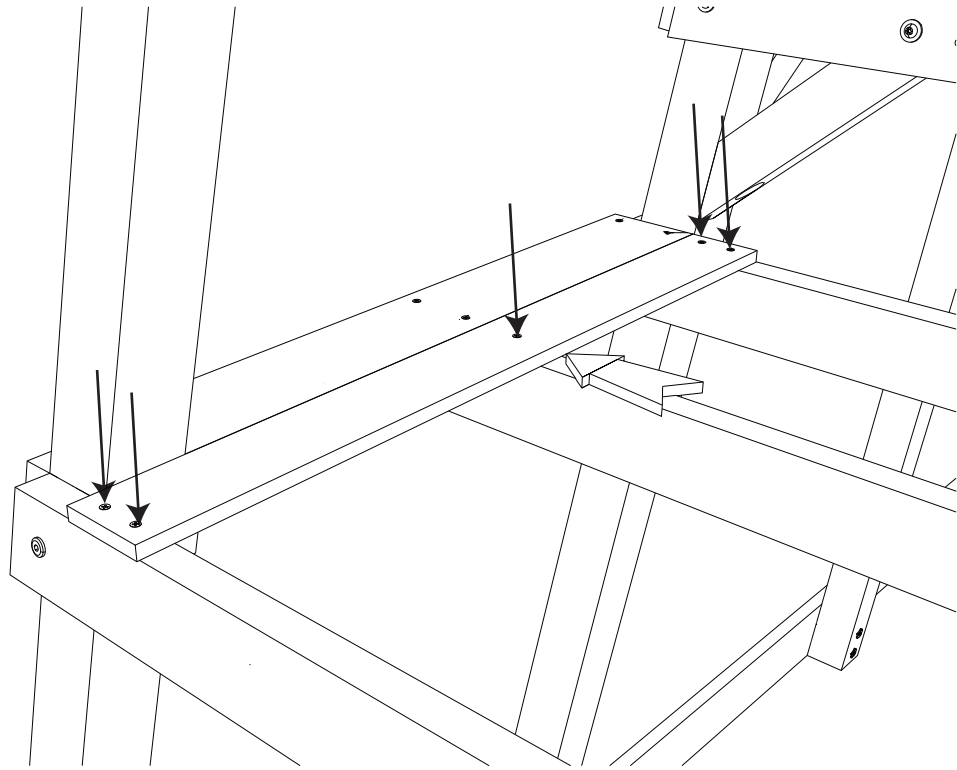
### Step 170:

Attach Small Deck Floorboard (W24) to the Floor Rails using (4) Screws (SW35).



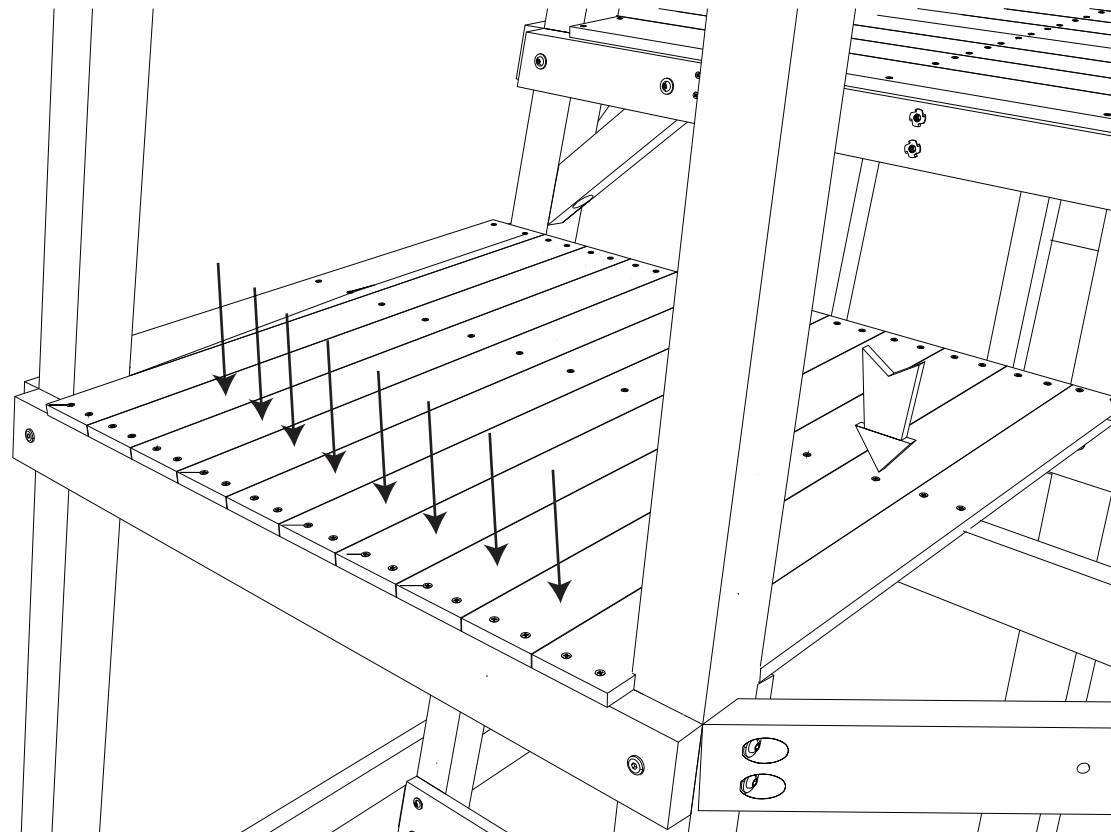
### Step 167:

Attach (1) Small Deck Floorboard (W08) using (5) Screws (SW35). The predrilled hole in the center must align with Floor Support (K25).



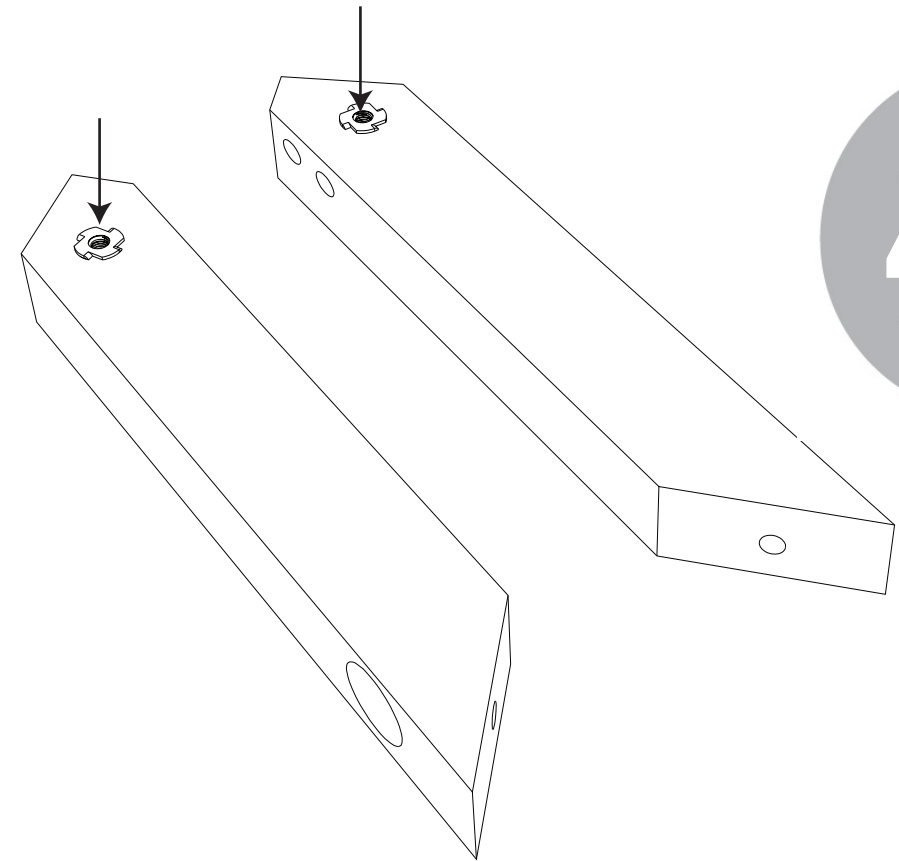
### Step 168:

Attach (8) Small Deck Floorboards (W08) using (40) Screws (SW35). The predrilled holes in the center must align with the Floor Support (K25).



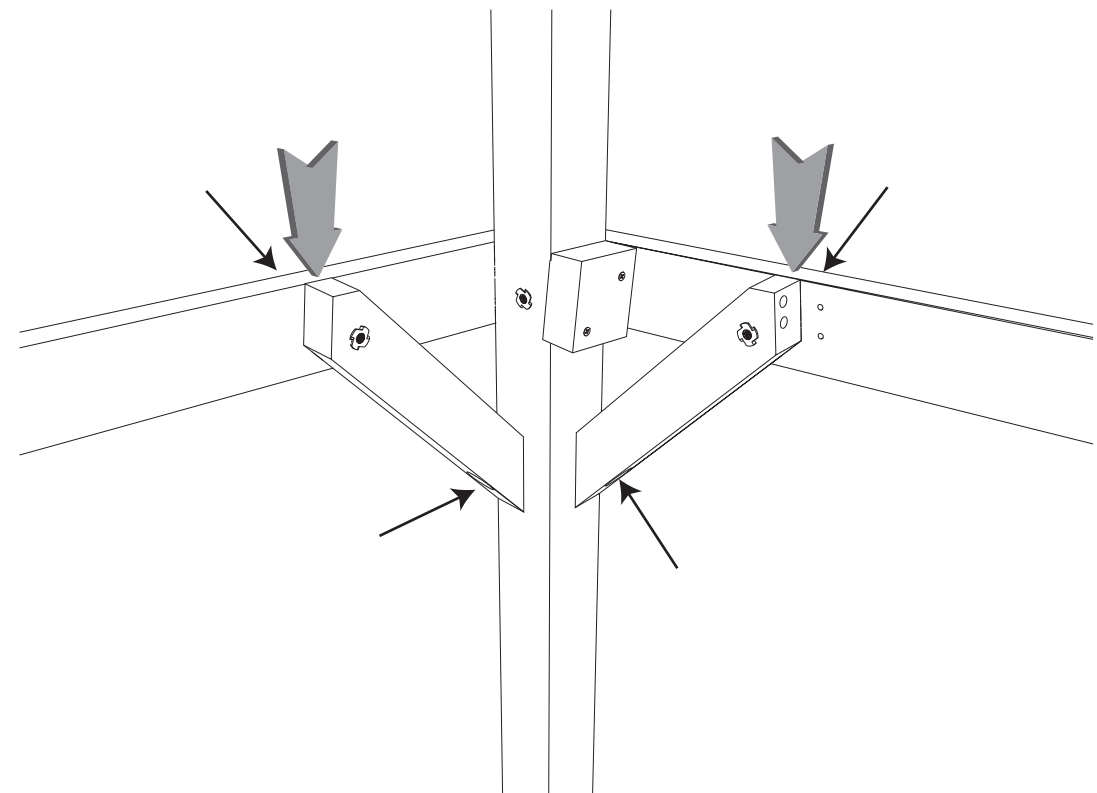
### Step 41:

Insert (1) Nut (NM815) into each Wood Brace (KA13). Note the orientation of the Braces. Complete this step 4 times.



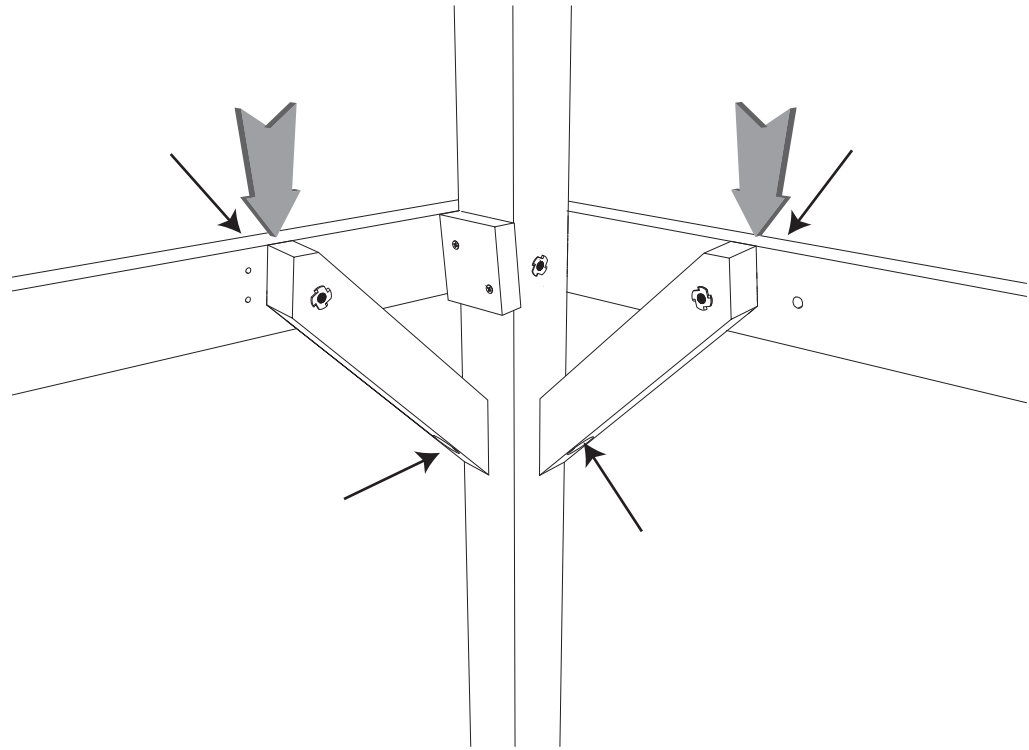
### Step 42:

Use a Level or Square to make sure the Assembly is square. Attach (1) Wood Brace (KA13) to the Floor Rail using (1) Bolt (M865) and to Tower Leg (C01A) using (1) Screw (M8SW50). The tops of the Wood Braces must be flush with the Floor Rail. Repeat for an additional Wood Brace (KA13).



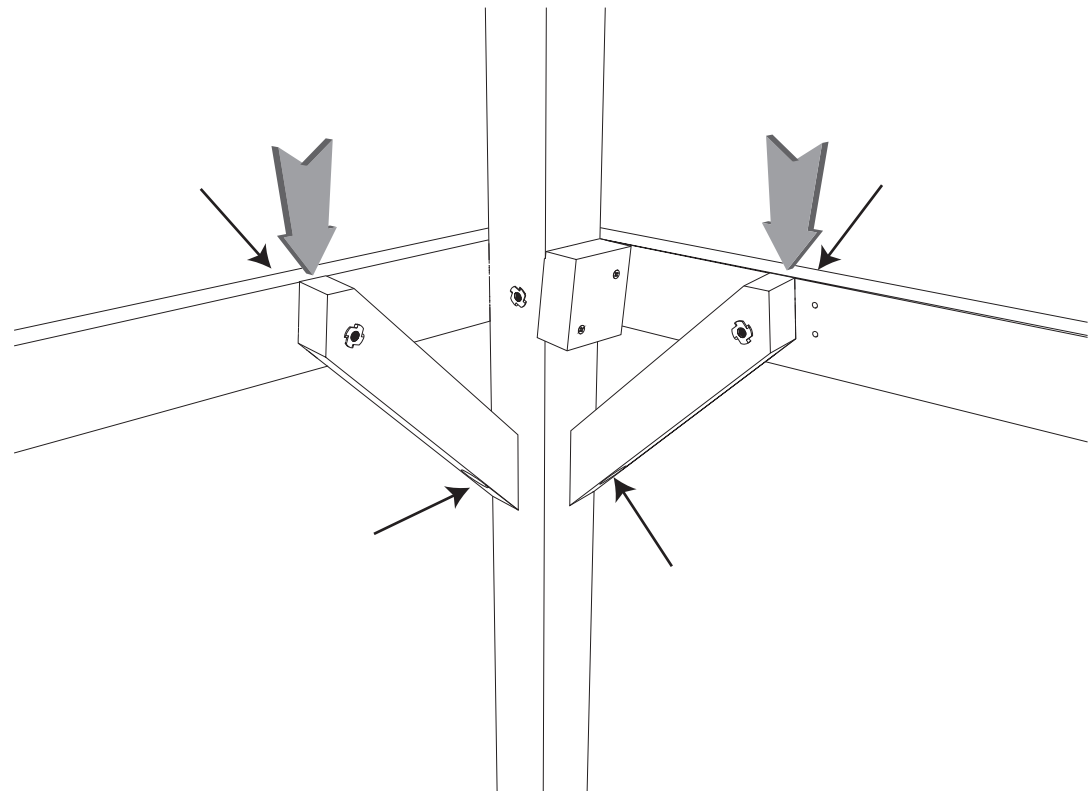
### Step 43:

Use a Level or Square to make sure the Assembly is square. Attach (1) Wood Brace (KA13) to the Floor Rail using (1) Bolt (M865) and to Tower Leg (C02A) using (1) Screw (M8SW50). The top of the Wood Brace must be flush with the Floor Rail. Repeat for an additional Wood Brace (KA13).



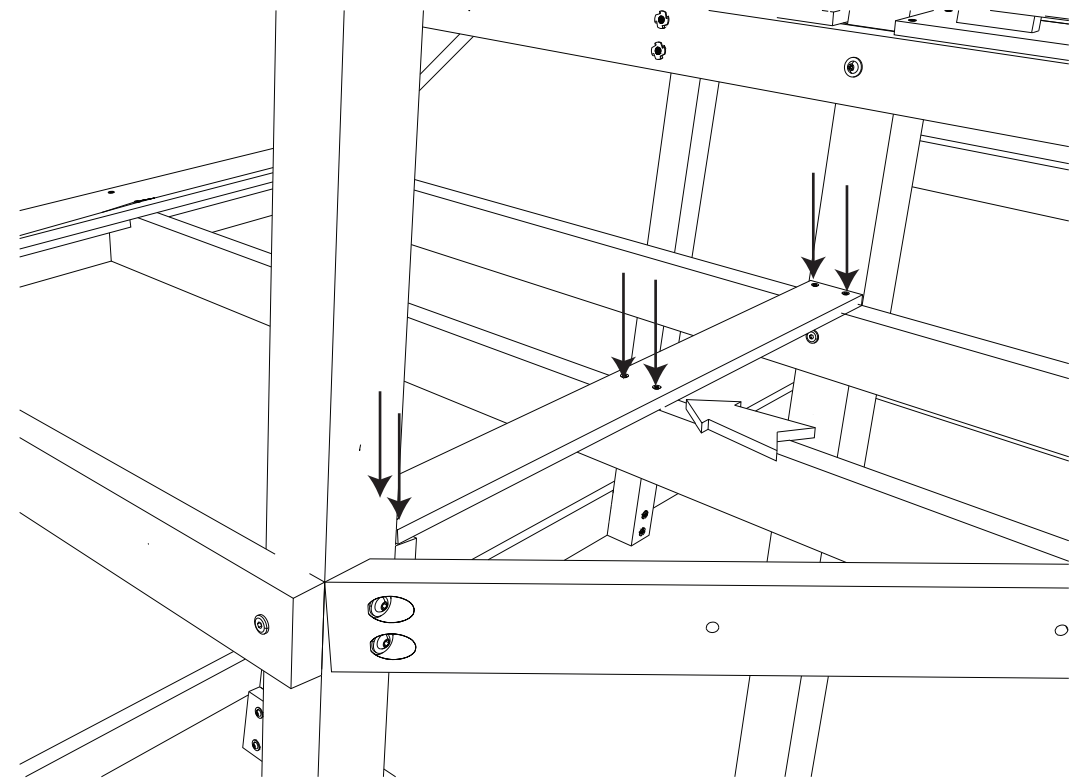
### Step 44:

Use a Level or Square to make sure the Assembly is square. Attach (1) Wood Brace (KA13) to the Floor Rail using (1) Bolt (M865) and to Tower Leg (C01A) using (1) Screw (M8SW50). The top of the Wood Brace must be flush with the Floor Rail. Repeat for an additional Wood Brace (KA13).



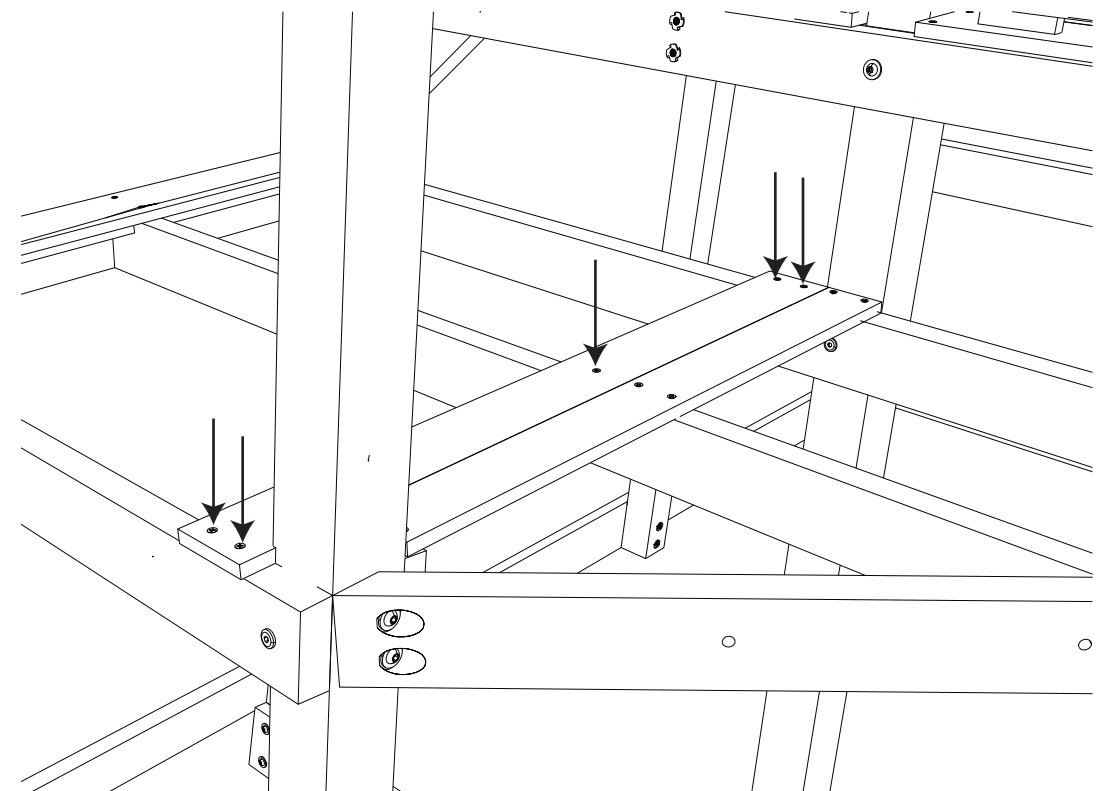
### Step 165:

Attach (1) Small Deck Floorboard (W04A) using (6) Screws (SW35). The predrilled hole in the center must align with Floor Support (K25).



### Step 166:

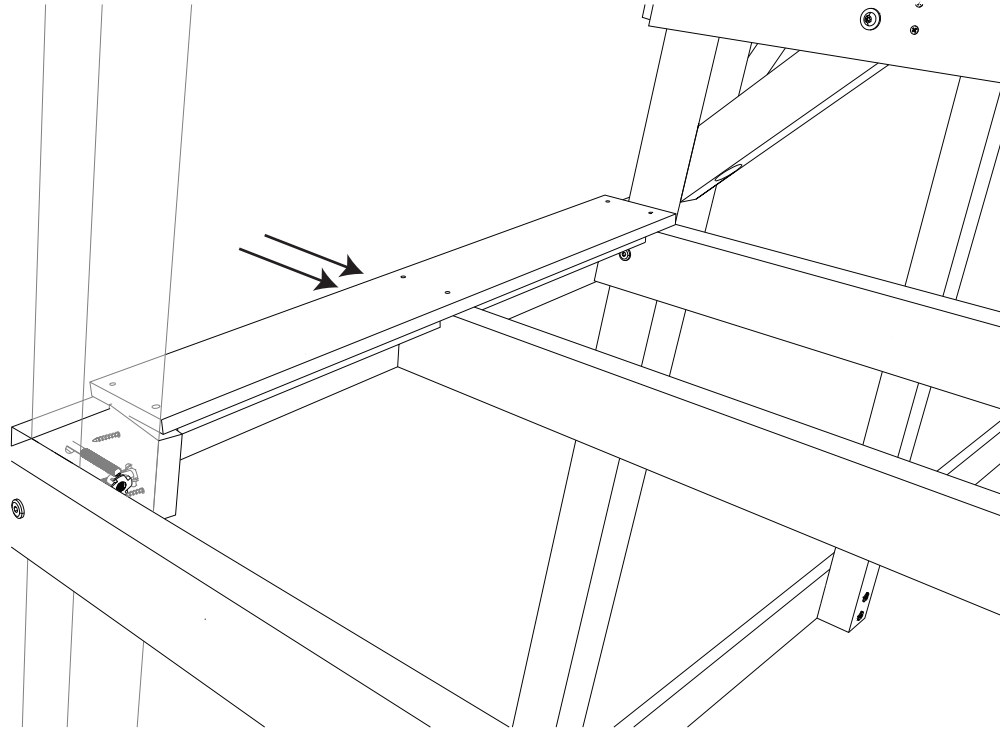
Attach (1) Small Deck Floorboard (W04) using (5) Screws (SW35). The predrilled hole in the center must align with Floor Support (K25). Ensure the Floorboard is flush with the Tower Leg (C06B) and Small Deck Leg (C08A).





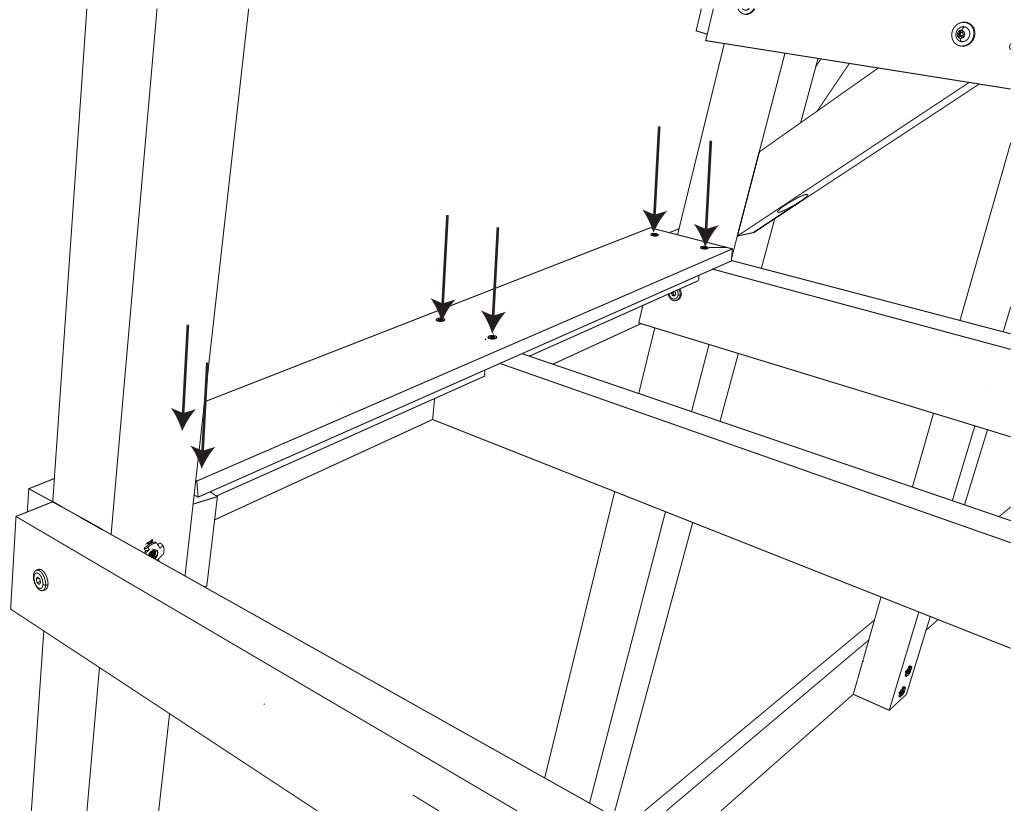
### Step 163:

Align (1) Small Deck Floorboard (W12A) with the Floor Support. The Floor Support should fit into the groove under the Floorboard. Attach the Floor Support to the Small Deck Floor Rail (K01) using (2) Screws (SW75). Ensure the top of the Floor Support is flush with the top edges of the Floor Rail.  
Note: You may need a Rubber Mallet.



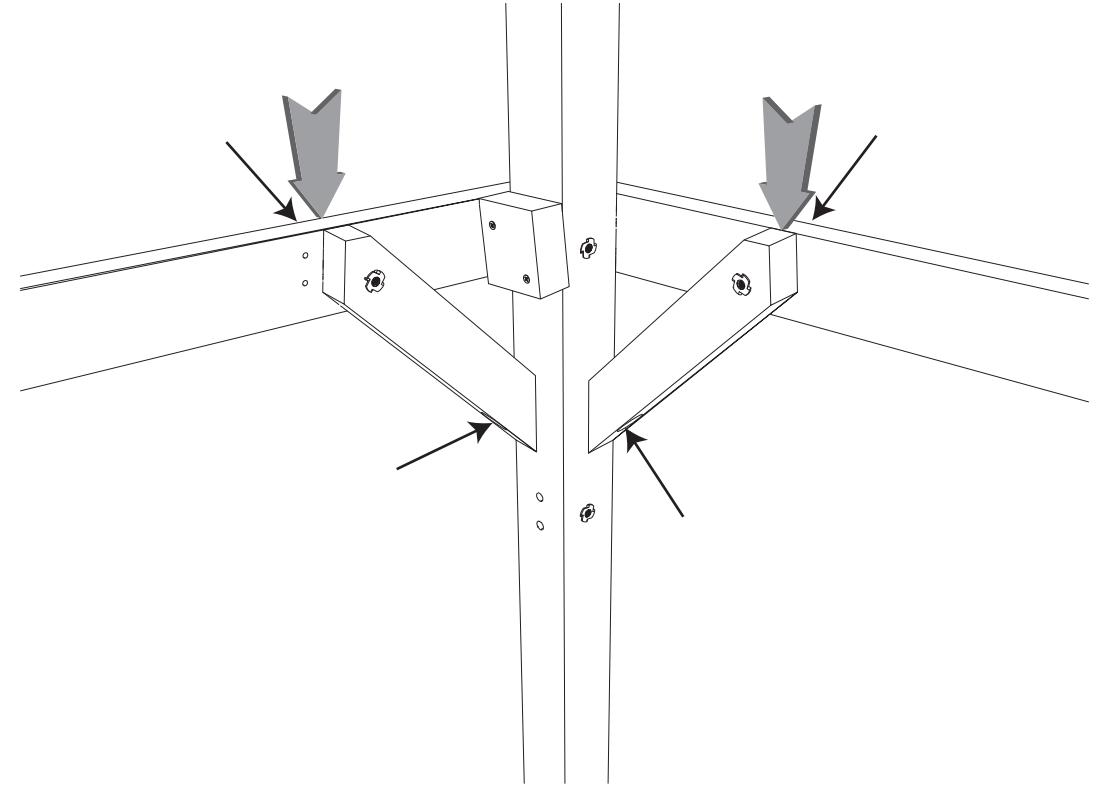
### Step 164:

Attach the Small Deck Floorboard to the Small Deck Floor Rails and the Floor Supports using (6) Screws (SW35).



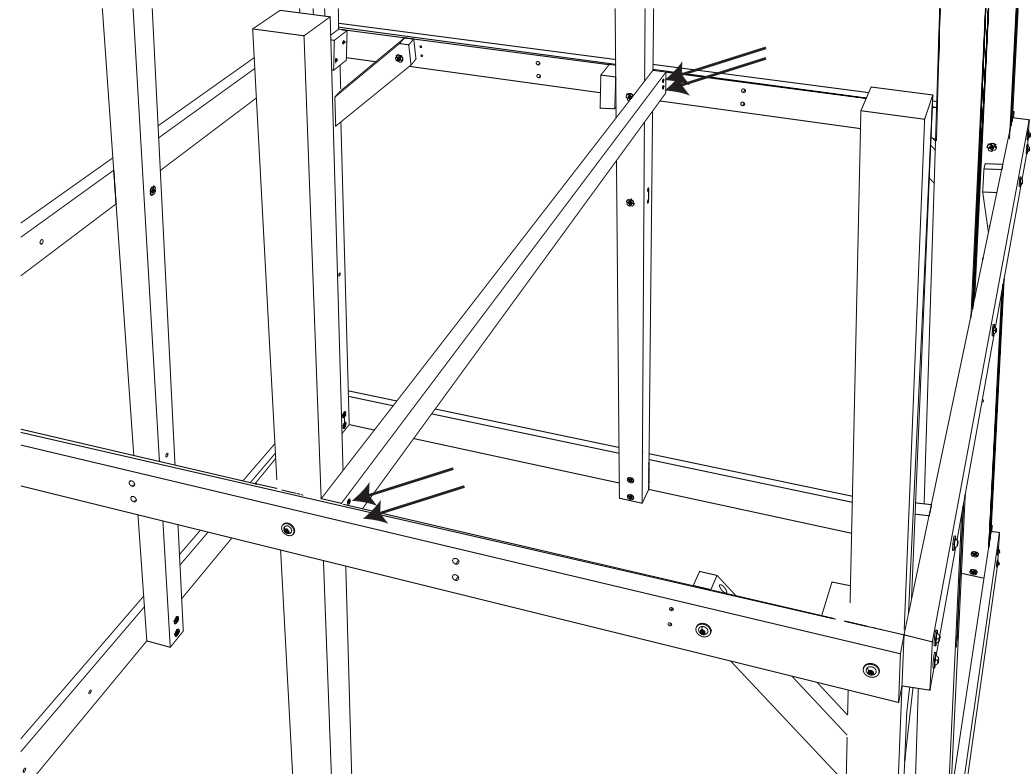
### Step 45:

Use a Level or Square to make sure the Assembly is square. Attach (1) Wood Brace (KA13) to the Floor Rail using (1) Bolt (M865) and to Tower Leg (C03A) using (1) Screw (M8SW50). The top of the Wood Brace must be flush with the Floor Rail. Repeat for an additional Wood Brace (KA13).



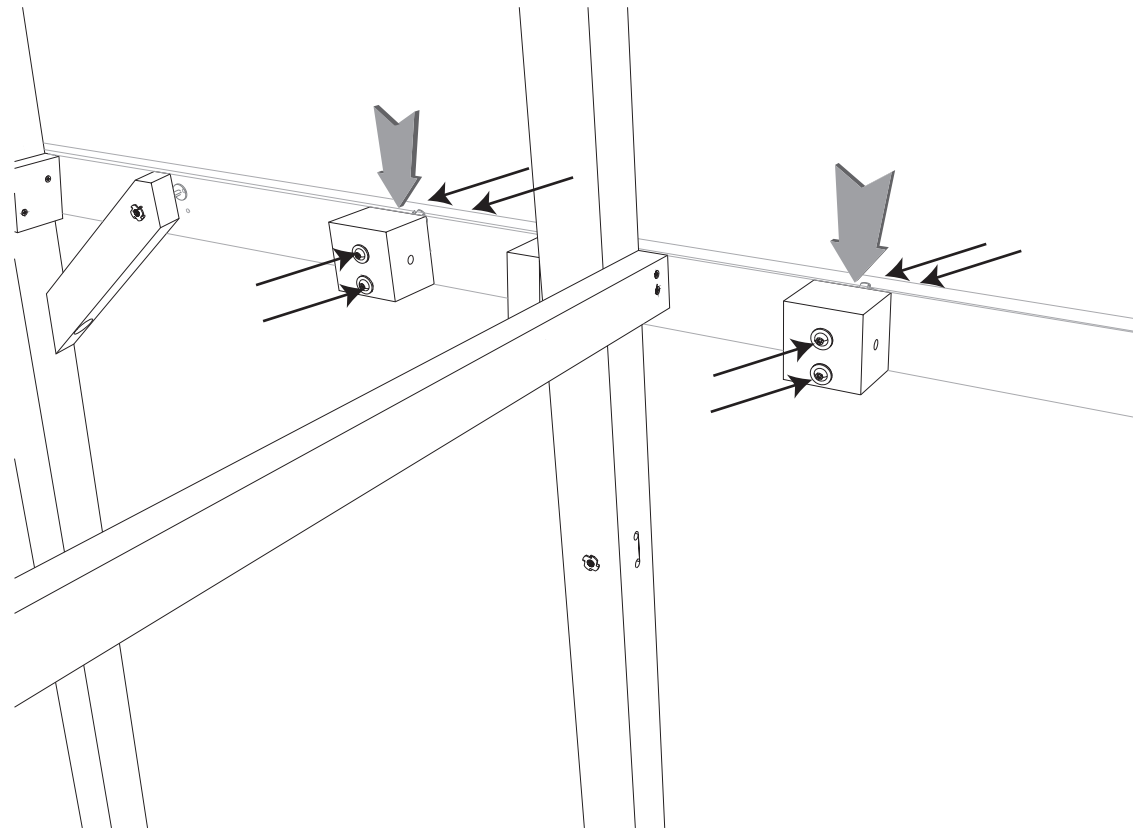
### Step 46:

Attach (1) Floor Support (KA11) to Tower Legs (C05) and (C06B) using (4) Screws (SW75). Ensure the top of the Floor Support is flush with the top edges of the Floor Rails.  
Note: You may need a Rubber Mallet to position the Floor Support.



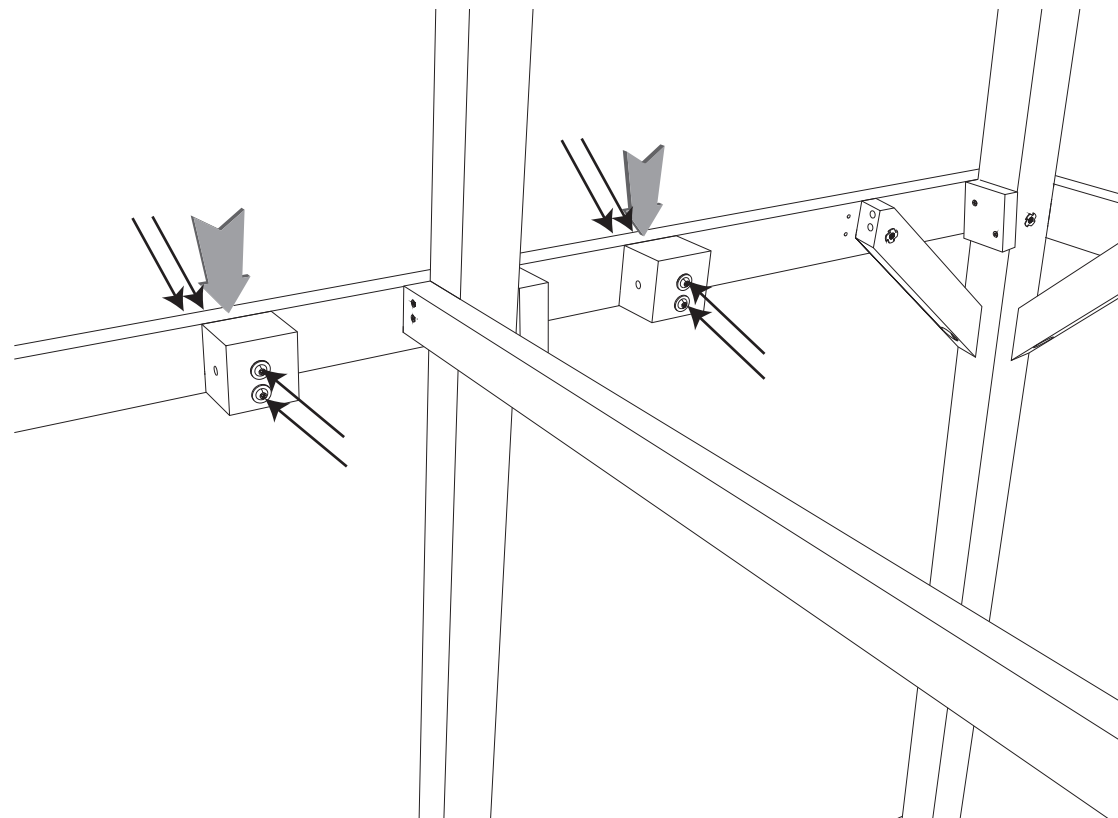
### Step 47:

Attach (2) Wood Braces (C11) to Floor Rail (K08) using (4) Bolts (M8107) and (4) Nuts (NM815). The Wood Braces must be flush with the Floor Rail.



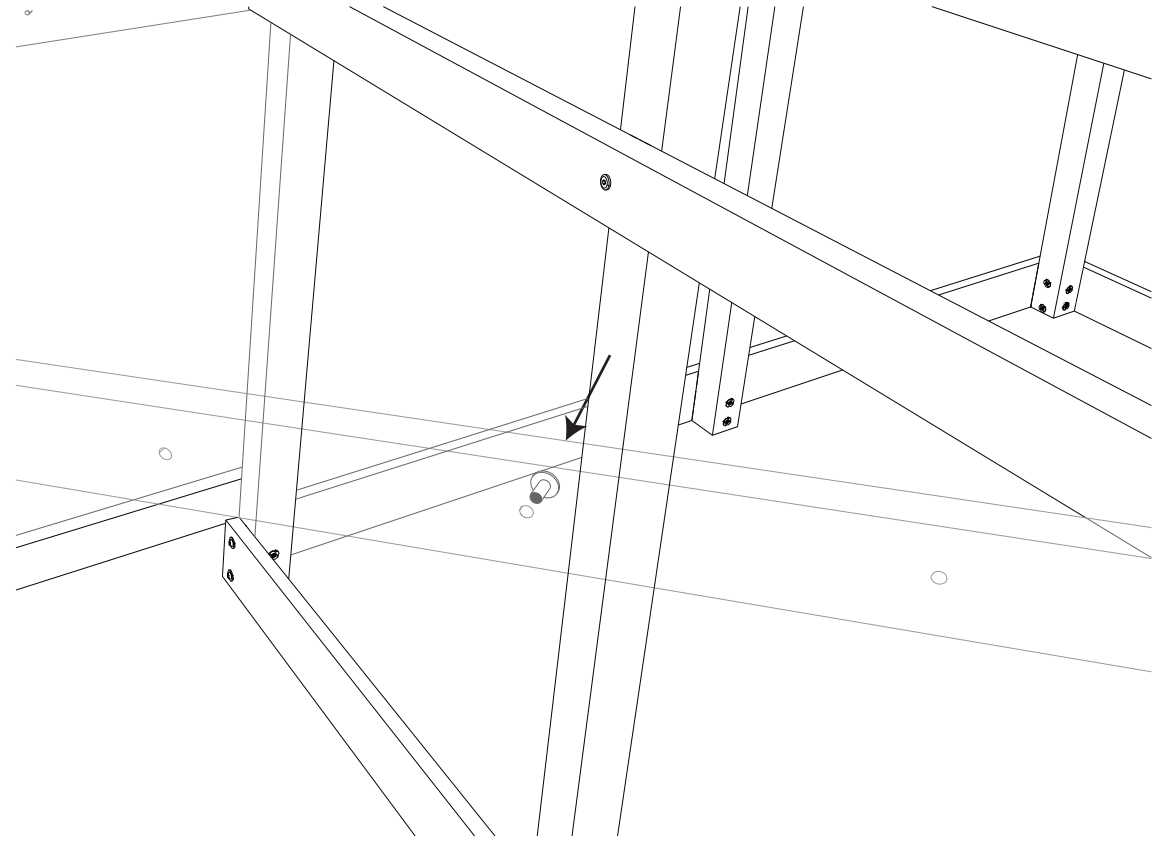
### Step 48:

Attach (2) Wood Braces (C11) to Floor Rail (K08) using (4) Bolts (M8107) and (4) Nuts (NM815). The Wood Braces must be flush with the Floor Rail.



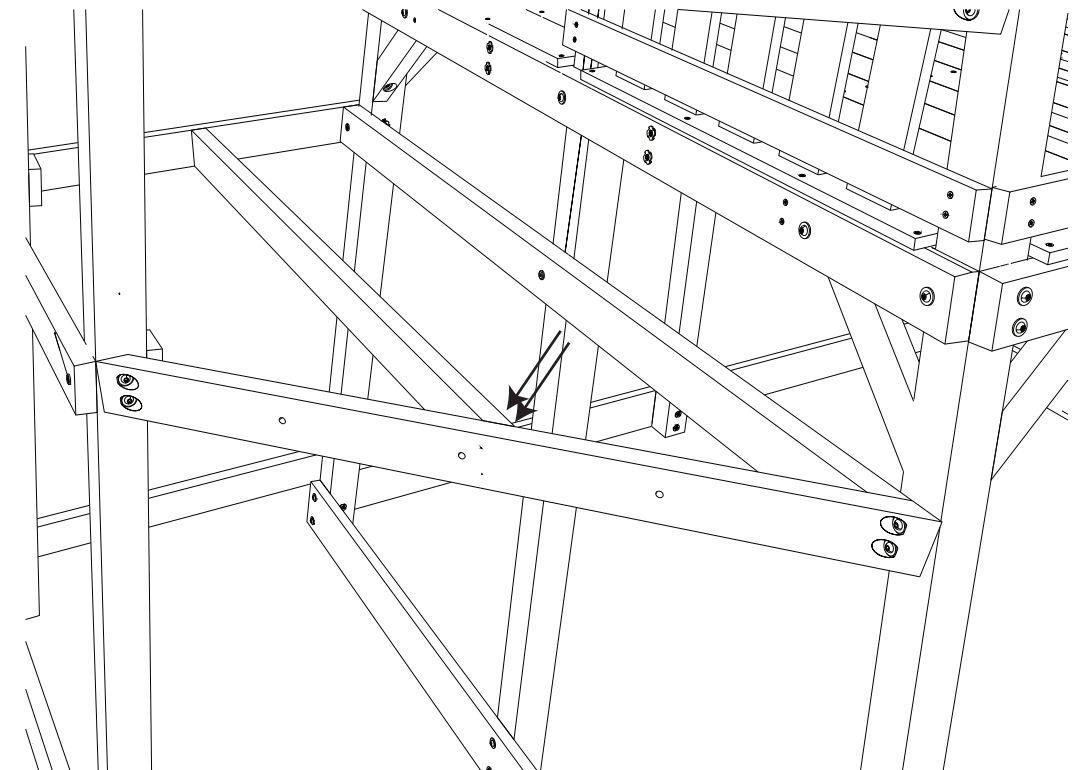
### Step 161:

Insert (1) Nut (BM818) into Small Deck Floor Rail (K23).



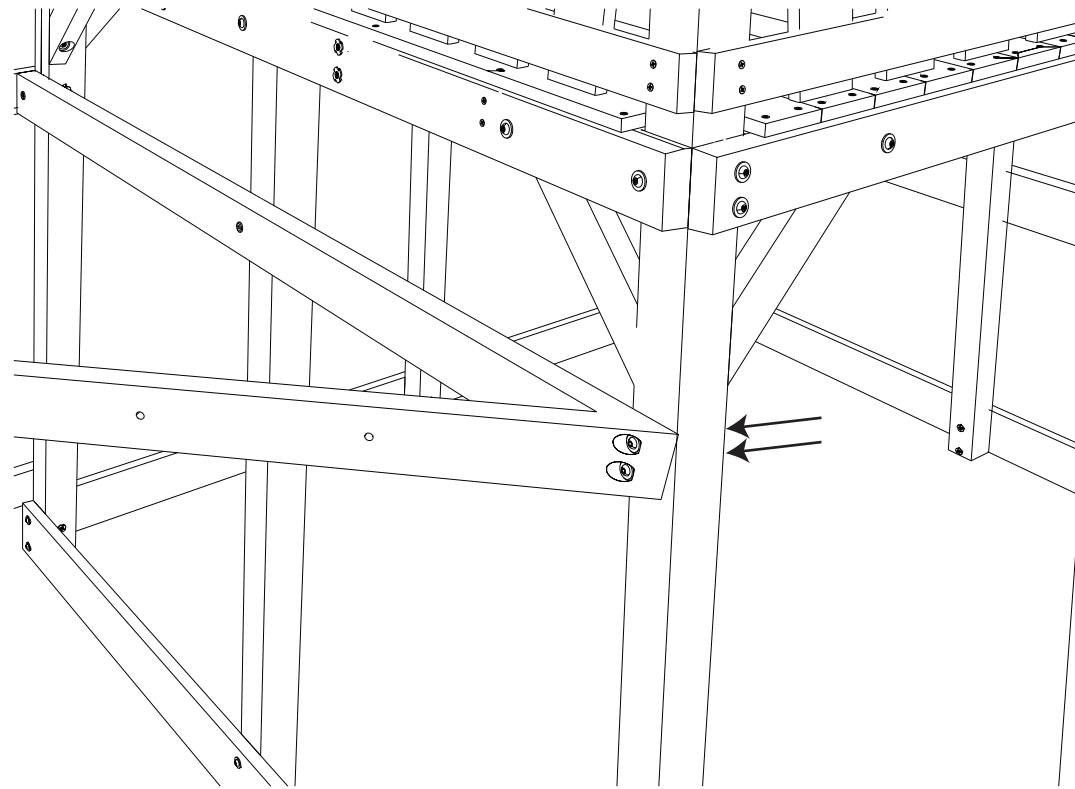
### Step 162:

Attach (1) Small Deck Floor Support (K25) to Small Deck Rail (K23) using (2) Screws (M8SW50). Ensure the top of the Floor Support is flush with the top edges of the Floor Rail.



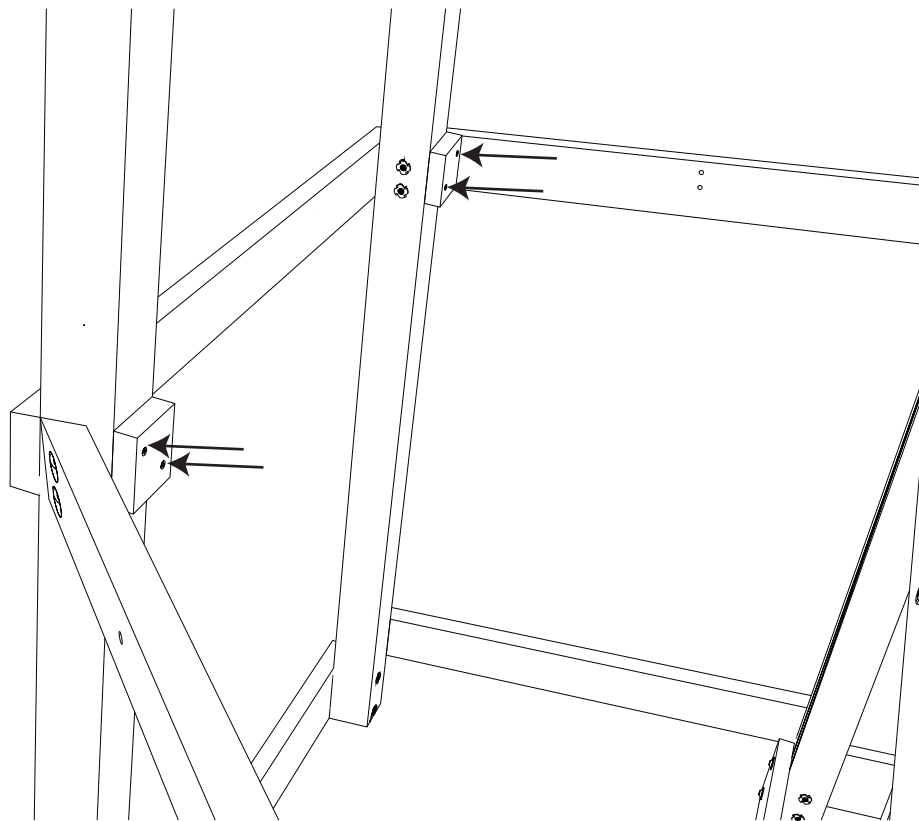
### Step 159:

Attach (1) Small Deck Floor Rail (K24) to the Small Deck Floor Rail (K23) using (2) Screws (M8SW50).



### Step 160:

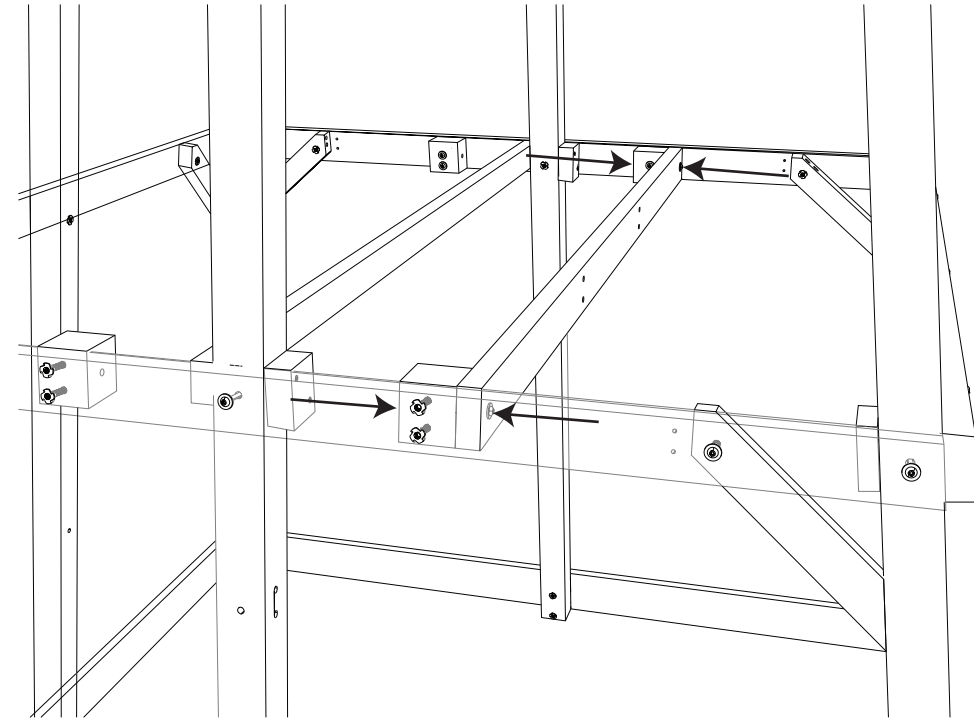
Attach (1) Floor Support (FA17) to Small Deck Leg (C08A) using (2) Screws (SW50). Attach (1) Floor Support (FA17) to Small Deck Leg (C07) using (2) Screws (SW50). The Floor Supports must be flush with the Floor Rails.



### Step 49:

Attach (1) Floor Support (K05) to Wood Braces (C11) using (2) Bolts (M8107) and (2) Nuts (NM815). Ensure the top of the Floor Support is flush with the top edges of the Floor Rails.

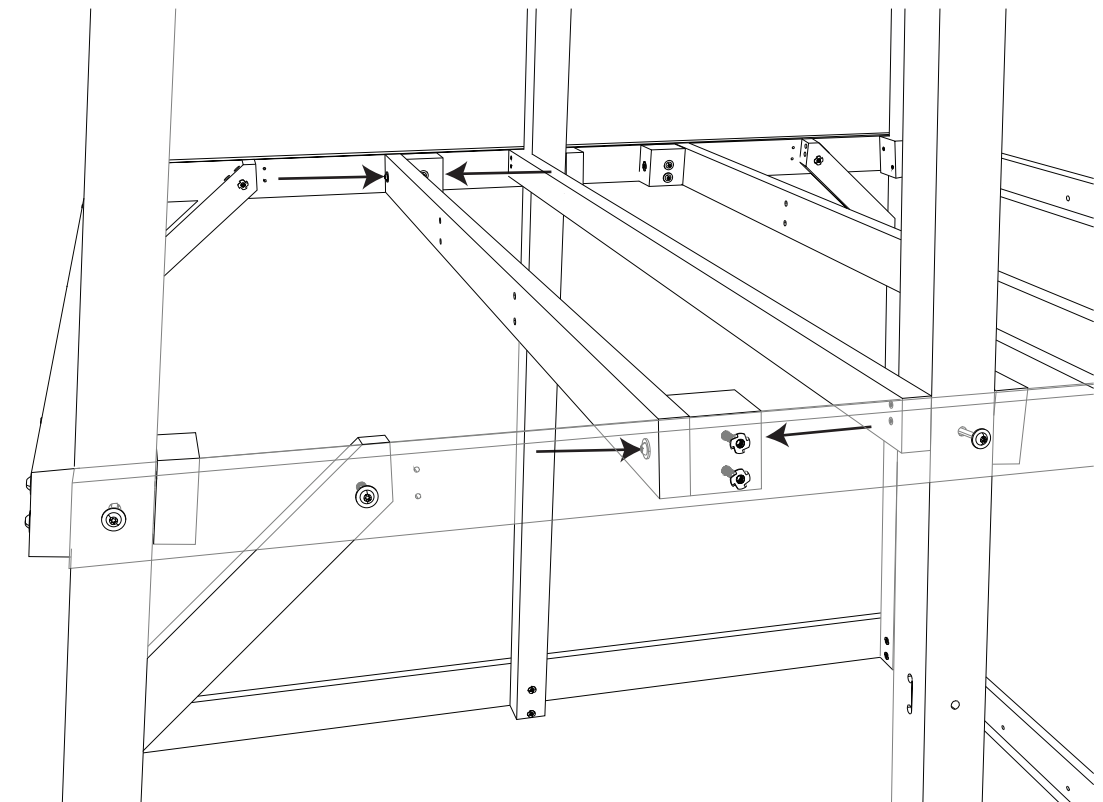
Note: You may need a Rubber Mallet to position the Floor Support.



### Step 50:

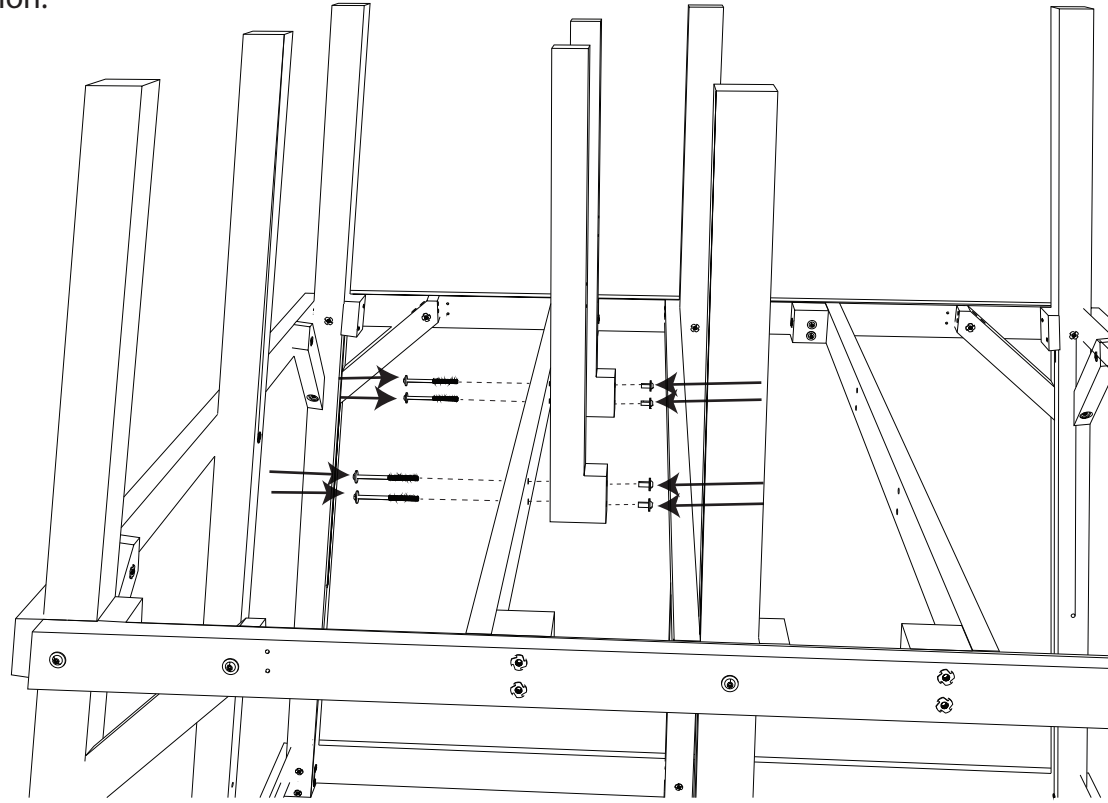
Attach (1) Floor Support (K05) to Wood Braces (C11) using (2) Bolts (M8107) and (2) Nuts (NM815). Ensure the top of the Floor Support is flush with the top edges of the Floor Rails.

Note: You may need a Rubber Mallet to position the Floor Support.



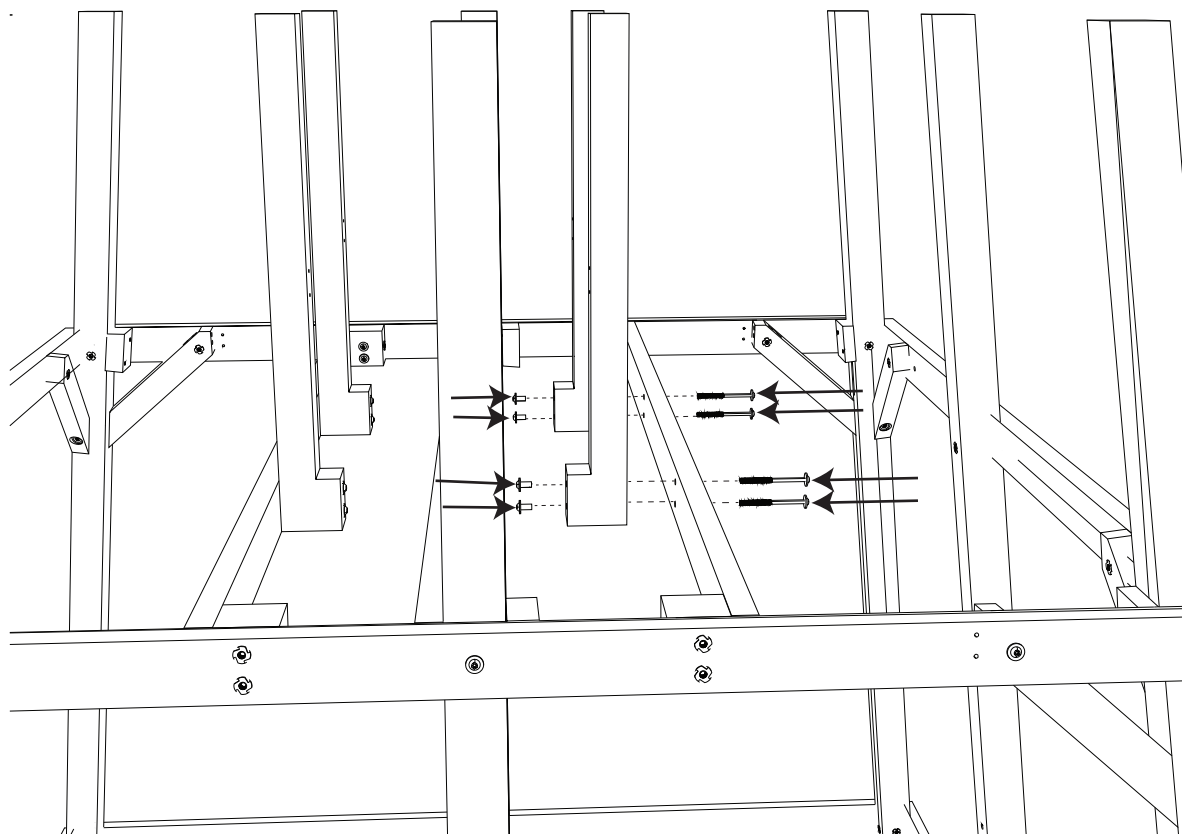
### Step 51:

Attach (2) Table Legs (CA10) to Floor Support (K05) using (4) Bolts (M8107) and (4) Nuts (BM818). Note the notch orientation.



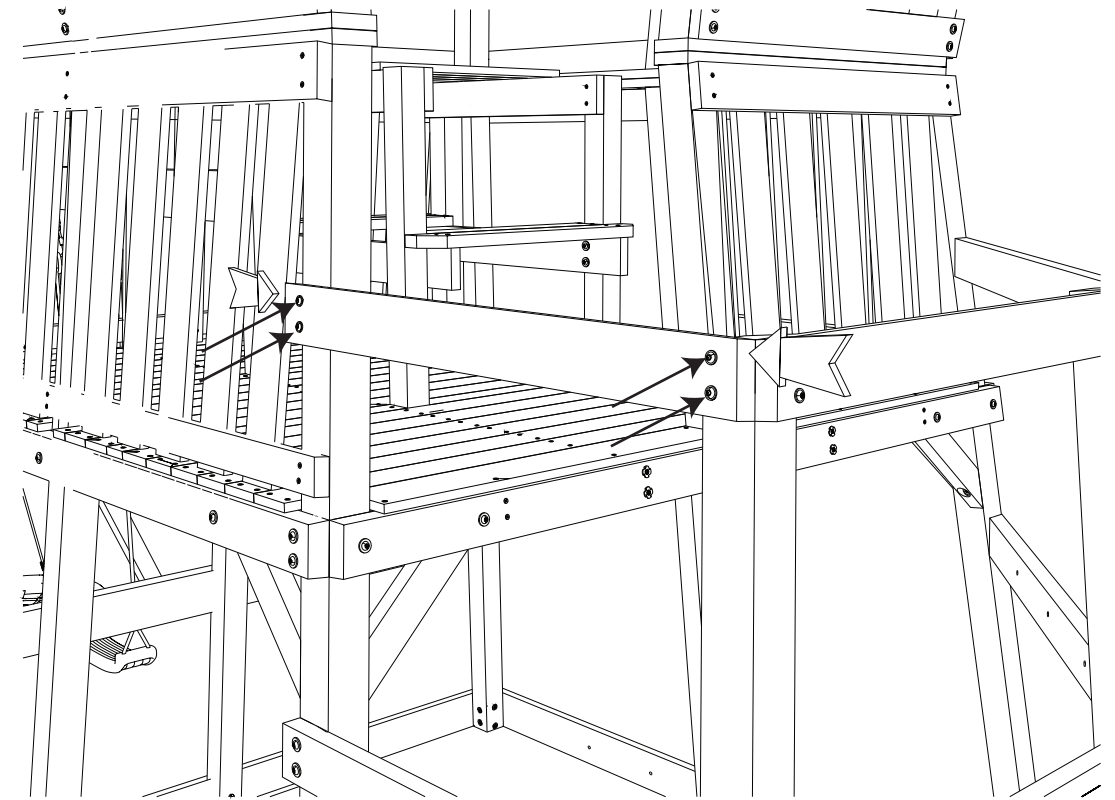
### Step 52:

Attach (2) Table Legs (CA10) to Floor Support (K05) using (4) Bolts (M8107) and (4) Nuts (BM818). Note the notch orientation.



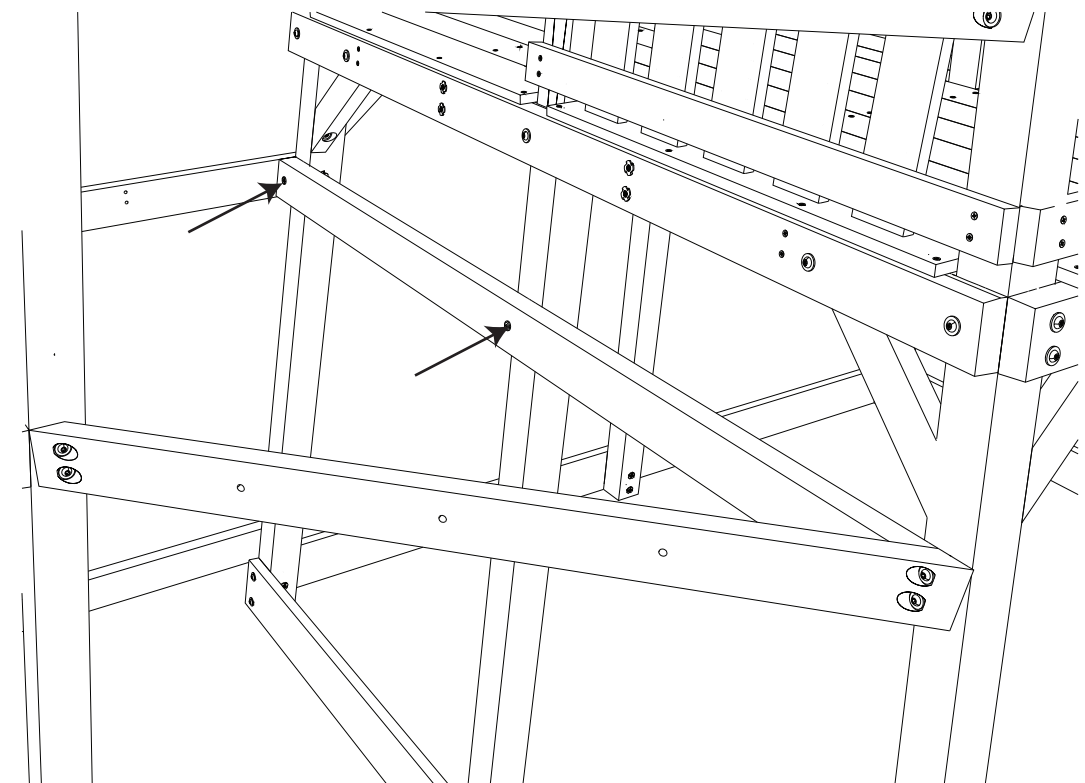
### Step 157:

Attach (1) Small Deck Rail (F05) to the Assembly using (4) Screws (M6SW55). Ensure the outside edges are flush.



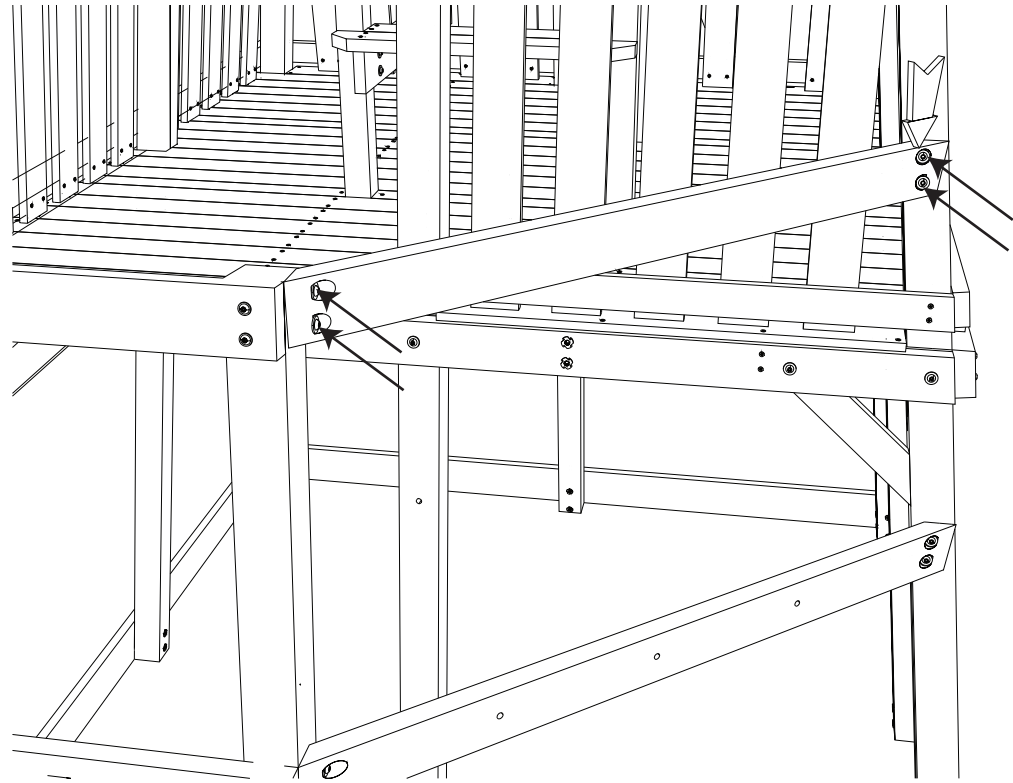
### Step 158:

Attach (1) Small Deck Floor Rail (K24) to the Tower Legs (C03A) and (C06B) using (2) Bolts (M8107). Note: You may need a Rubber Mallet.



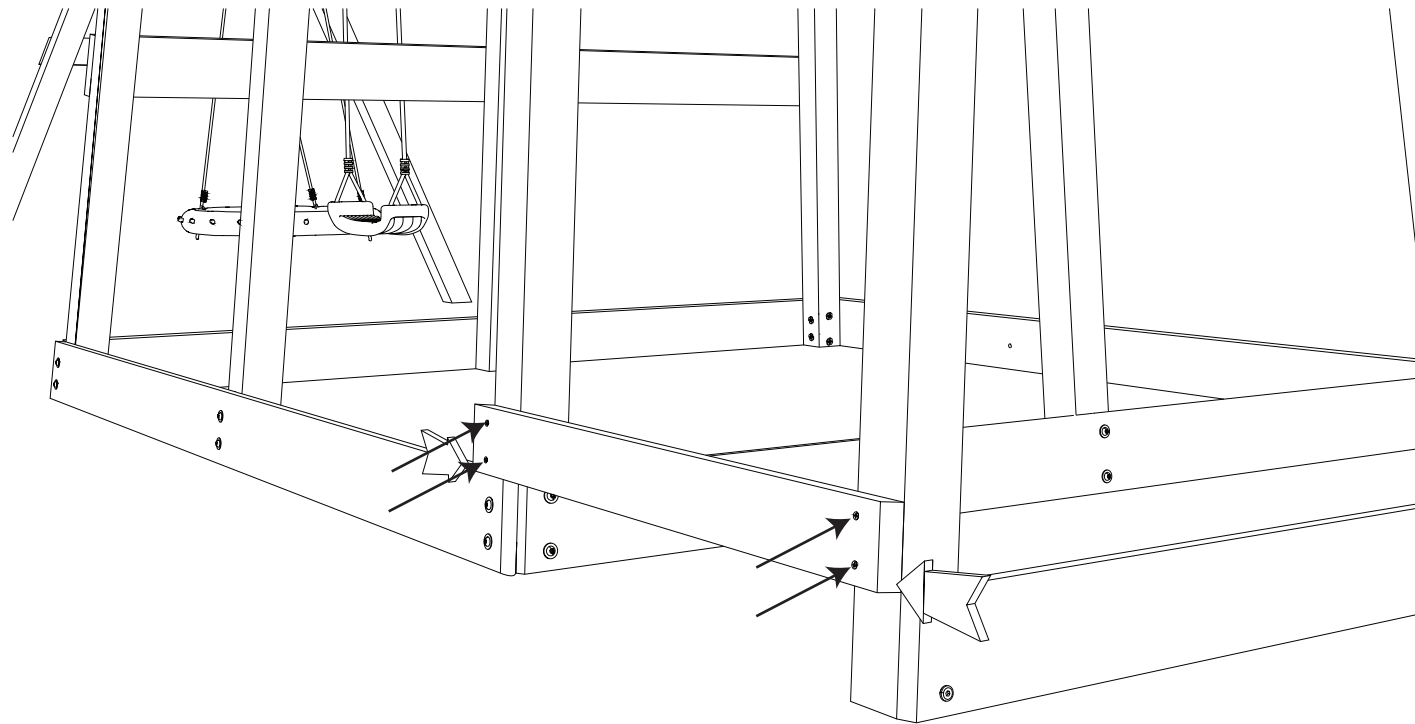
### Step 155:

Using a Level, attach (1) Small Deck Handrail (K26) to the Small Deck Leg (C08A) and the Tower Leg (C01A) using (4) Screws (M8SW50). Ensure that the Small Deck Handrail is flush with the Small Deck Leg.



### Step 156:

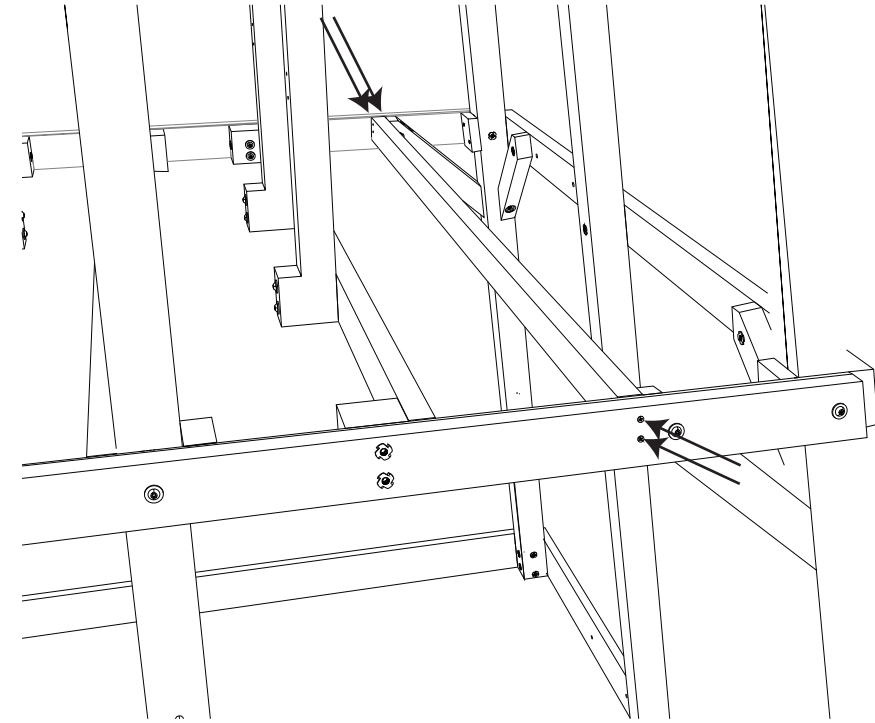
Attach (1) Small Deck Rail (F05) to the Assembly using (4) Screws (SW60). Ensure the outside edges are flush.



### Step 53:

Align (1) Floor Support (KA11) with Wood Braces (KA13). Attach the Floor Support to the Floor Rails using (4) Screws (SW75). Ensure the top of the Floor Support is flush with the top edges of the Floor Rails.

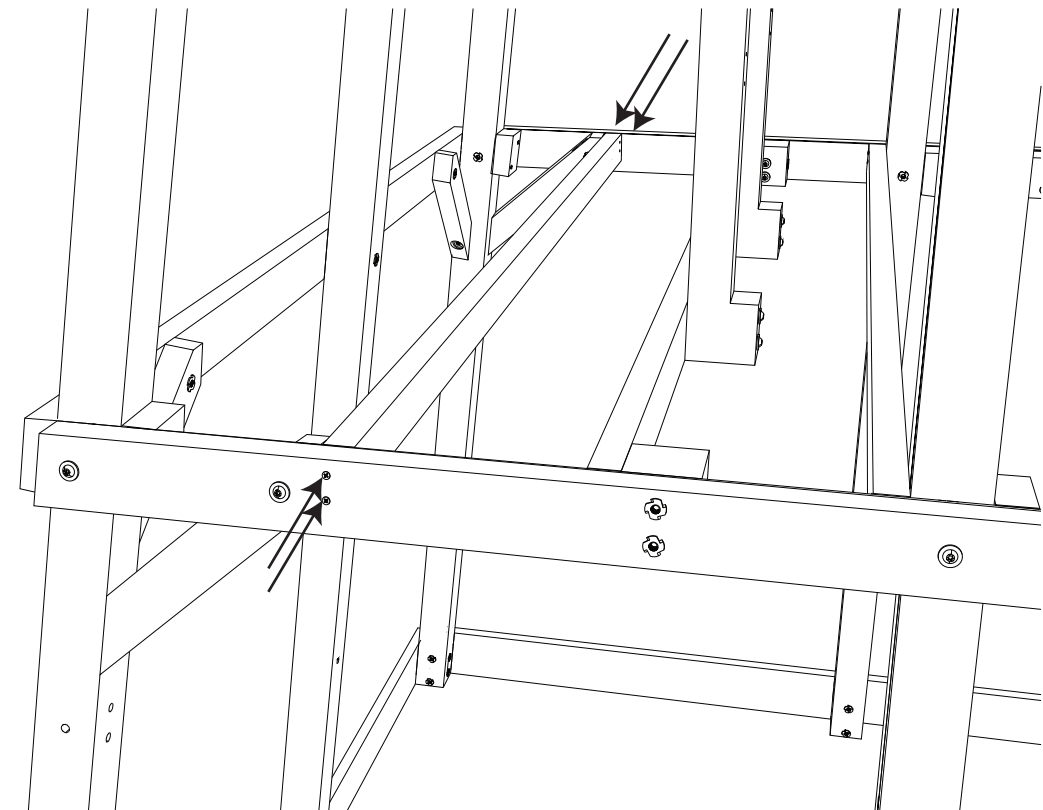
Note: You may need a Rubber Mallet to position the Floor Support.



### Step 54:

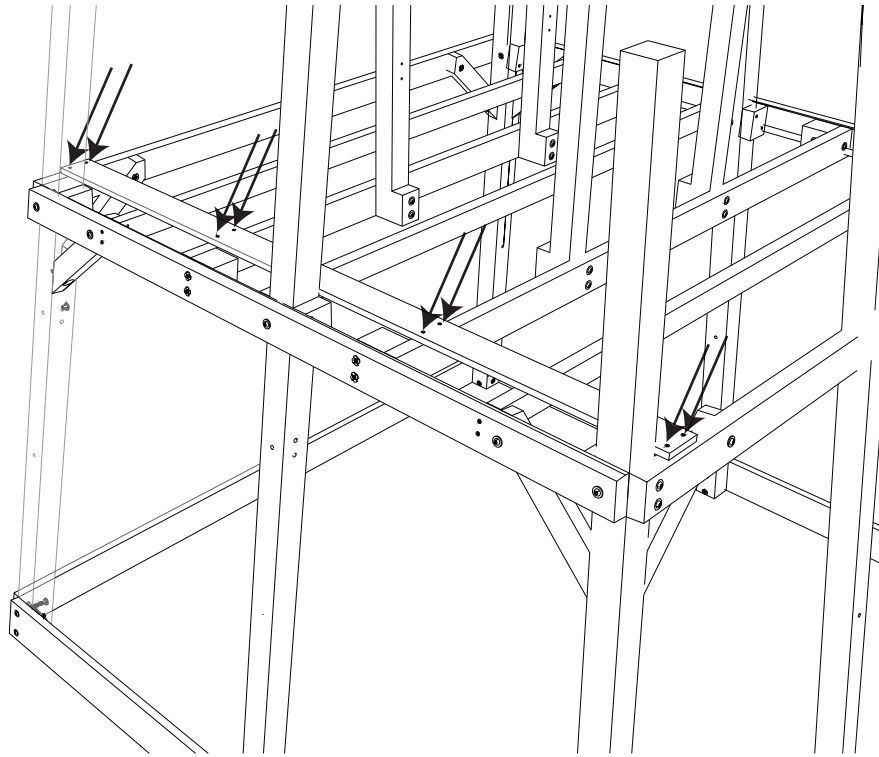
Align (1) Floor Support (KA11) with Wood Braces (KA13). Attach the Floor Support to the Floor Rails using (4) Screws (SW75). Ensure the top of the Floor Support is flush with the top edges of the Floor Rails.

Note: You may need a Rubber Mallet to position the Floor Support.



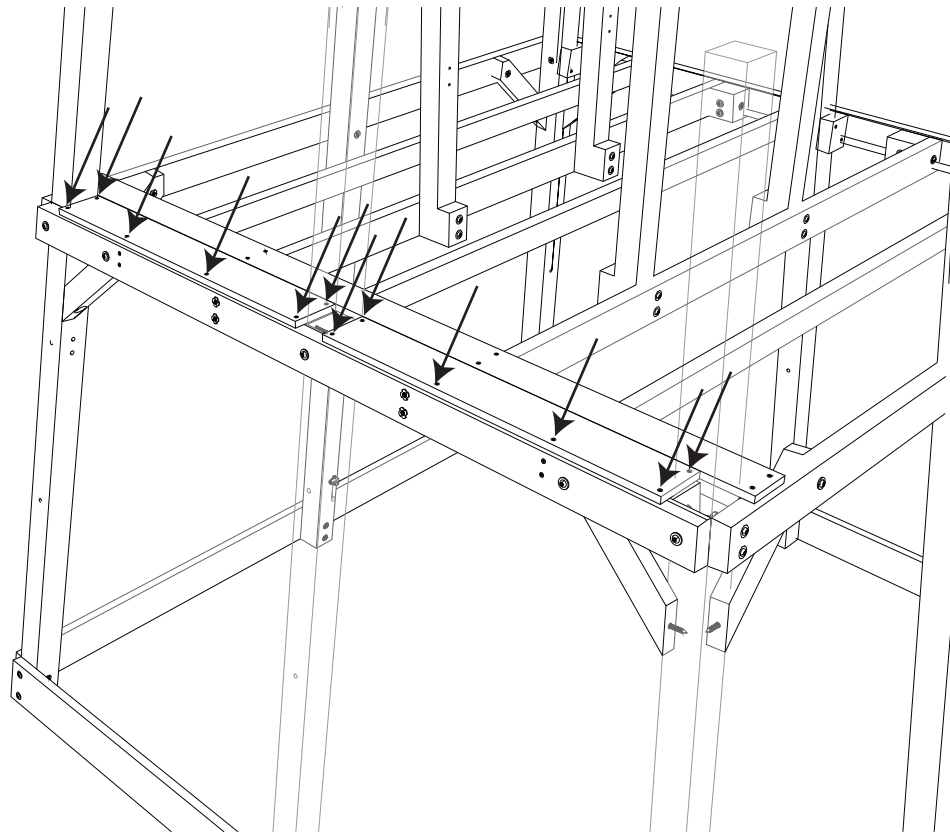
### Step 55:

Attach (1) Floorboard (W11) to Floor Rails (K06) and Floor Supports (K05) using (8) Screws (SW35). Ensure the Floorboard is flush with the Tower Legs.



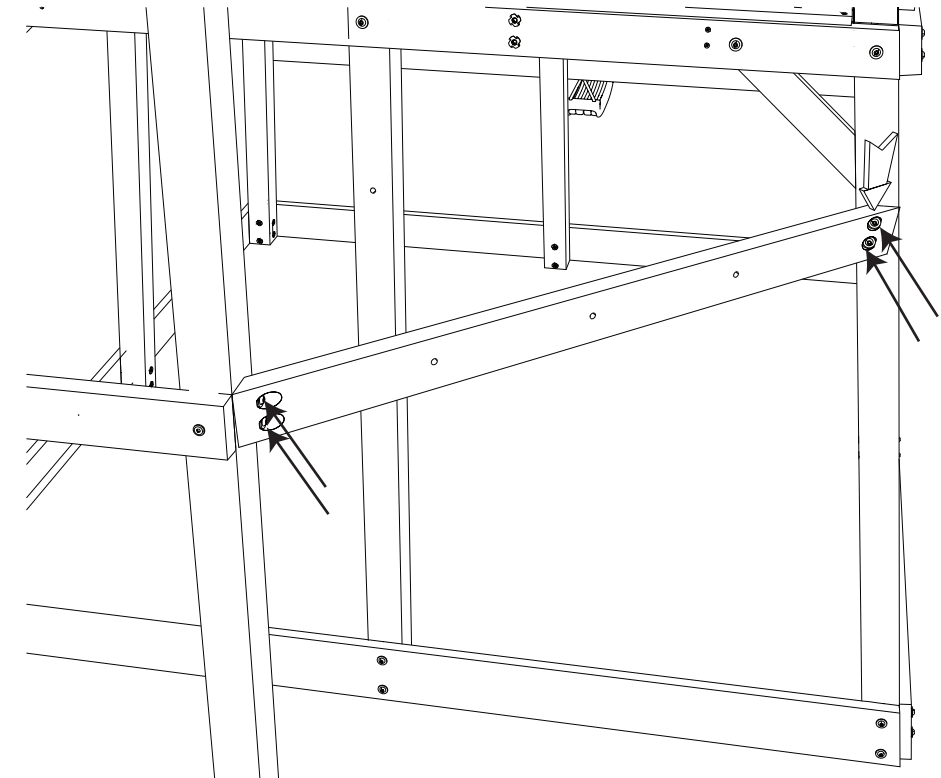
### Step 56:

Attach (2) Floorboards (W13) to Floor Supports (FA17) and Floor Rail (K08) using (12) Screws (SW35).



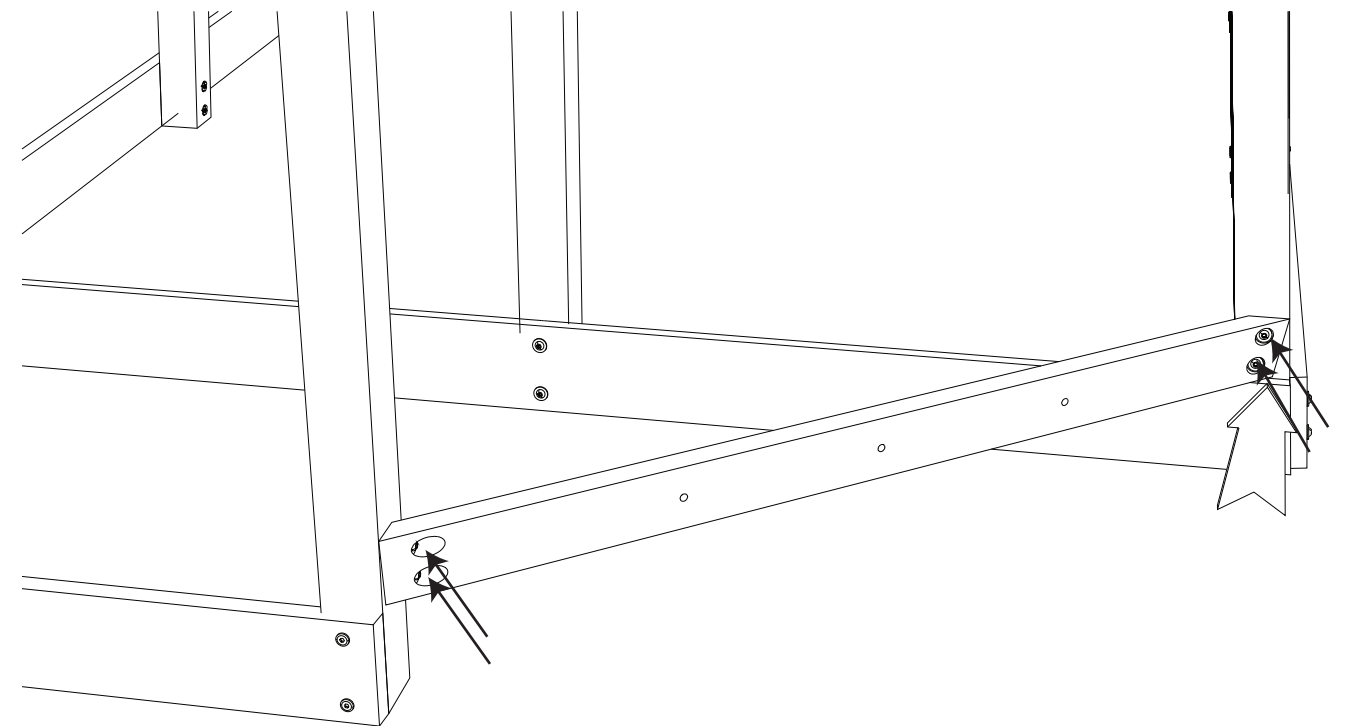
### Step 153:

Using a Level, attach (1) Small Deck Floor Rail (K23) to the Small Deck Leg (C08A) and the Tower Leg (C01A) using (4) Screws (M8SW50). Ensure that the Small Deck Floor Rail is flush with the Small Deck Floor Rail (K02).



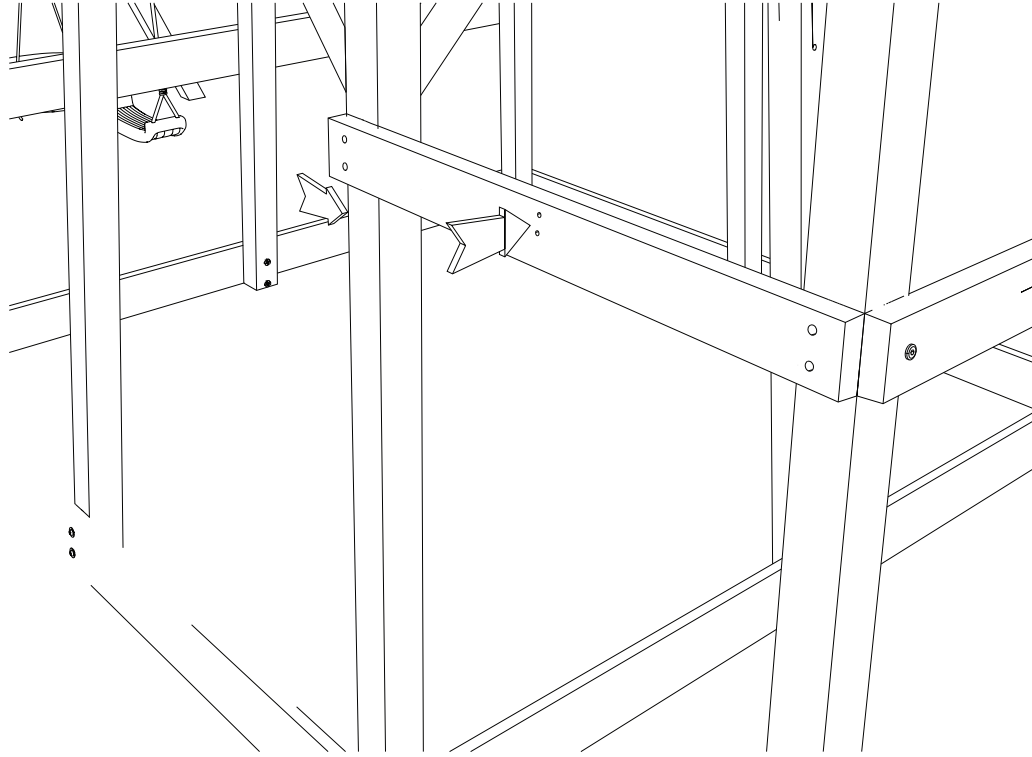
### Step 154:

Using a Level, attach (1) Small Deck Base Board (K22) to the Small Deck Leg (C08A) and the Tower Leg (C01A) using (4) Screws (M8SW50). Ensure that the Small Deck Base Board is set on top of Base Board (S03).



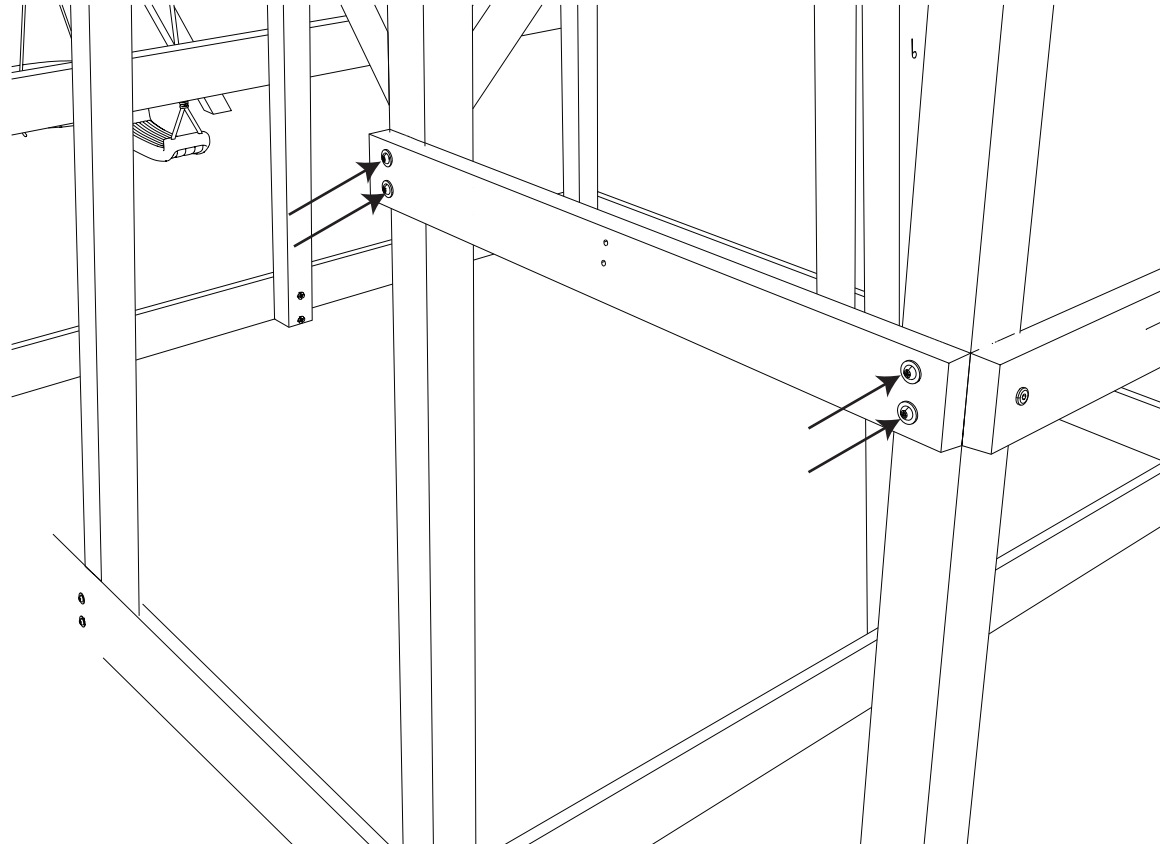
### Step 151:

Align (1) Small Deck Floor Rail (K01) with Tower Leg (C03A) and Small Deck Leg (C07). Note the orientation of the angled edge. The predrilled holes in the center must be oriented toward the top edge of the Rail.



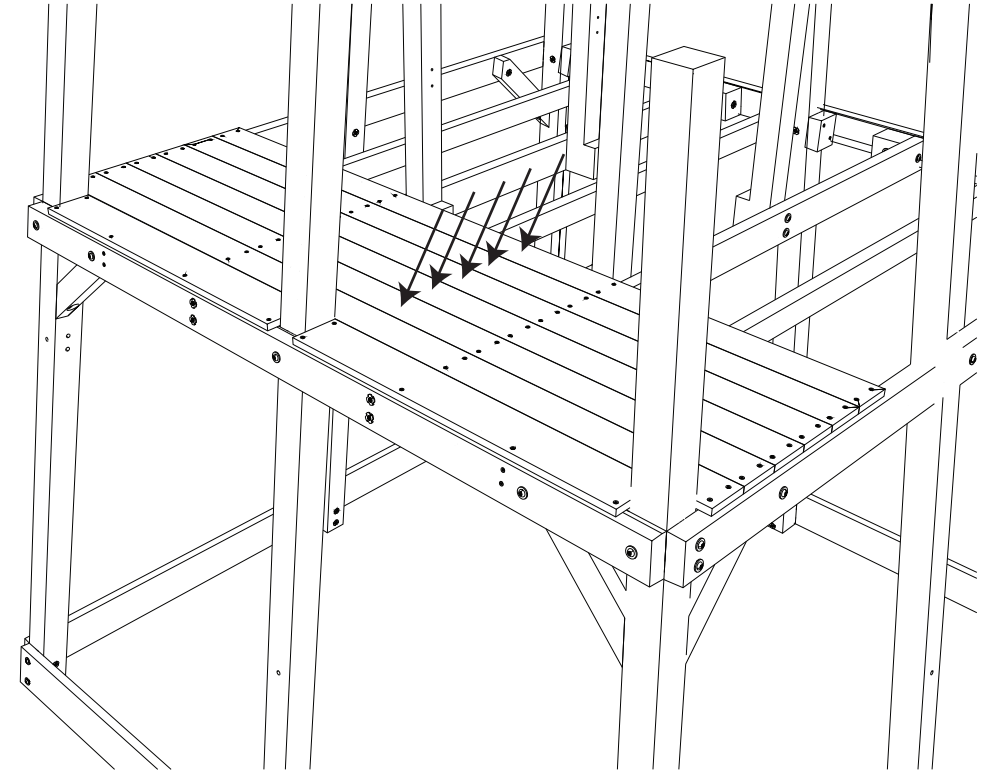
### Step 152:

Attach the Small Deck Floor Rail using (4) Bolts (M8107).



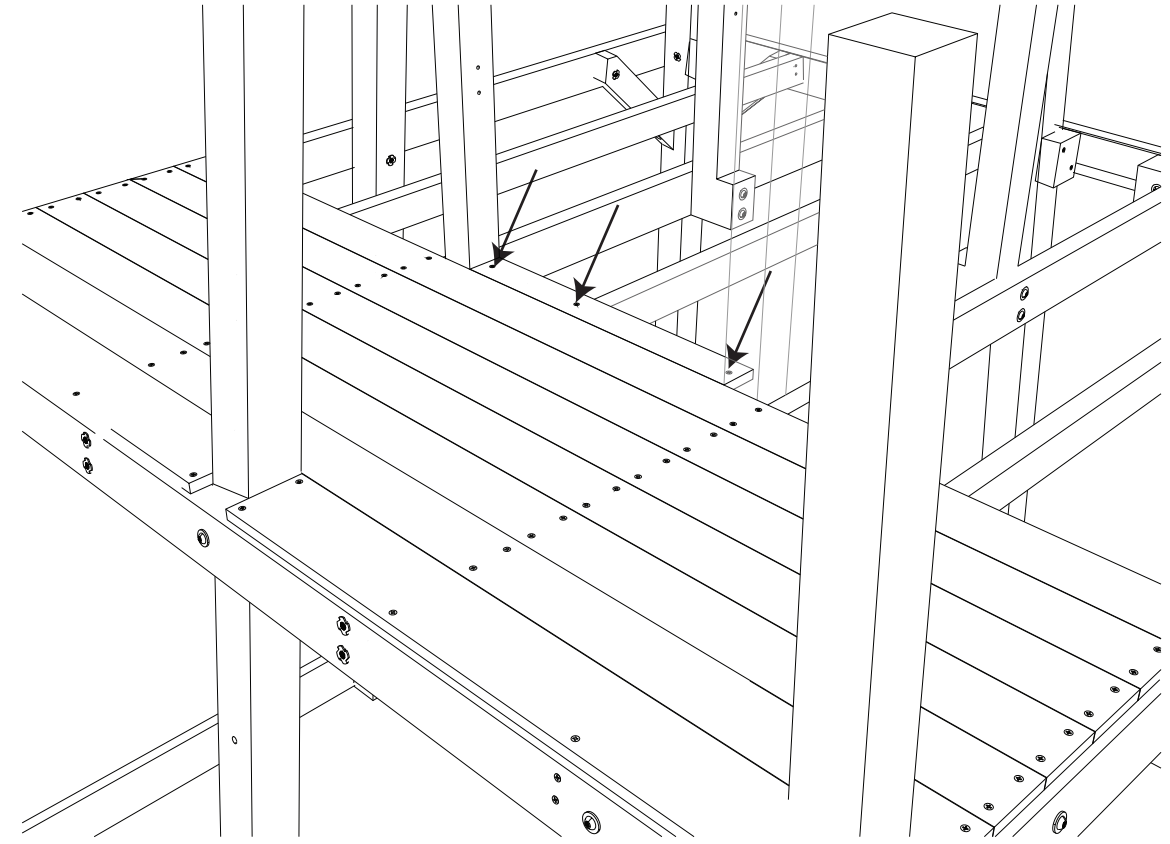
### Step 57:

Evenly space (5) Floorboards (W09) and attach to Floor Rails (K06) and Floor Supports (K05) using (40) Screws (SW35).



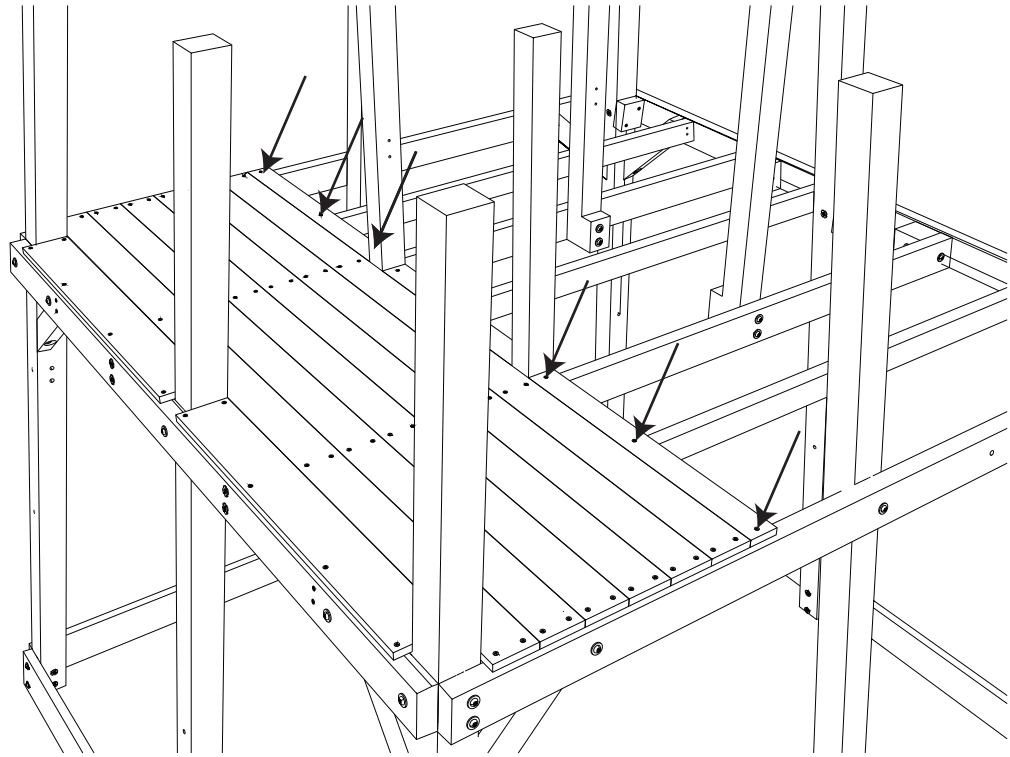
### Step 58:

Attach (1) Floorboard (W01) to Table Legs (CA10) and Floor Support (KA11) using (3) Screws (SW35).



### Step 59:

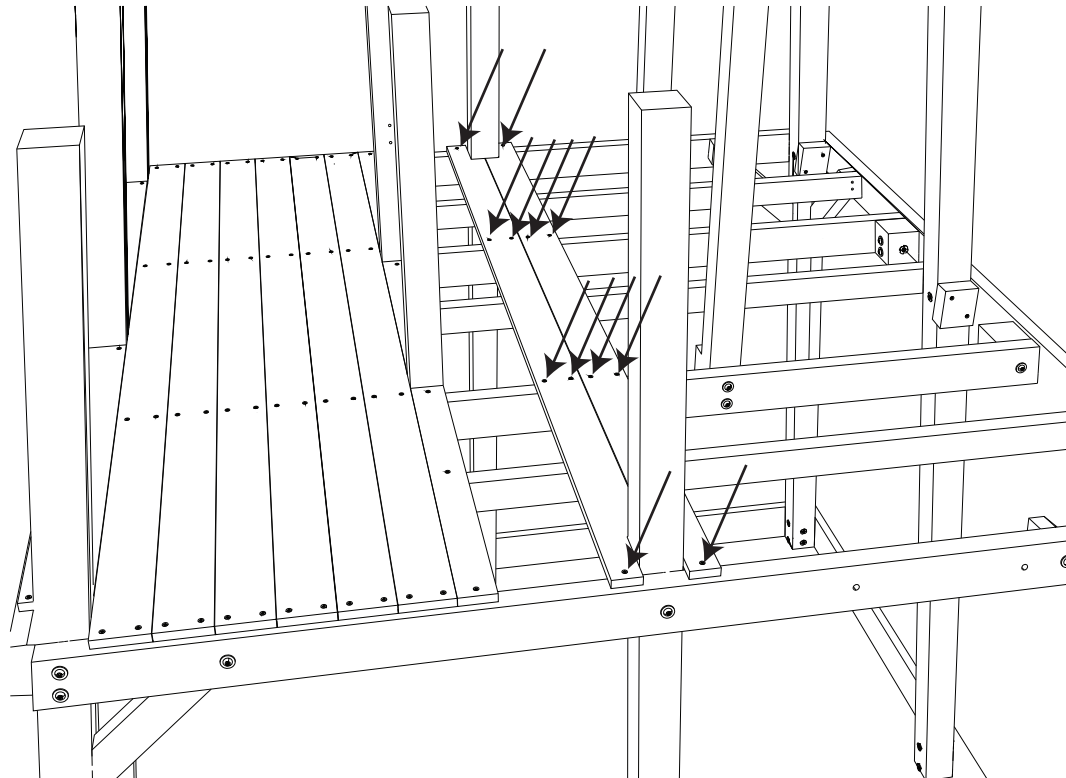
Attach (2) Floorboards (W02) to Floor Rails (K06) and Floor Supports (K05) using (6) Screws (SW35).



### Step 60:

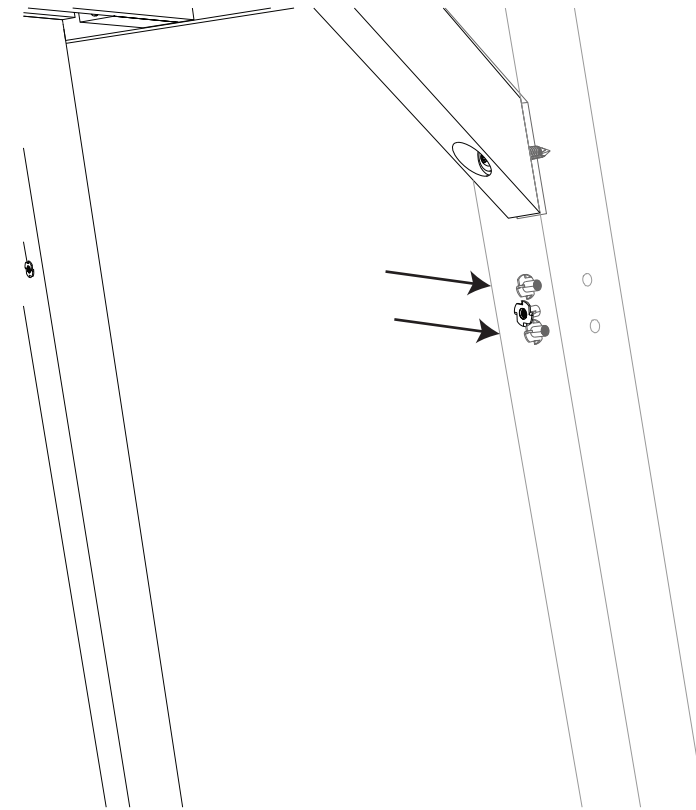
Attach (2) Floorboards (W10) to Floor Rails (K06) and Floor Supports (K05) using (12) Screws (SW35). The Floorboards must be tight against Tower Legs (C04A).

Note: You may need a Rubber Mallet.



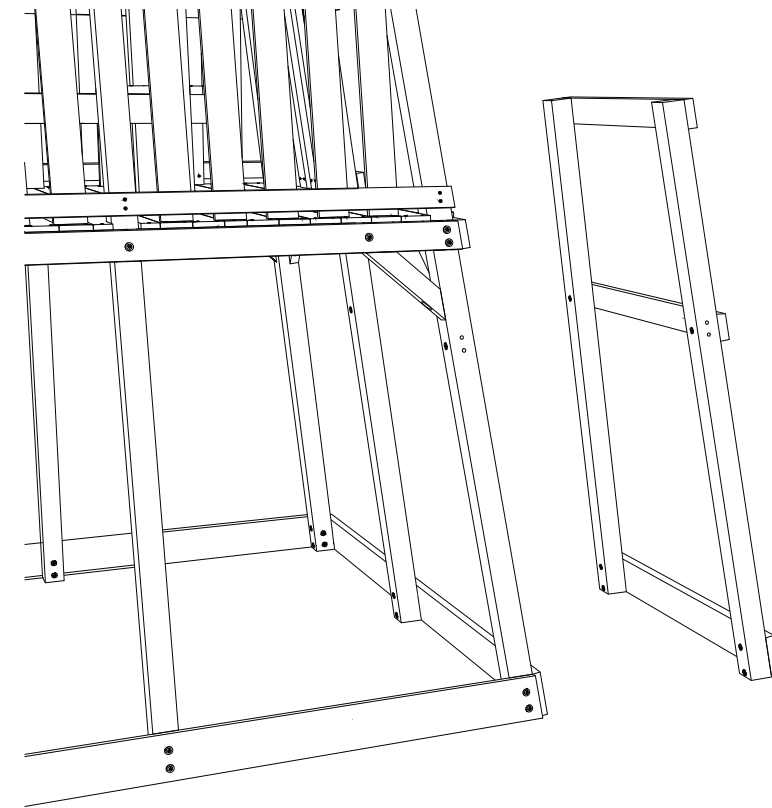
### Step 149:

Insert (2) Nuts (NM815) into the Tower Leg (C03A).



### Step 150:

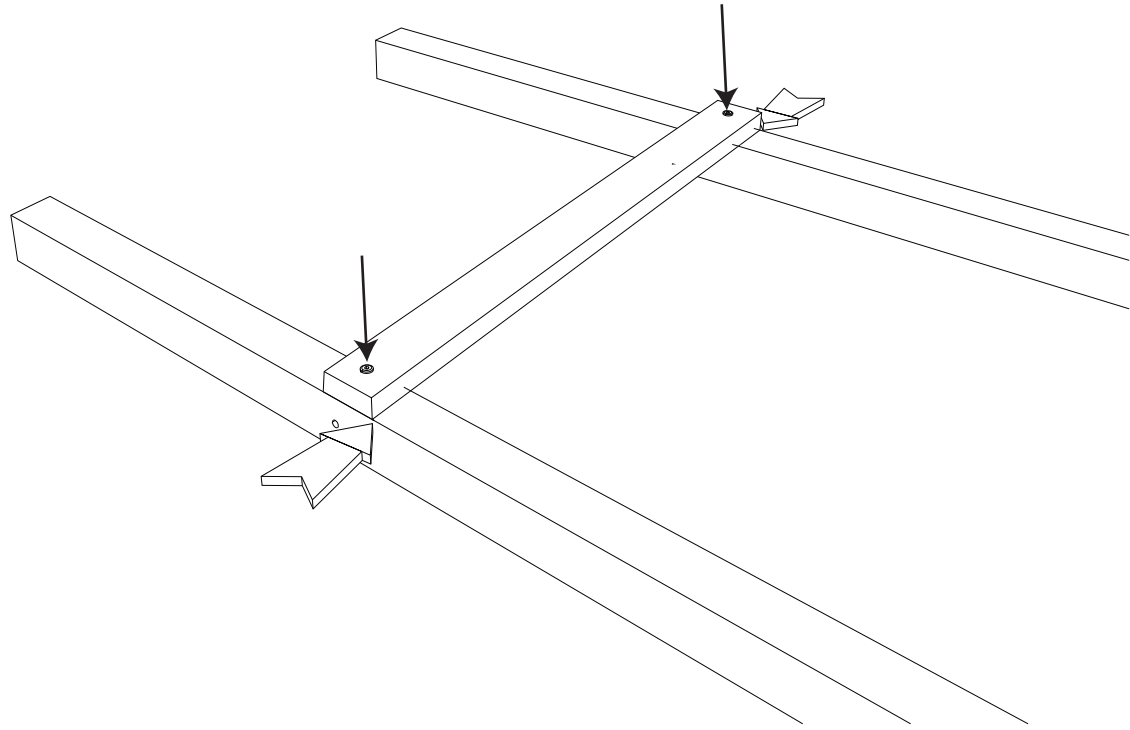
Stand and align the Small Deck Leg Assembly with the Tower Legs (C06B) and (C03A).





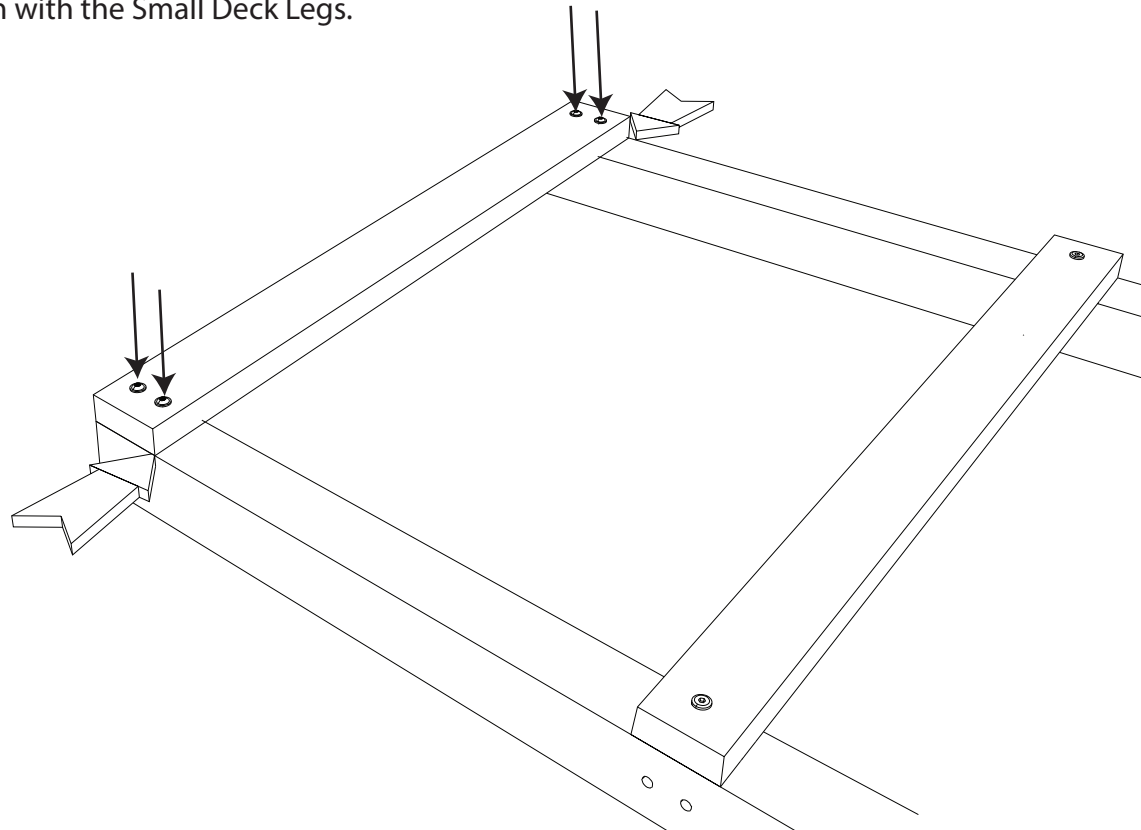
### Step 147:

Attach (1) Small Deck Floor Rail (K02) to the Small Deck Legs using (2) Bolts (M8107). Note the orientation of the angled edge. Ensure the outside edges are flush.



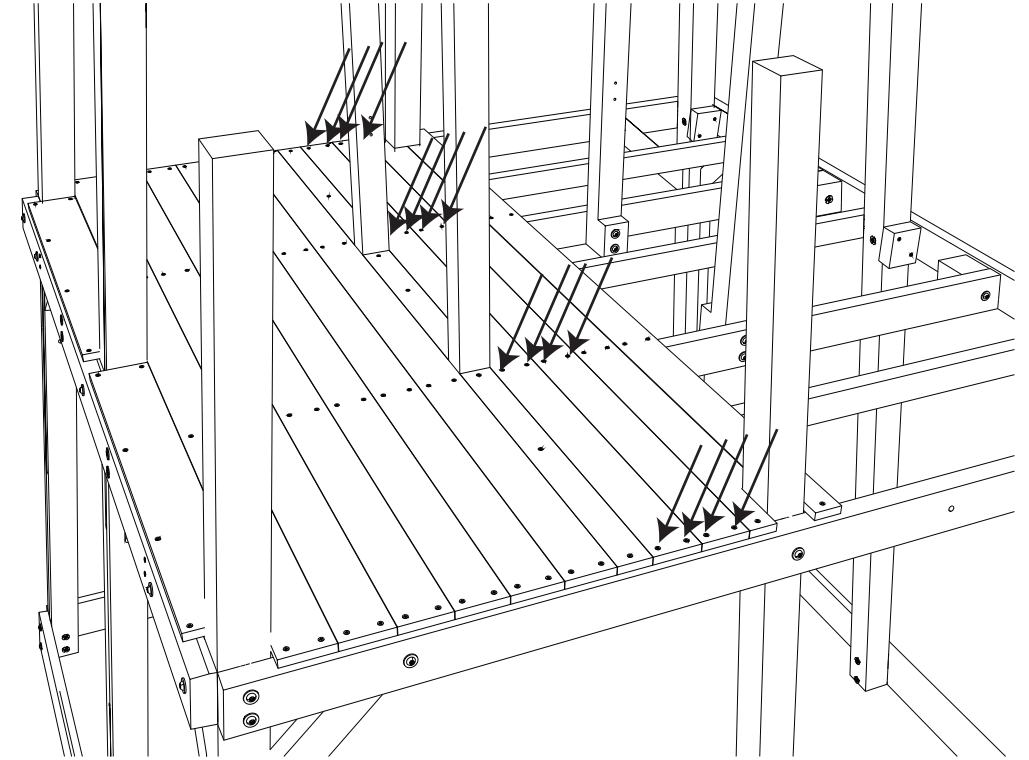
### Step 148:

Attach (1) Small Deck Handrail (F07) to the Small Deck Legs using (4) Screws (M6SW55). Ensure the outside edges are flush with the Small Deck Legs.



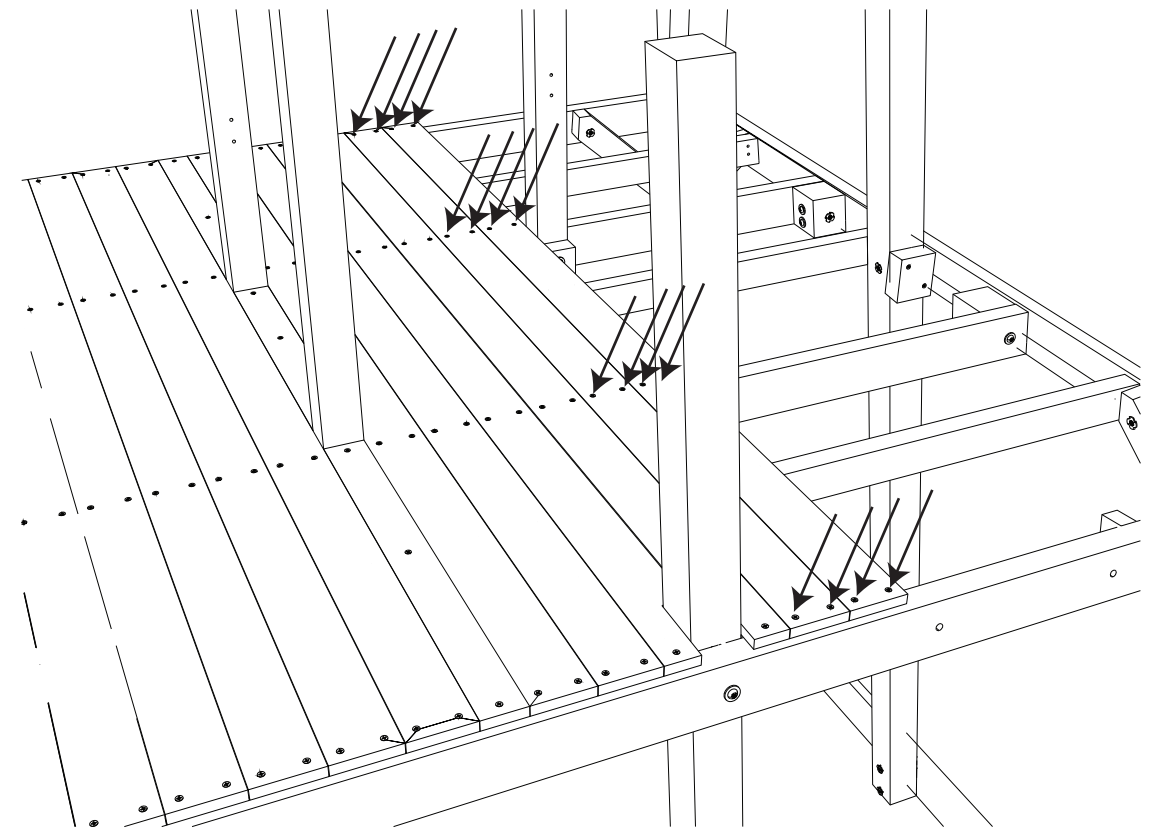
### Step 61:

Attach (2) Floorboards (W09) to Floor Rails (K06) and Floor Supports (K05) using (16) Screws (SW35).



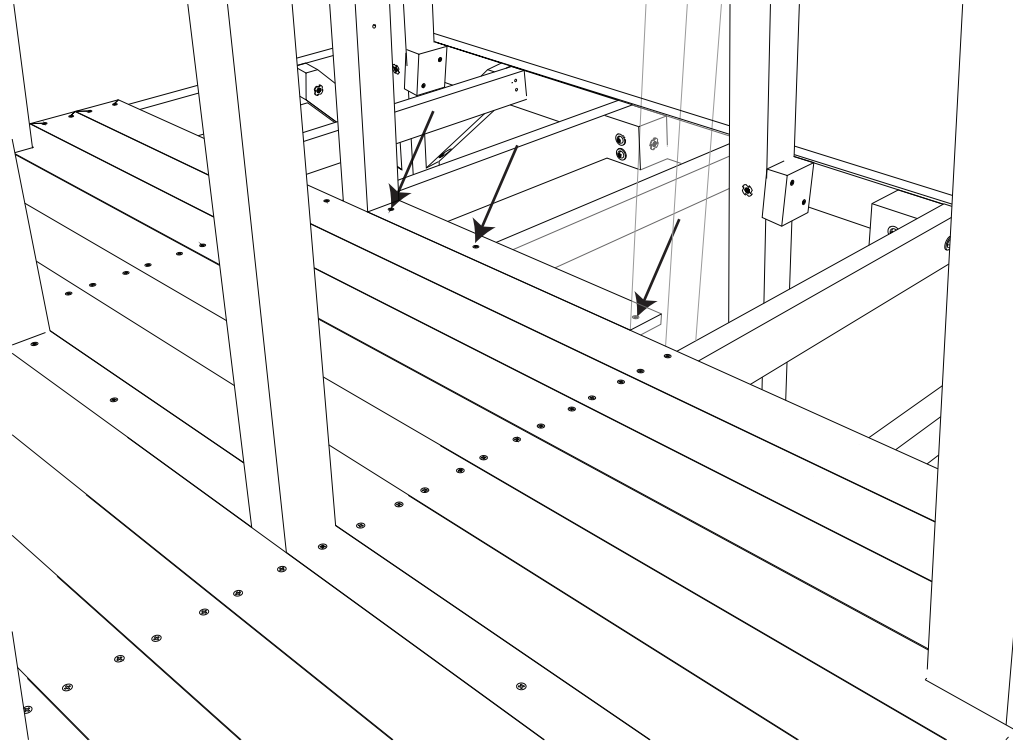
### Step 62:

Attach (2) Floorboards (W09) to Floor Rails (K06) and Floor Supports (K05) using (16) Screws (SW35).



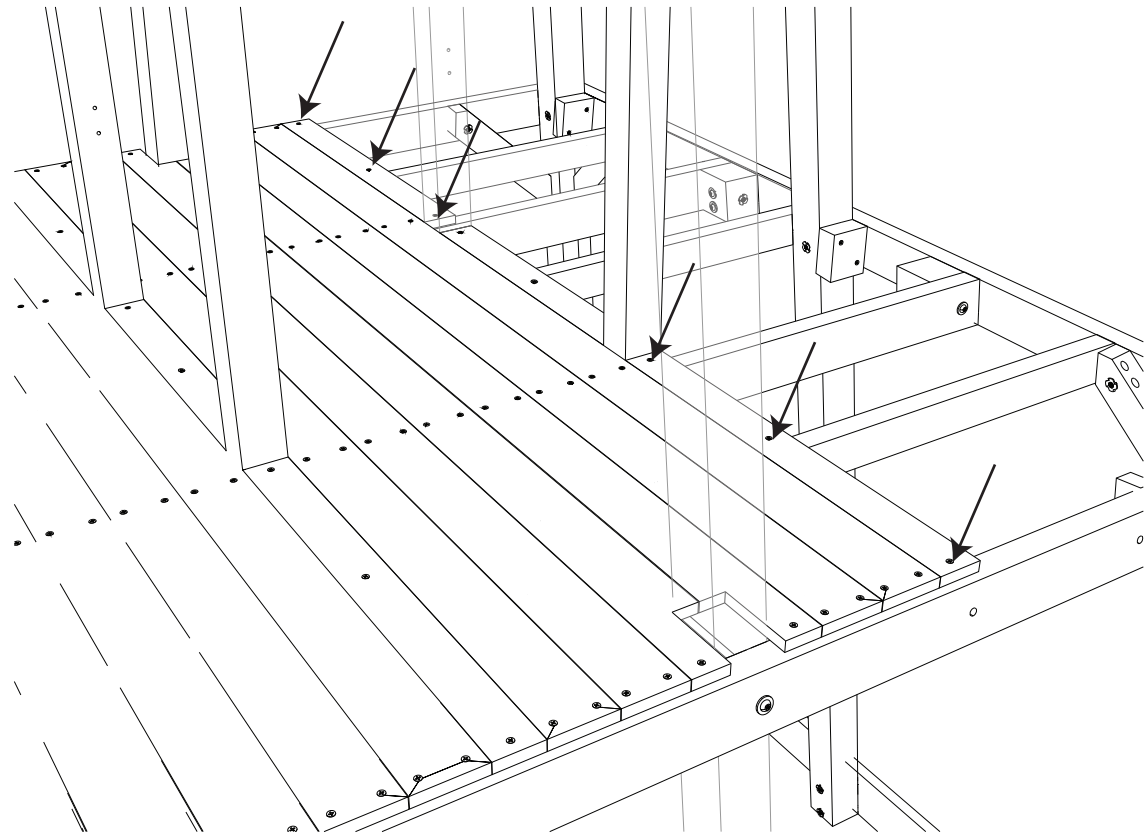
### Step 63:

Attach (1) Floorboard (W01) to Table Legs (CA10) and Floor Support (KA11) using (2) Screws (SW35).



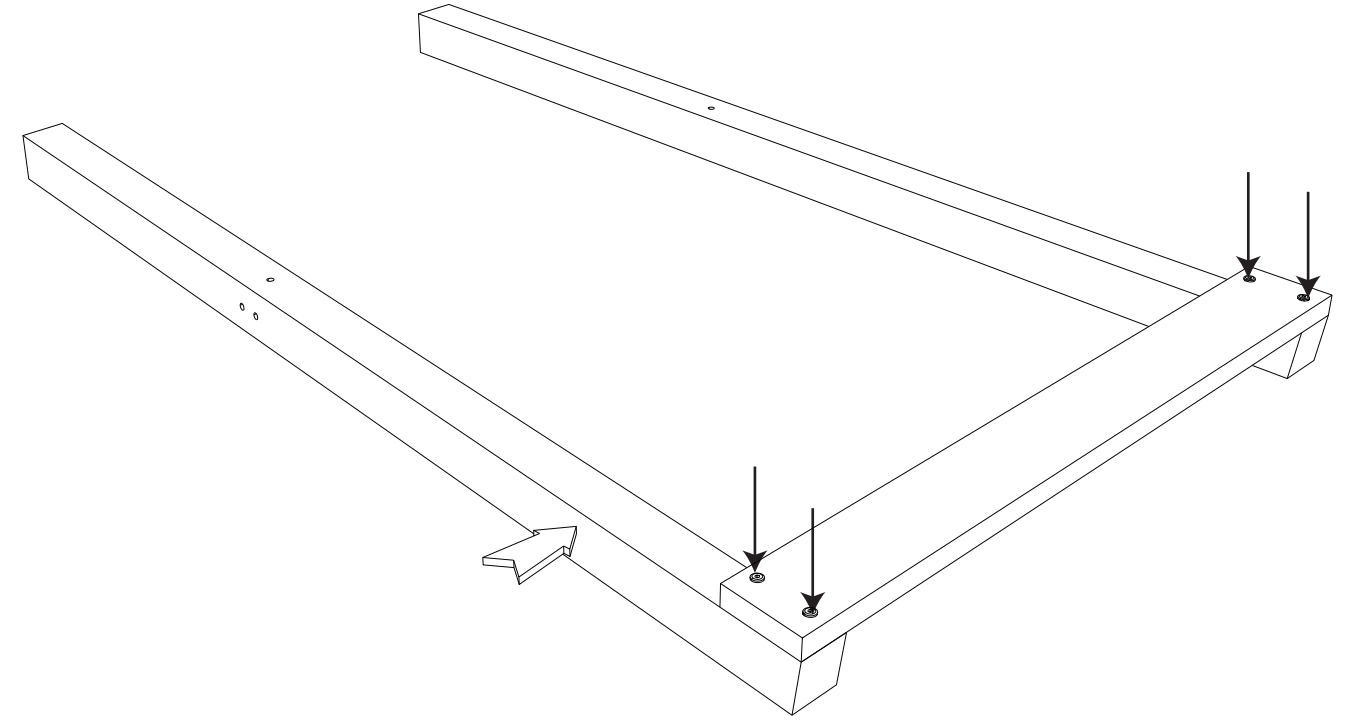
### Step 64:

Attach (2) Floorboards (W02) to Floor Rails (K06) and (K07) and Floor Supports (K05) and (KA11) using (6) Screws (SW35).



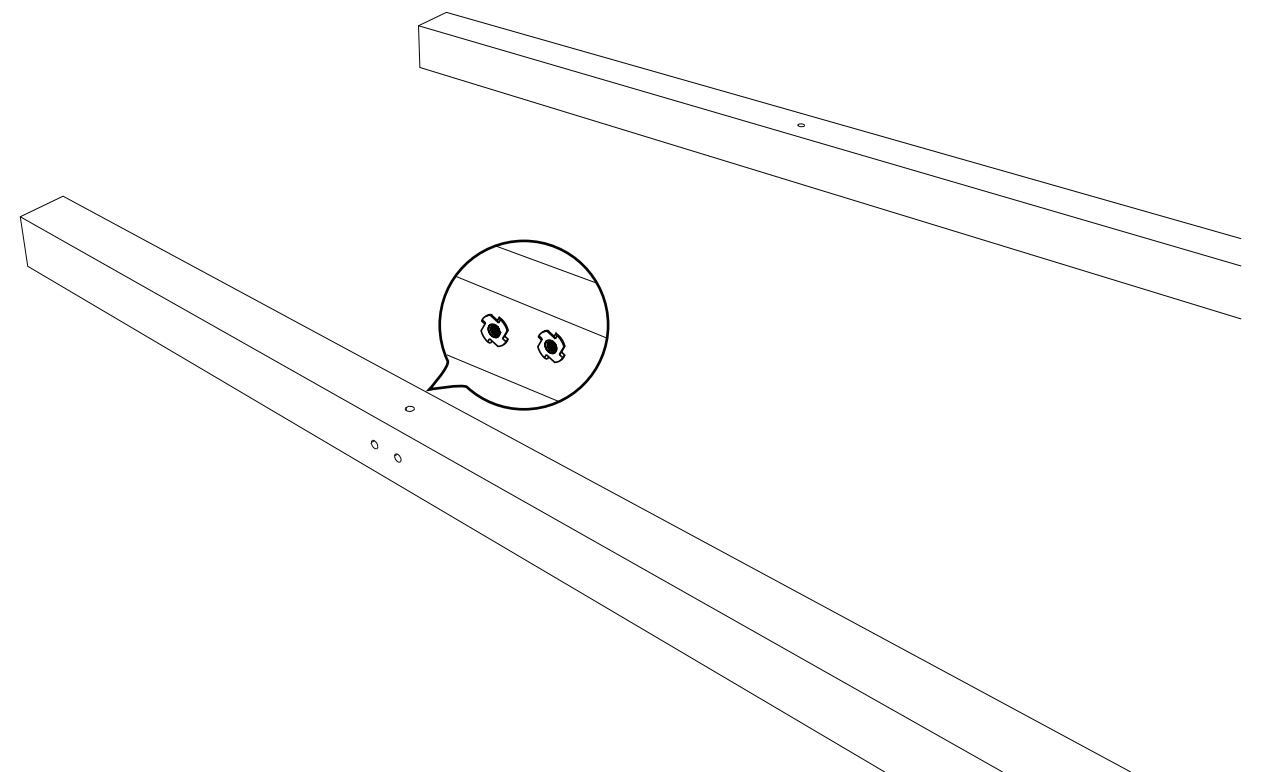
### Step 145:

Rotate the Small Deck Legs 180 degrees. Attach the Small Deck Base Board (S02) using (4) Bolts (M896).



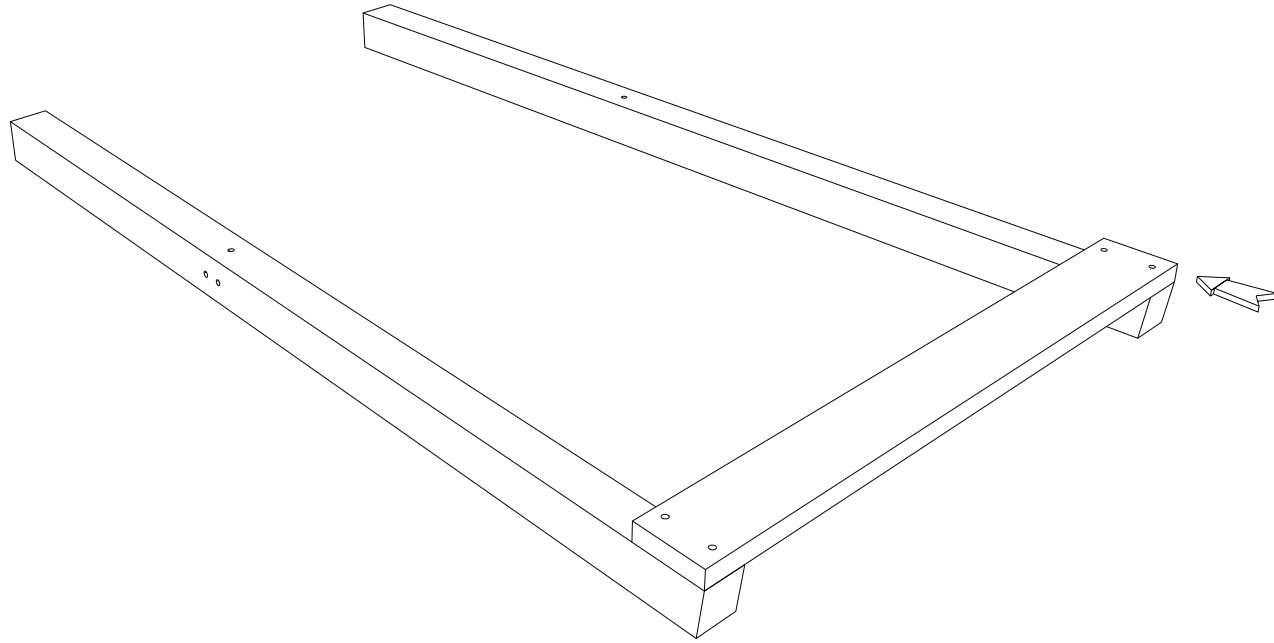
### Step 146:

Insert (2) Nuts (NM815) into the Small Deck Leg (C07).



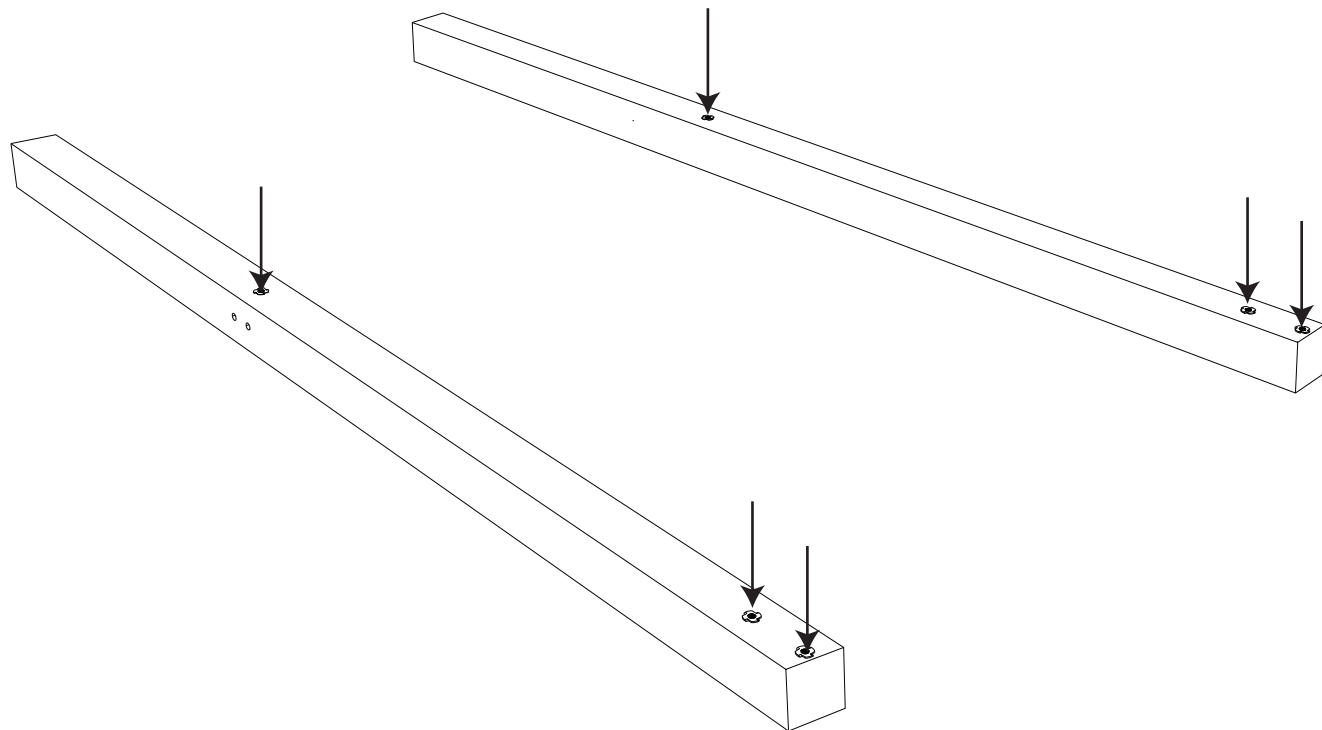
### Step 143:

Align (1) Small Deck Base Board (S02) with the Small Deck Legs. Note the orientation of the angled edge. The edges of the Small Deck Base Board must be flush with the outside edges of the Small Deck Legs.



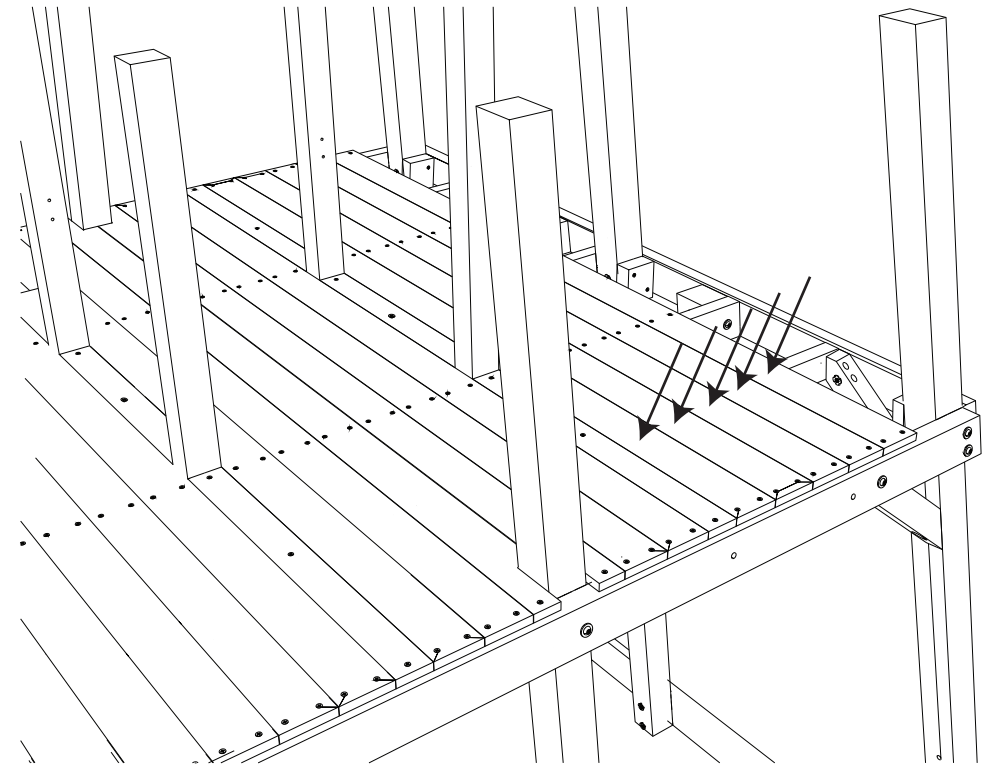
### Step 144:

Rotate the Small Deck Legs 180 degrees. Insert (6) Nuts (NM815) into Small Deck Legs (C07) and (C08A).



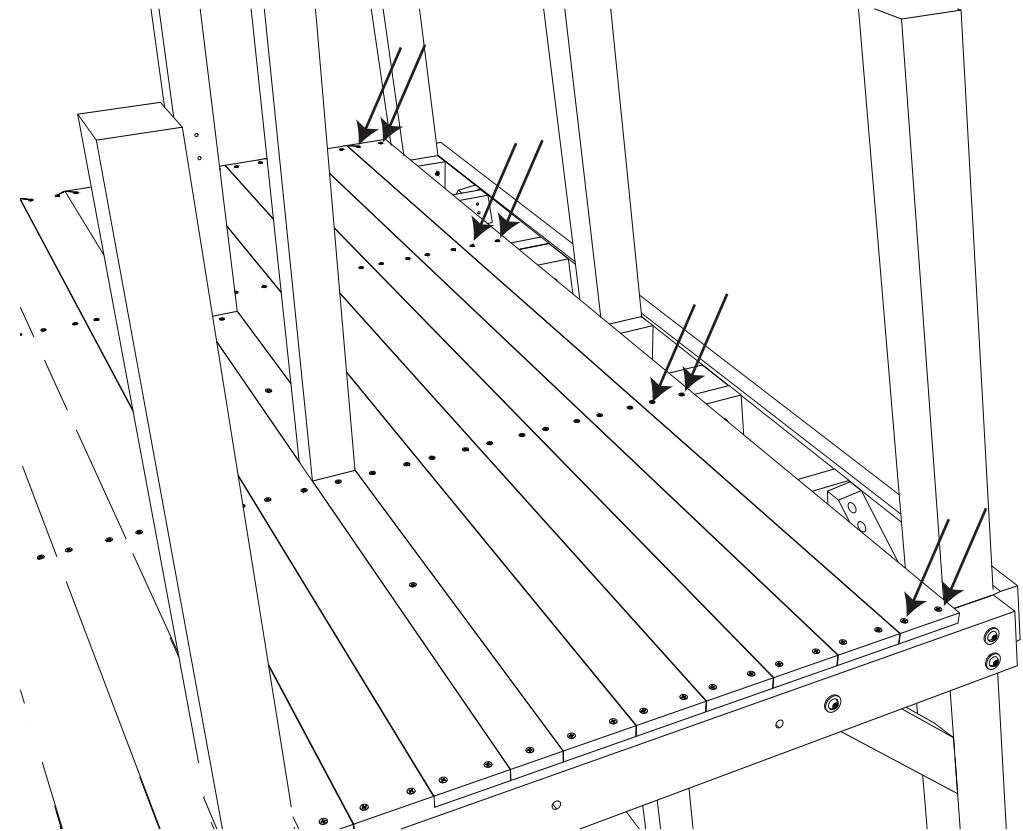
### Step 65:

Attach (5) Floorboards (W09) to Floor Rails (K06) and (K07) and Floor Supports (K05) using (40) Screws (SW35).



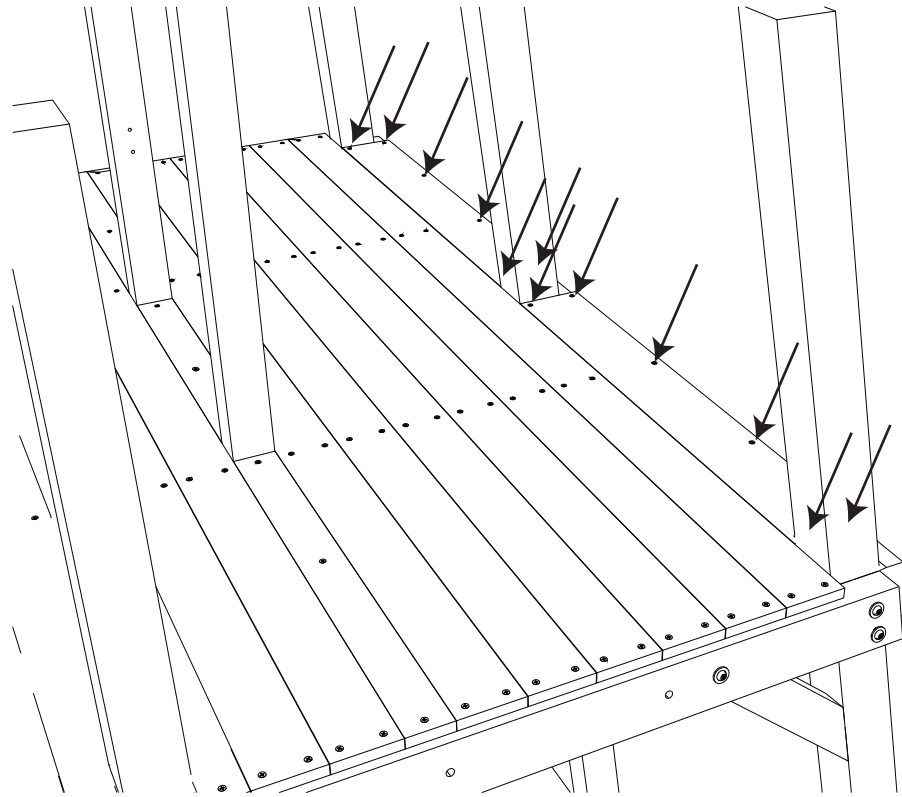
### Step 66:

Attach (1) Floorboard (W11) to Floor Rails (K06) and (K07) and Floor Supports (K05) using (8) Screws (SW35).



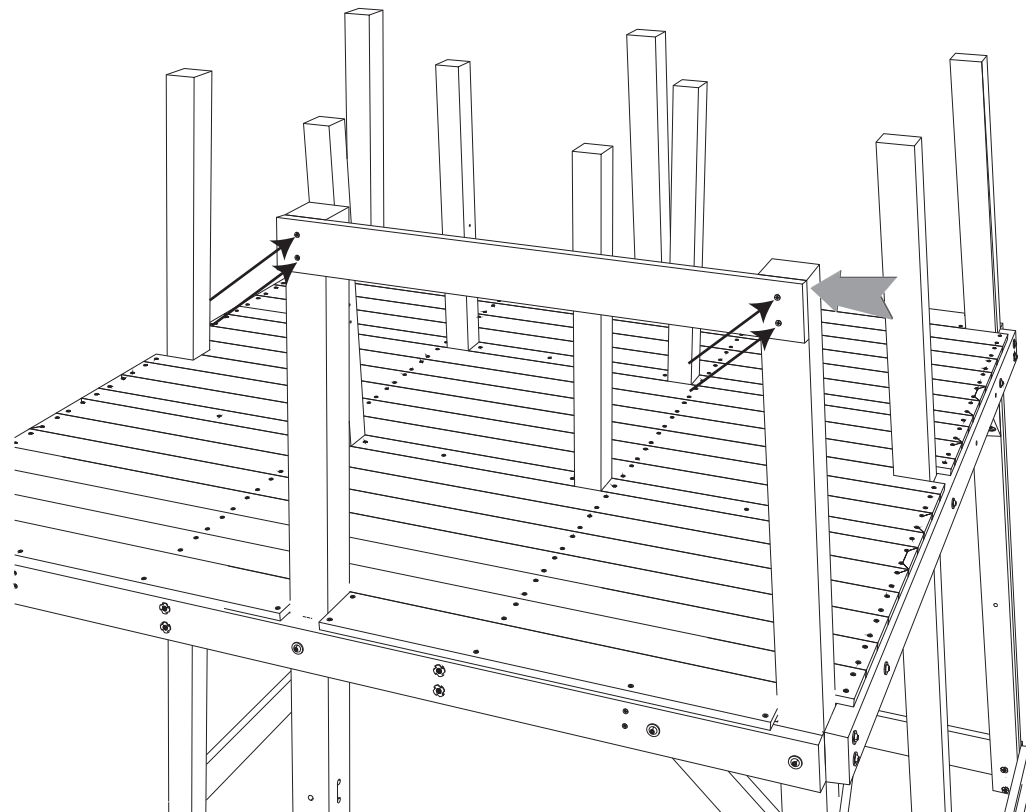
### Step 67:

Attach (2) Floorboards (W13) to Floor Supports (FA17) and Floor Rail (K08) using (12) Screws (SW35). Ensure the Floorboard is flush with the inside edges of the Tower Legs.



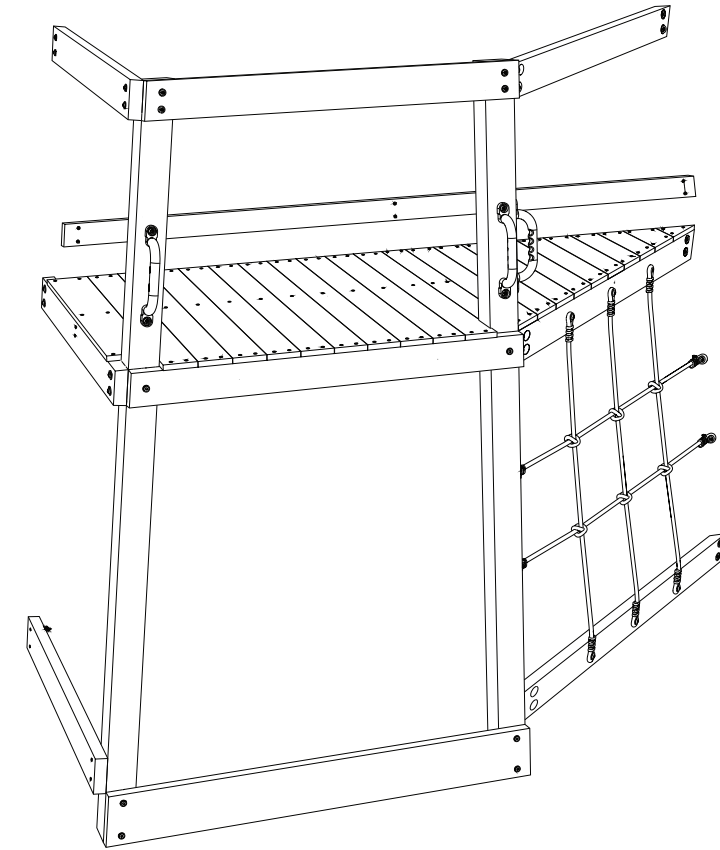
### Step 68:

Attach (1) Handrail (F04) to Tower Legs (C06B) and (C01A) using (4) Screws (SW60). Note the orientation of the angled edge. It must be flush with the outside edge of Tower Leg (C01A). Ensure the outside edge is flush.



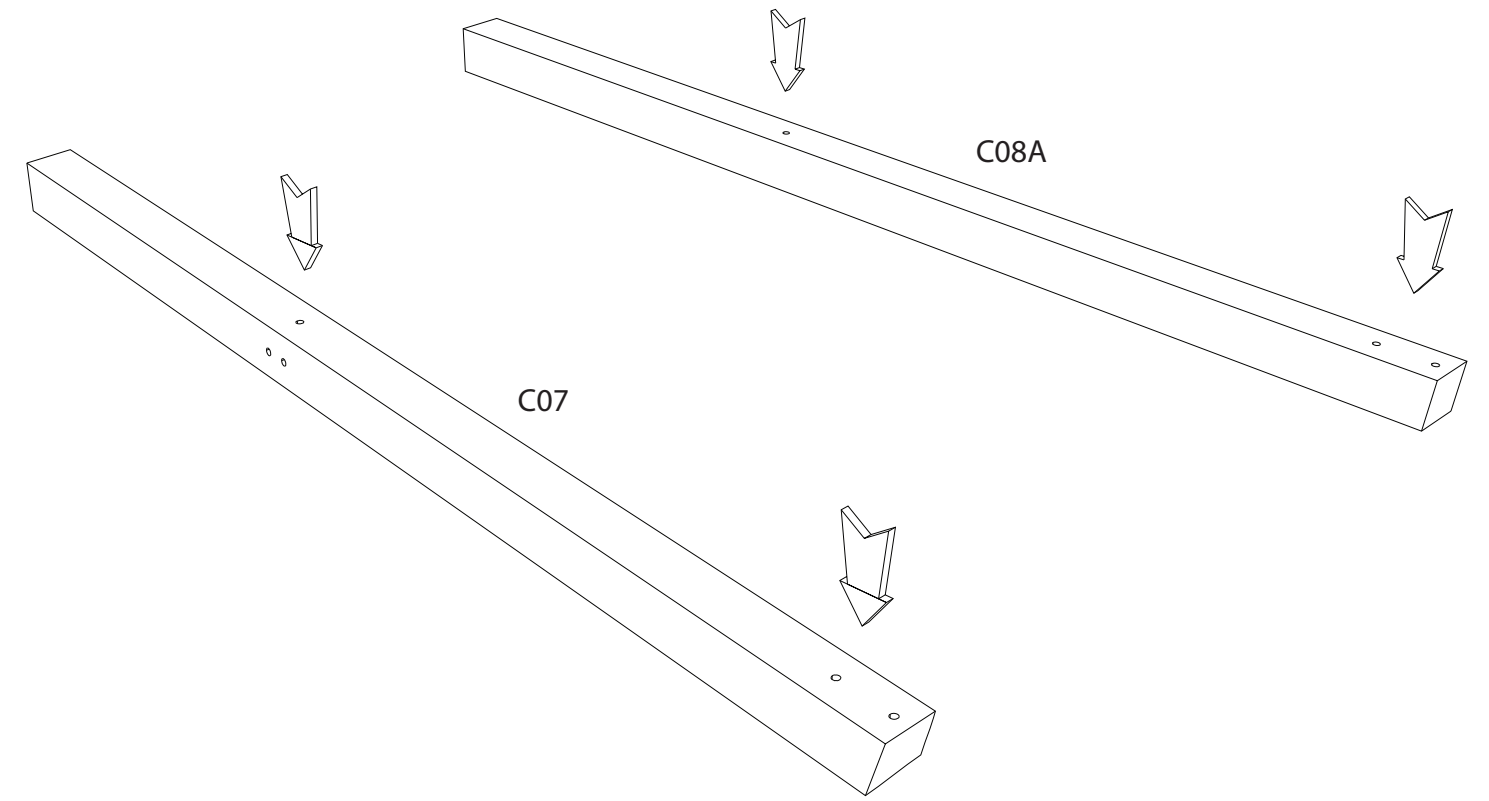
### Step 141:

The following steps will guide you through the Small Deck Assembly.



### Step 142:

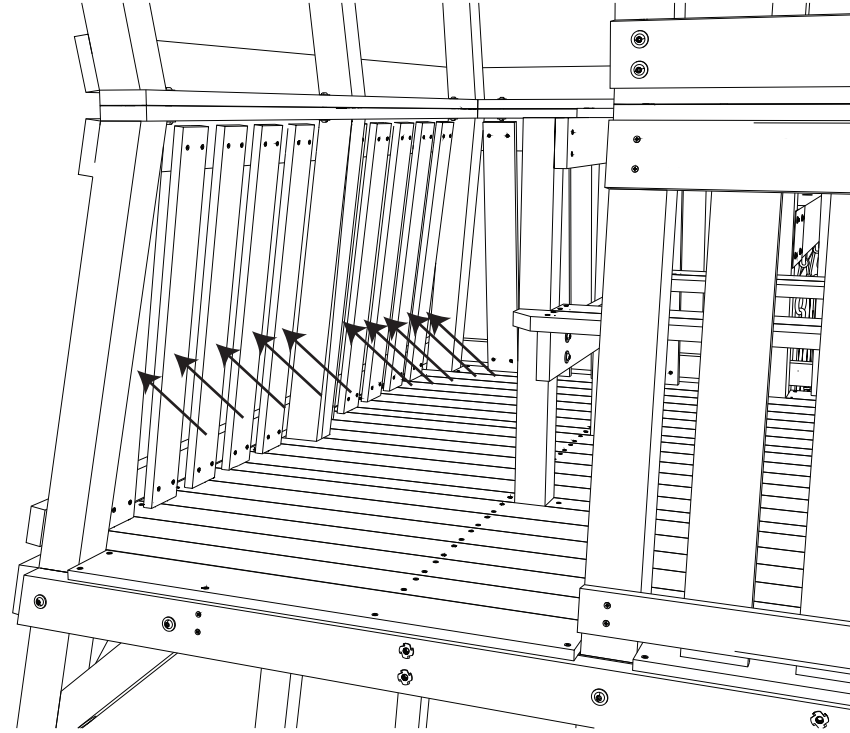
Align (1) Small Deck Leg (C07) and (1) Small Deck Leg (C08A) as shown. Note the hole orientation.



### Step 139:

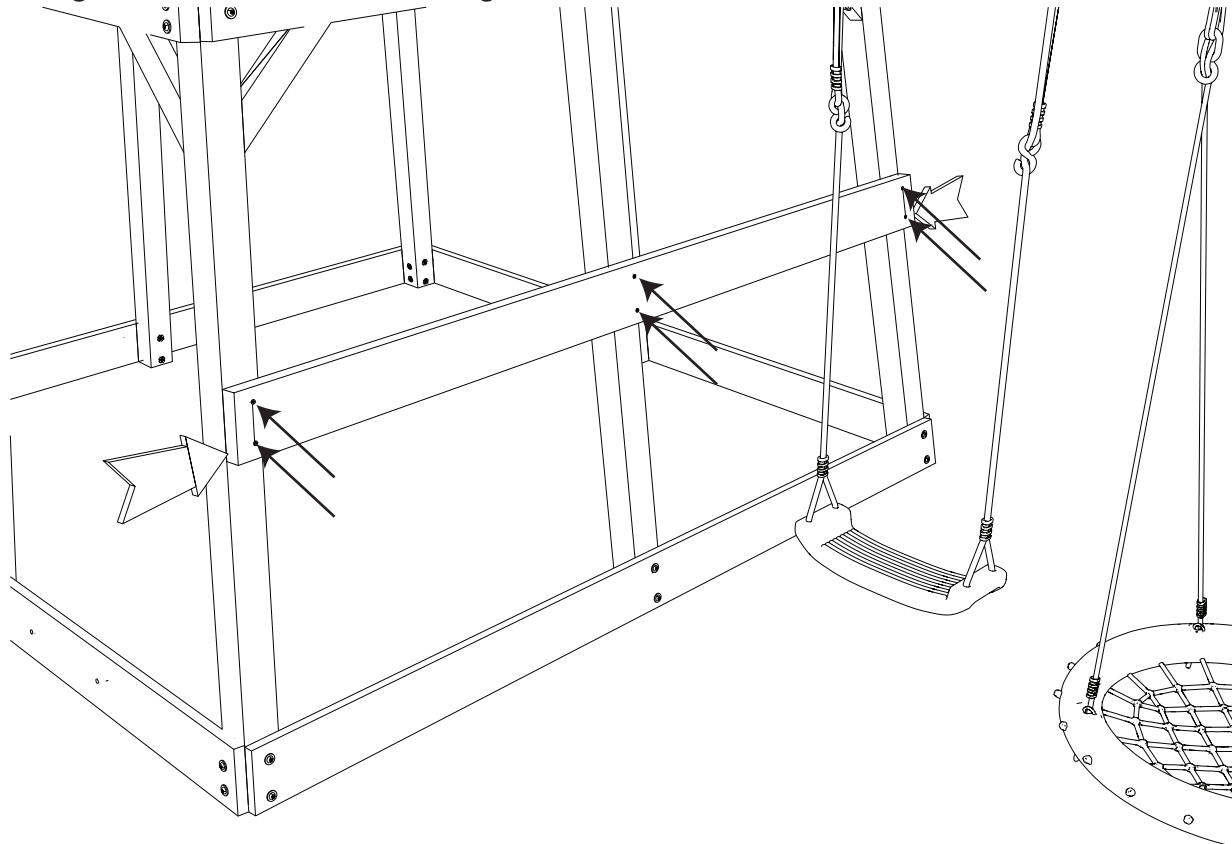
Attach (10) Wall Boards (W07) to Handrail (F09) and Wall Rail (FA15) using (40) Screws (SW35).

▲ **WARNING:** To avoid head or torso entrapment the Wall Boards should never be placed between 3.5in to 9in apart. To avoid finger entrapment the Wall Boards should never be positioned 0.5in or closer. Even spacing of the Wall Boards will minimize these concerns.



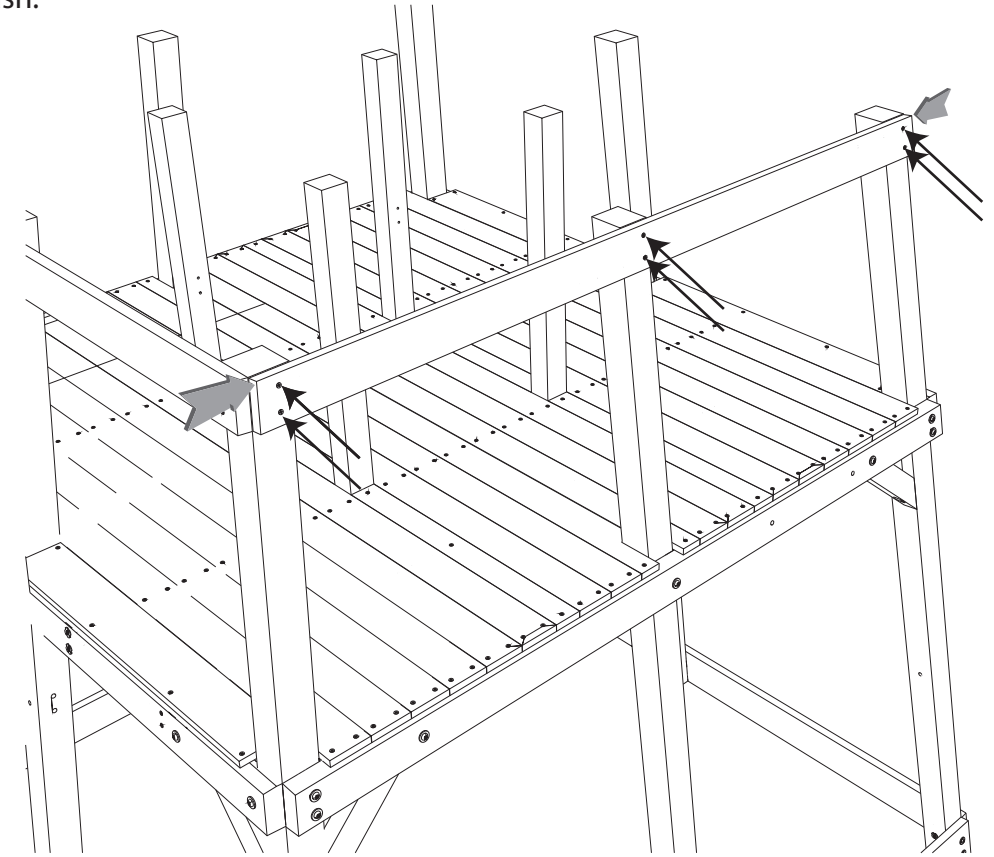
### Step 140:

Attach (1) Opening Block (S05) to Tower Legs (C02A), (C05), and (C01A) using (6) Screws (SW60). Make sure the edges are flush with the Tower Legs.



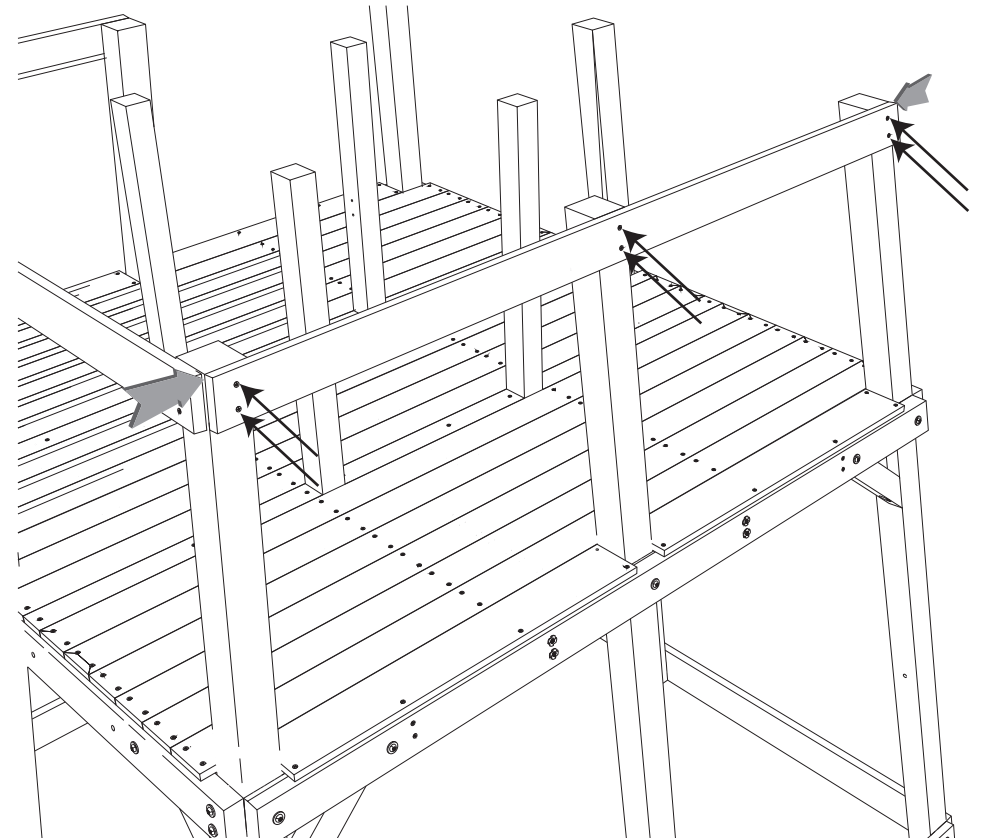
### Step 69:

Attach (1) Handrail (F09) to Tower Legs (C01A), (C04A), and (C02A) using (6) Screws (SW60). Ensure the outside edges are flush.



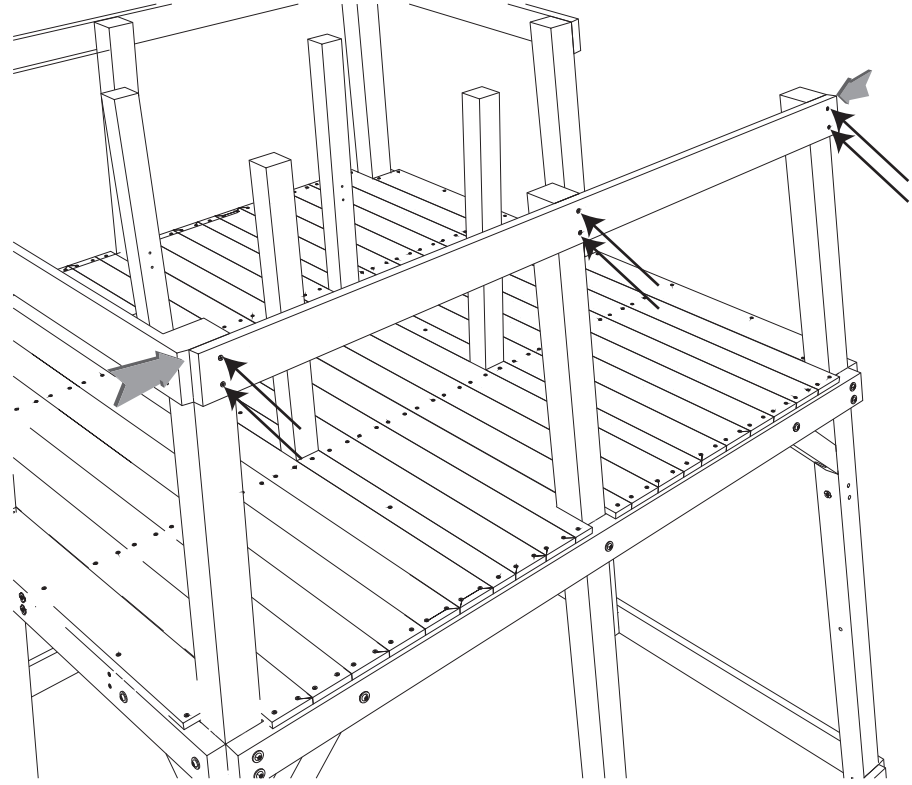
### Step 70:

Attach (1) Handrail (F09) to Tower Legs (C02A), (C05), and (C01A) using (6) Screws (SW60). Ensure the outside edges are flush.



### Step 71:

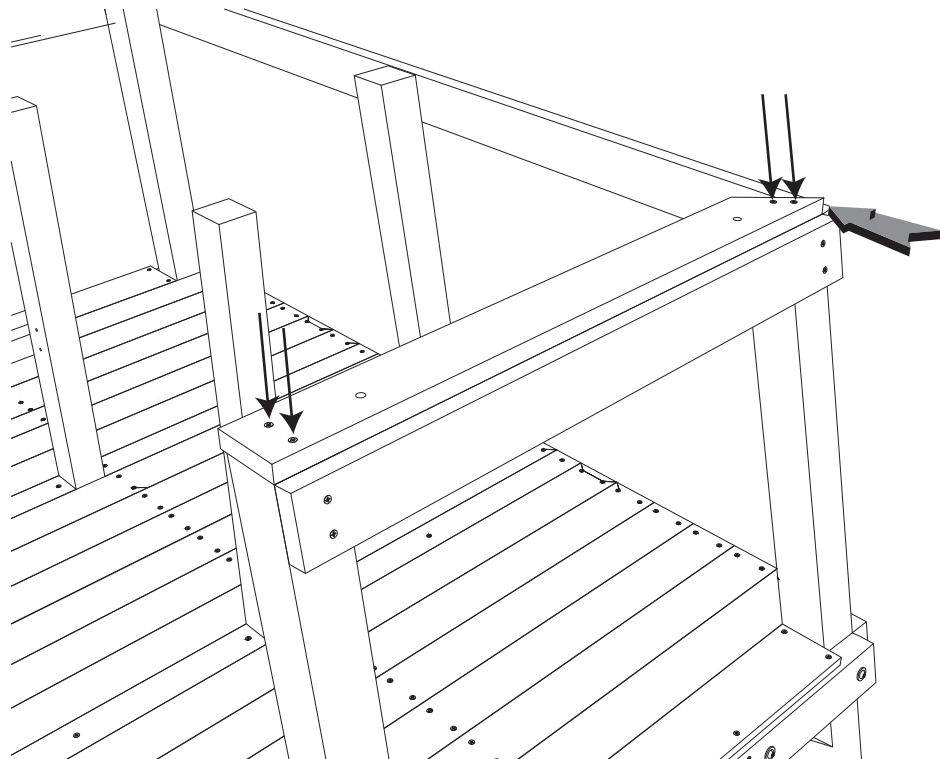
Attach (1) Handrail (F09) to Tower Legs (C01A), (C04A), and (C03A) using (6) Screws (SW60). Ensure the outside edges are flush.



### Step 72:

Attach (1) Connect Board (F13) to Tower Legs (C06B) and (C01A) using (4) Screws (SW60). The Connect Board must be flush with the edges of Tower Leg (C06B) and Handrail (F04).

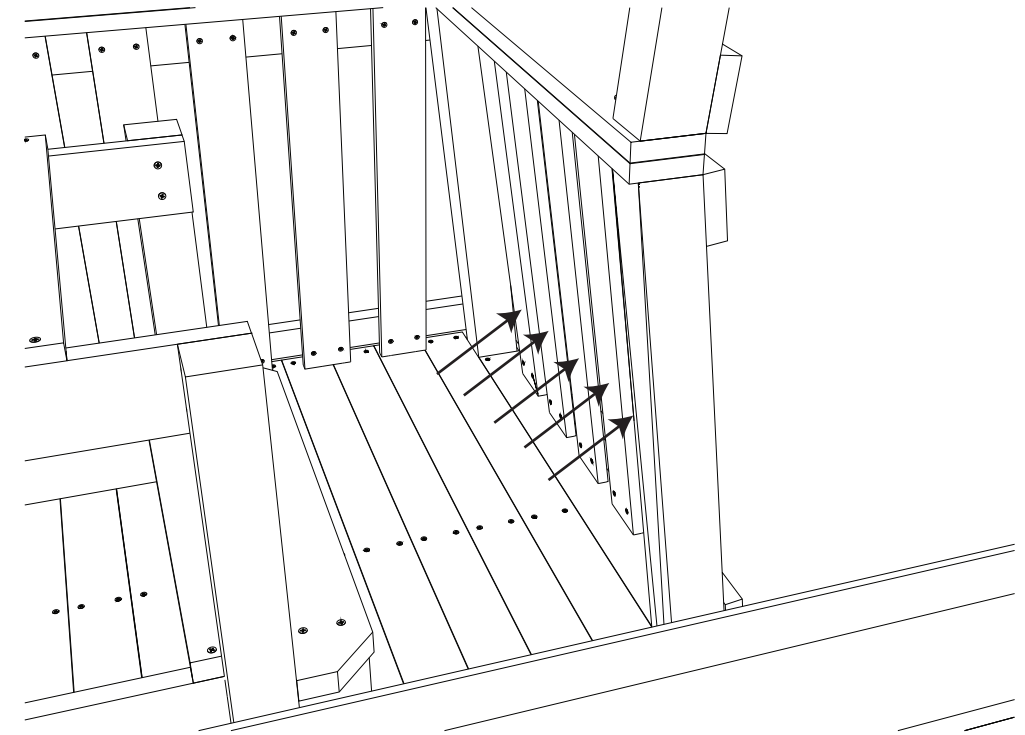
Note: The next Boards will not align correctly if this Connect Board is not flush.



### Step 137:

Attach (5) Wall Boards (W07) to Handrail (F04) and Wall Rail (FA13) using (20) Screws (SW35).

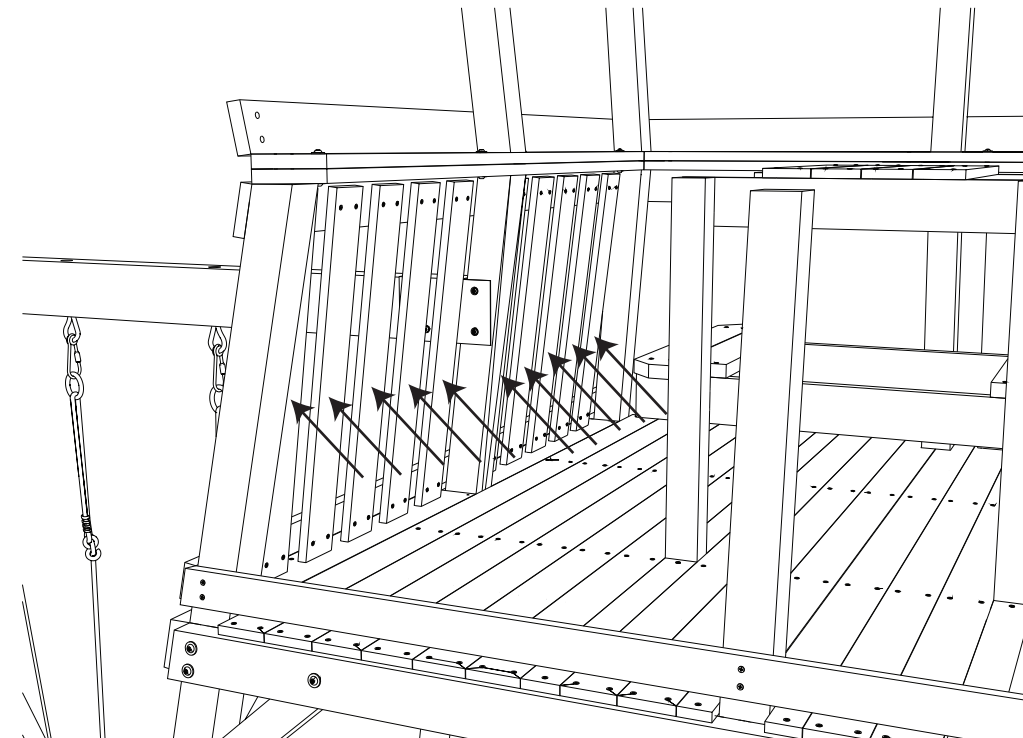
▲ WARNING: To avoid head or torso entrapment the Wall Boards should never be placed between 3.5in to 9in apart. To avoid finger entrapment the Wall Boards should never be positioned 0.5in or closer. Even spacing of the Wall Boards will minimize these concerns.



### Step 138:

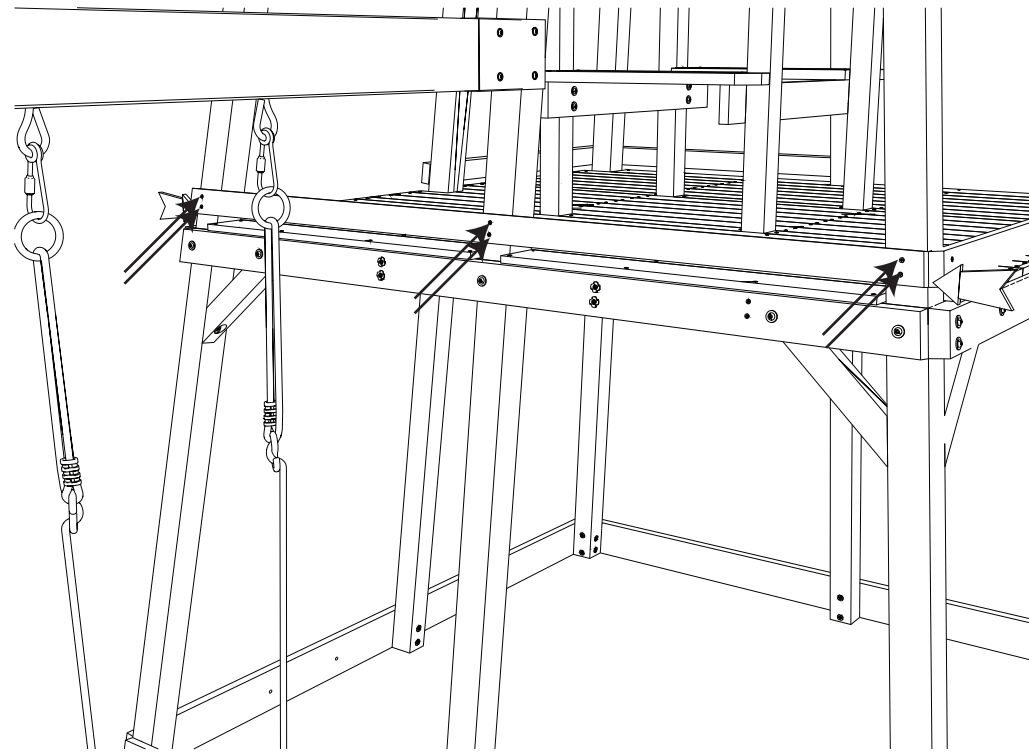
Attach (10) Wall Boards (W07) to Handrail (F09) and Wall Rail (FA15) using (40) Screws (SW35).

▲ WARNING: To avoid head or torso entrapment the Wall Boards should never be placed between 3.5in to 9in apart. To avoid finger entrapment the Wall Boards should never be positioned 0.5in or closer. Even spacing of the Wall Boards will minimize these concerns.



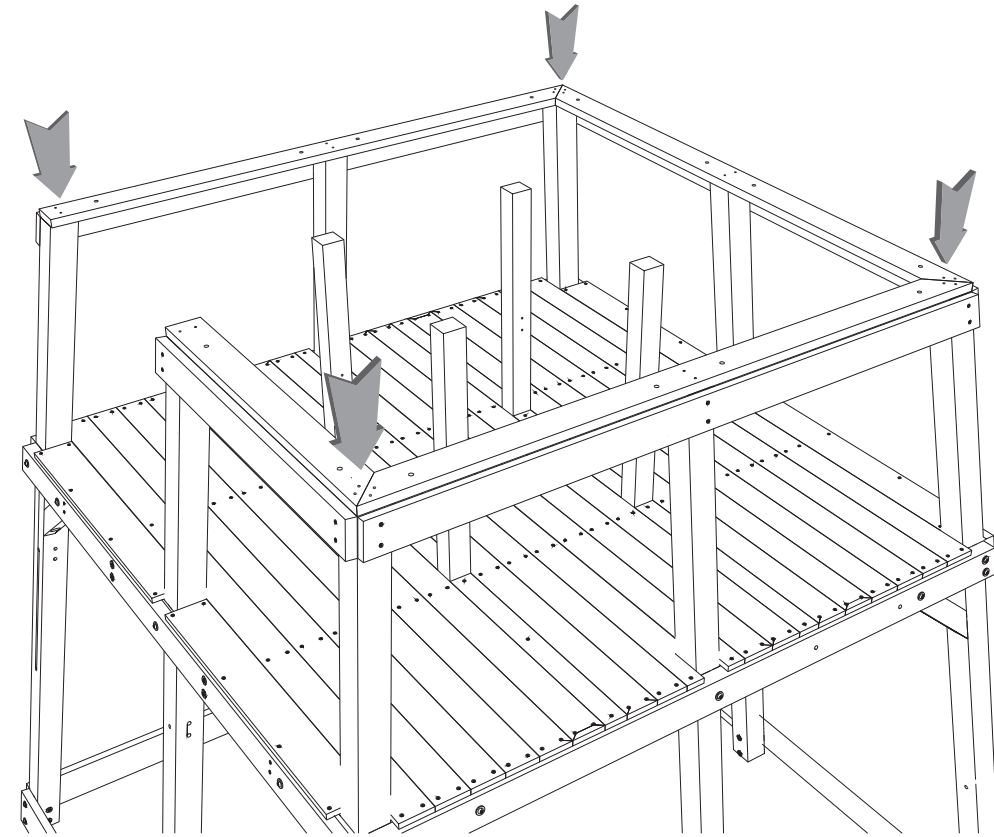
### Step 135:

Attach (1) Wall Rail (FA15) to Tower Legs (C02A), (C05), and (C01A) using (6) Screws (SW60). Ensure the edges are flush.



### Step 73:

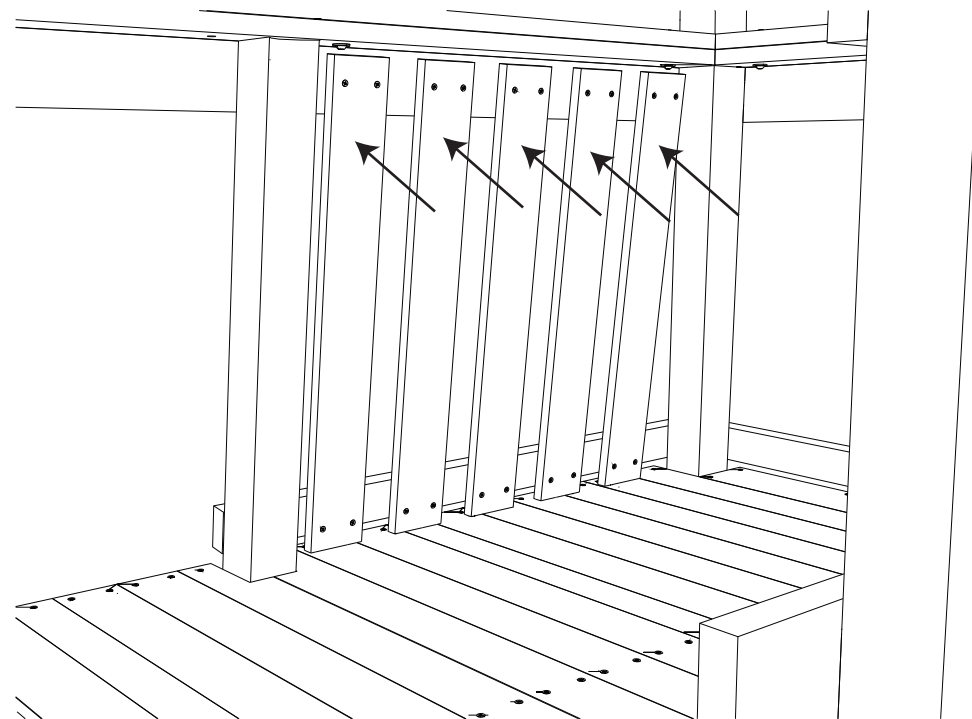
Align (2) Connect Boards (F11) and (1) Connect Board (F12) before attaching. The angled edges and corners must be flush.



### Step 136:

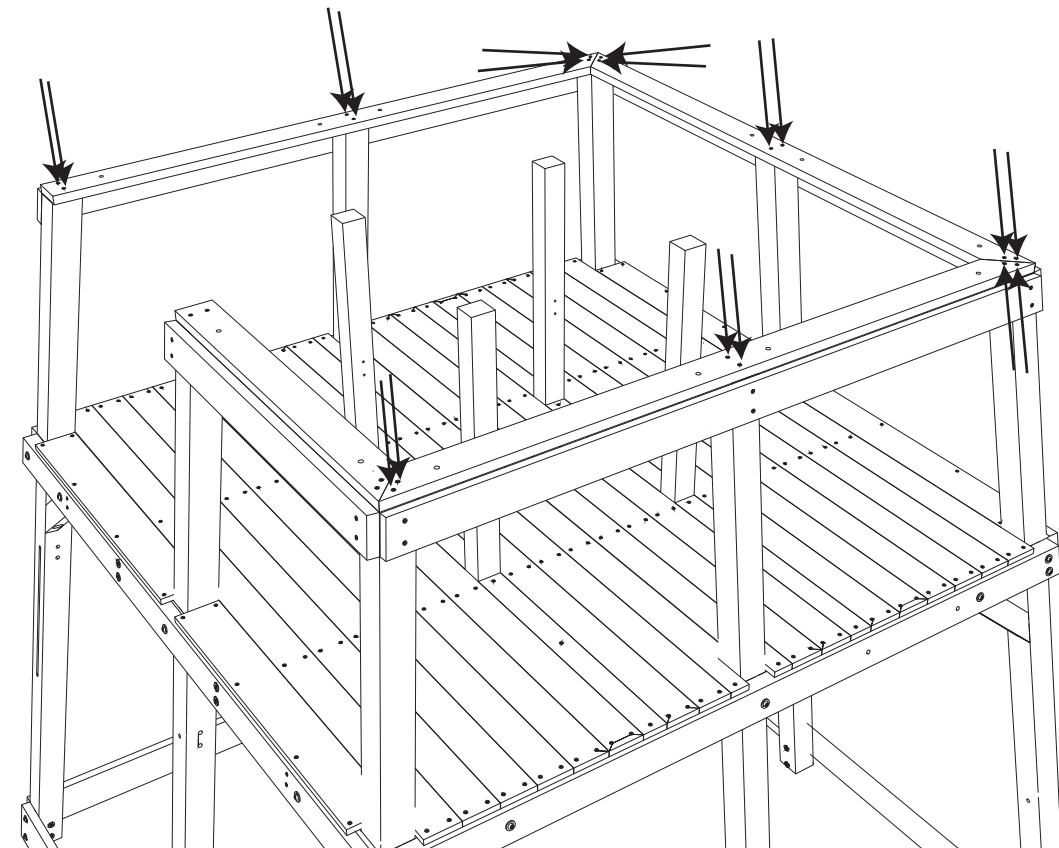
Attach (5) Wall Boards (W07) to Handrail (F09) and Wall Rail (FA13) using (20) Screws (SW35). The approximate spacing between each Wall Board will be 2in.

⚠️ **WARNING:** To avoid head or torso entrapment the Wall Boards should never be placed between 3.5in to 9in apart. To avoid finger entrapment the Wall Boards should never be positioned 0.5in or closer. Even spacing of the Wall Boards will minimize these concerns.



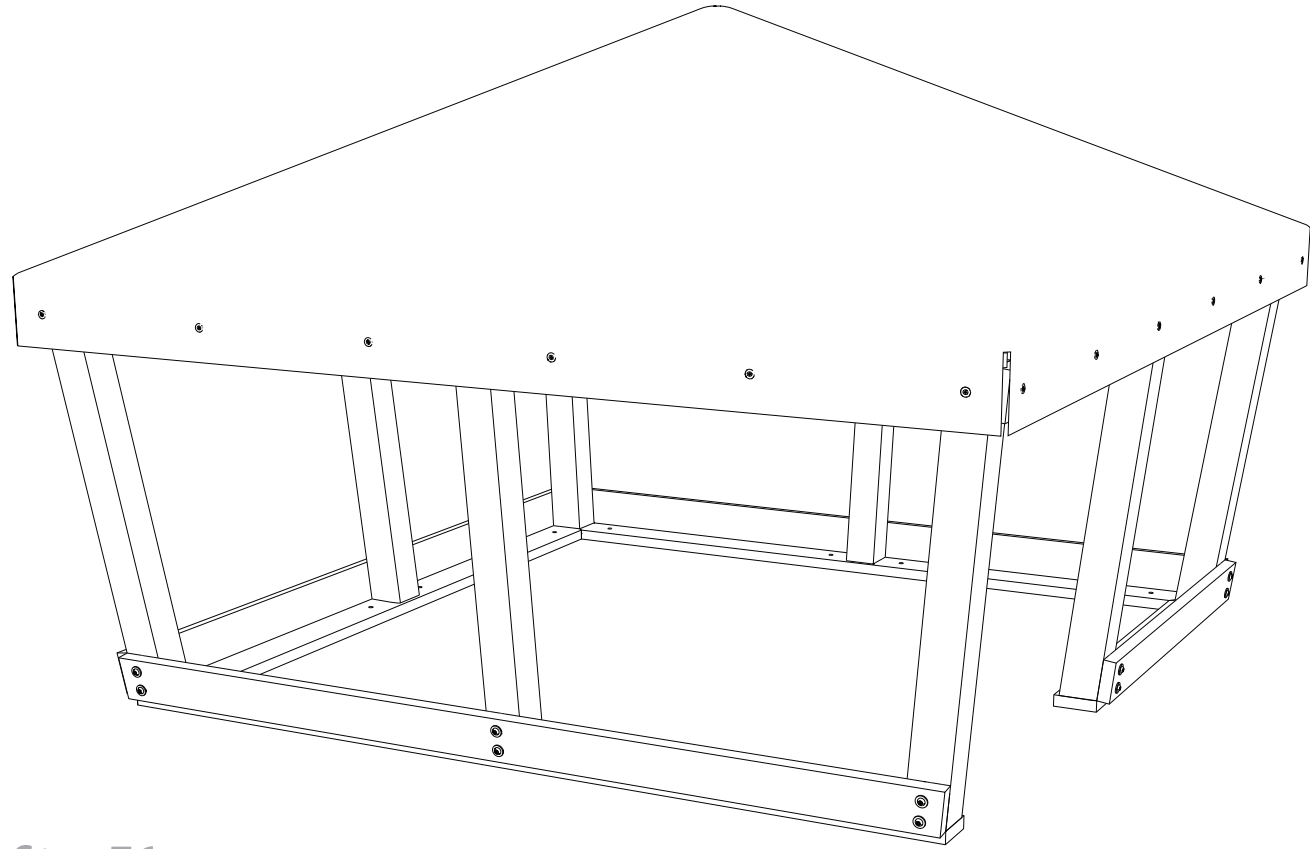
### Step 74:

Attach (2) Connect Boards (F11) and (1) Connect Board (F12) to the Tower Legs using (18) Screws (SW60).



### Step 75:

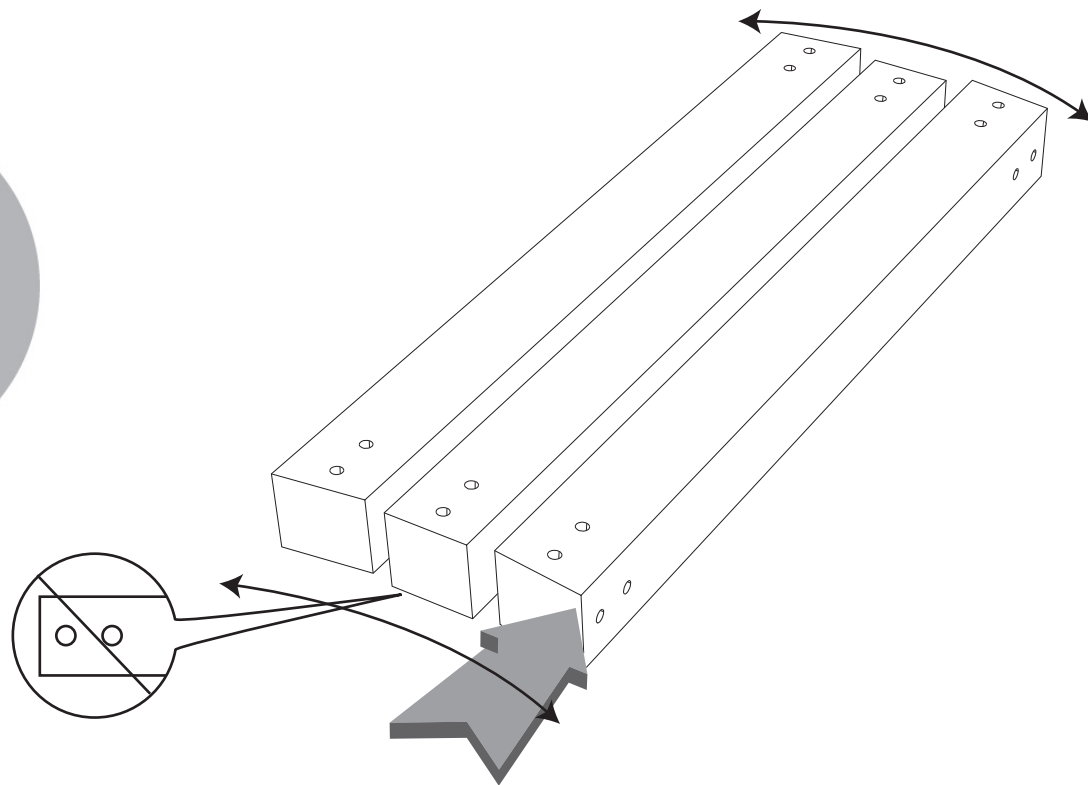
The following steps will guide you through the Roof Assembly.



### Step 76:

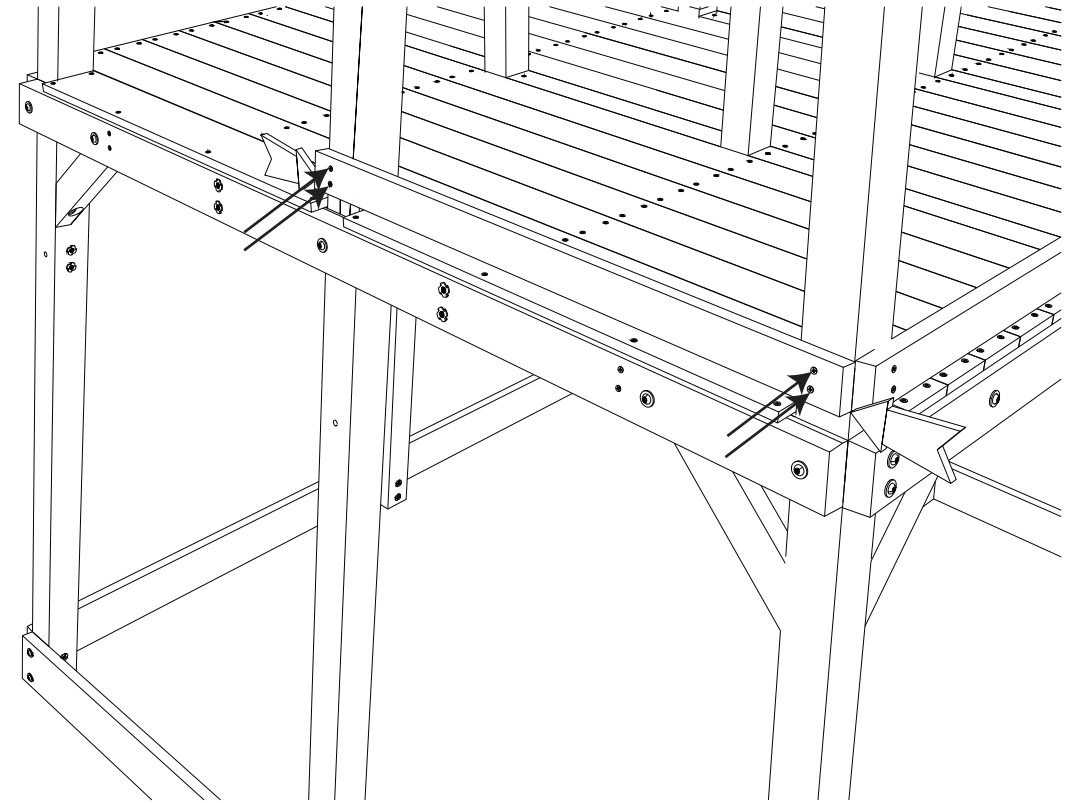
Place (2) Tower Legs (C09) on each side of (1) Tower Leg (C10). The pilot holes on Tower Leg (C10) should face up and there should be pilot holes on the top and outer sides of both Tower Legs (C09). When aligned, the Tower Legs should form a curve. Complete this step 2 times.

2X



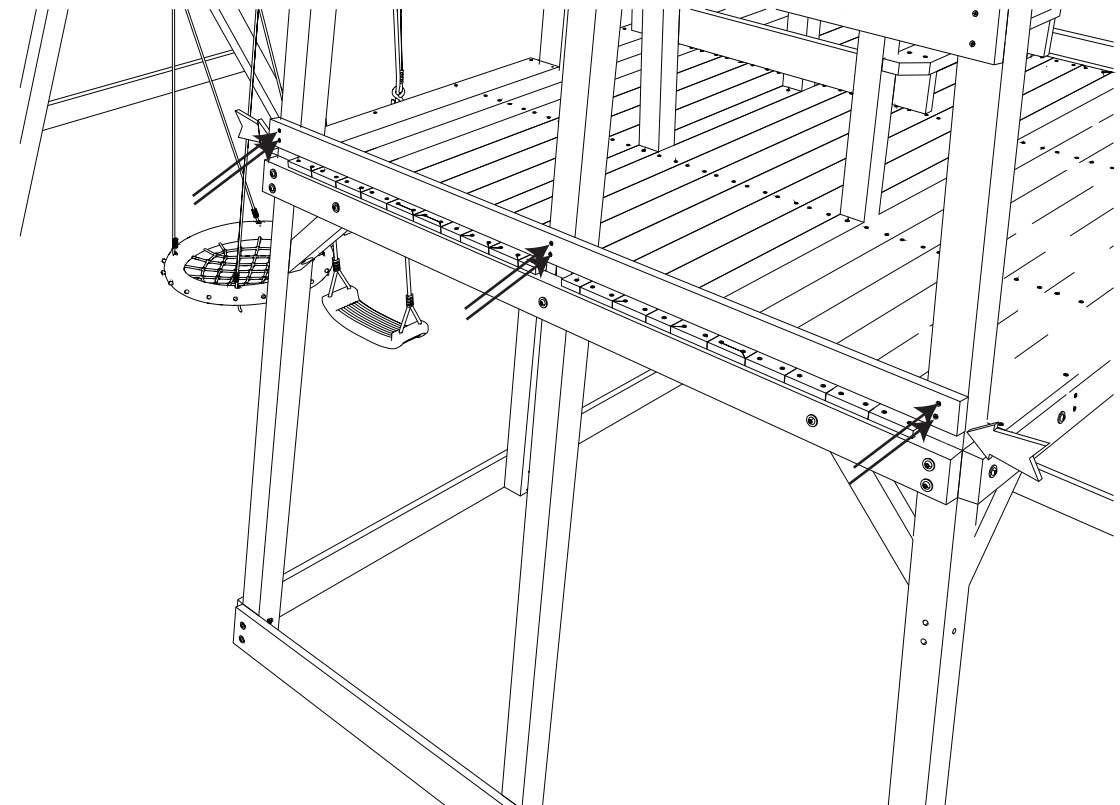
### Step 133:

Align (1) Wall Rail (FA13) with the previously installed Wall Rail and attach to Tower Legs (C01A) and (C06B) using (4) Screws (SW60). Ensure the edges are flush.



### Step 134:

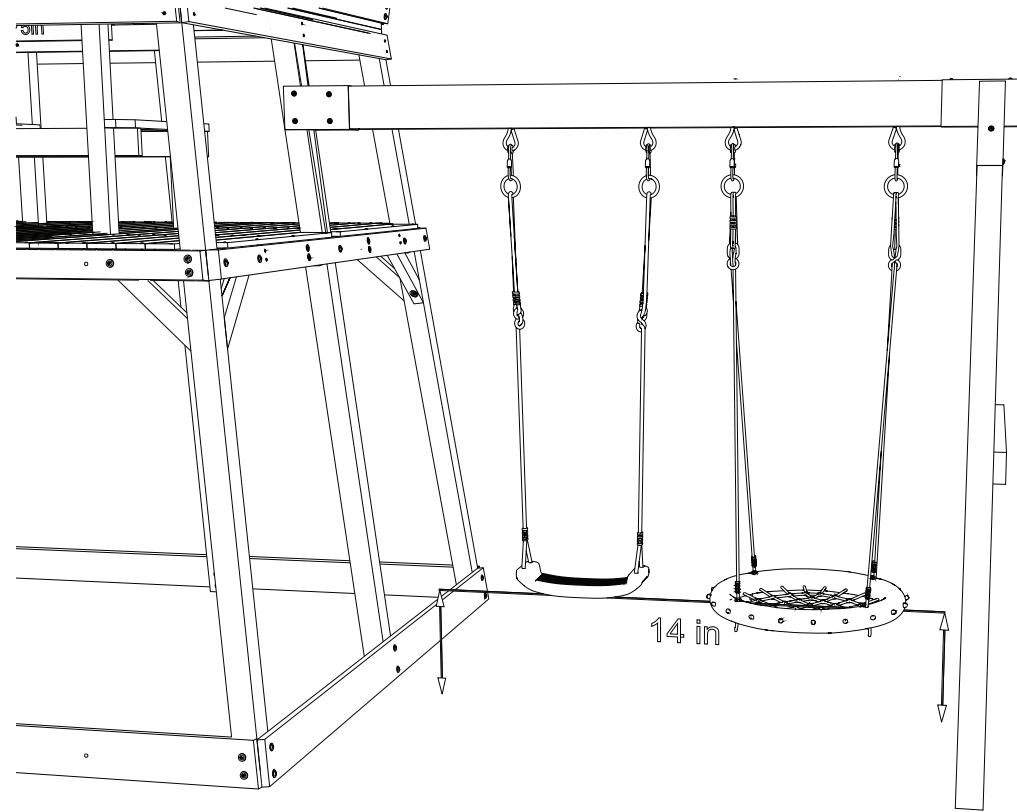
Attach (1) Wall Rail (FA15) to Tower Legs (C01A), (C04A), and (C03A) using (6) Screws (SW60). Note: Leave about 1 in of space to attach the Sun Shade in later steps.





### Step 131:

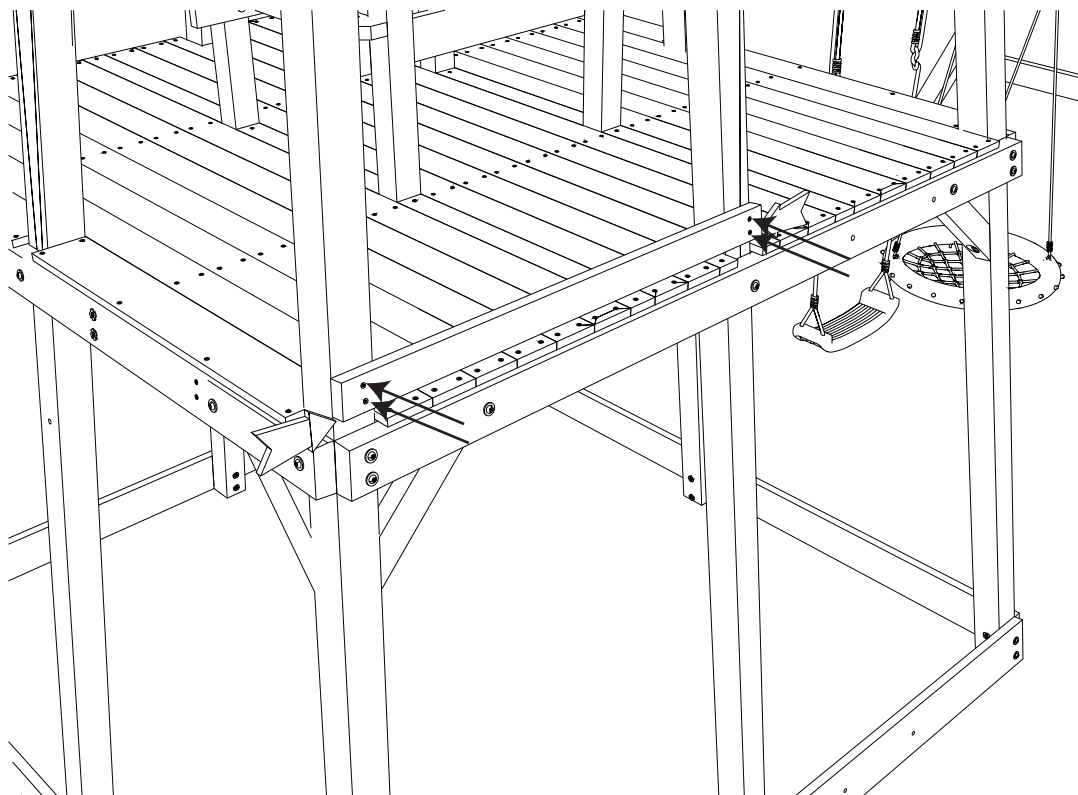
Minimum clearance between the Swing and the ground is 14in (350mm).



### Step 132:

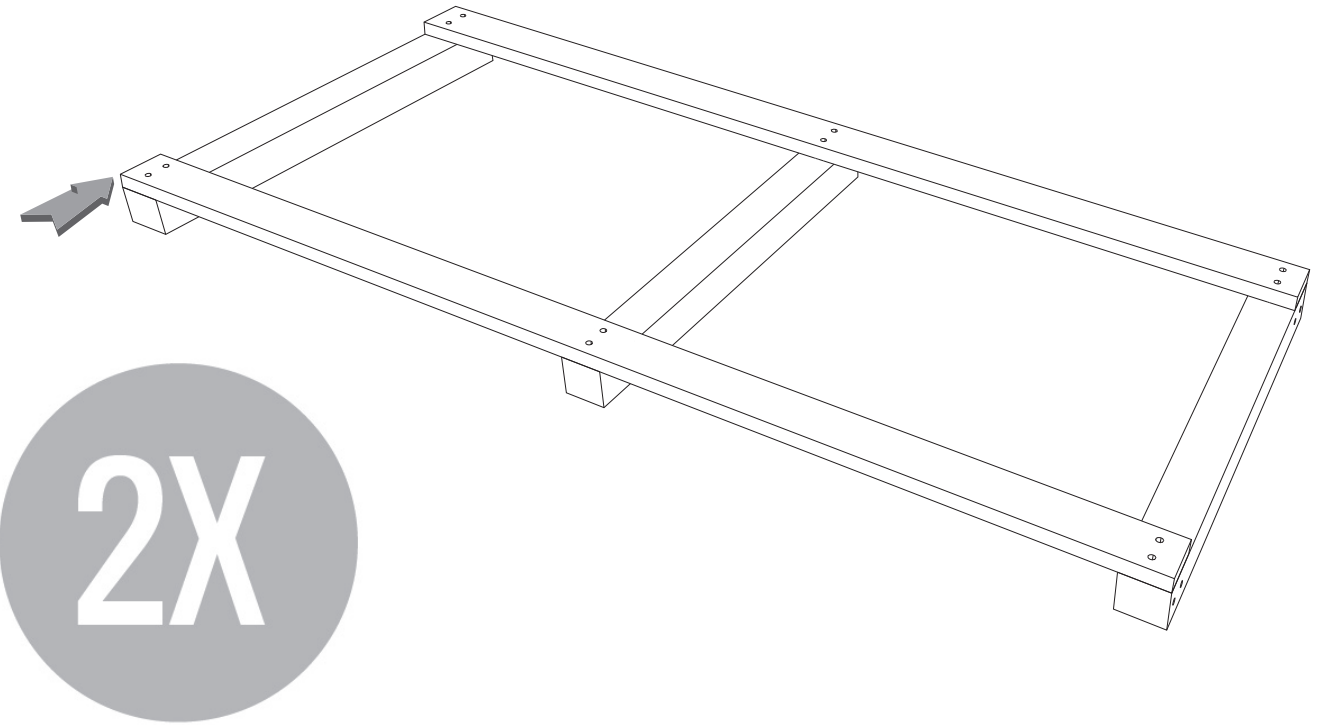
Attach (1) Wall Rail (FA13) to Tower Legs (C01A) and (C04A) using (4) Screws (SW60).

Note: Leave about 1in of space to attach the Sun Shade in later steps. Ensure the edges are flush.



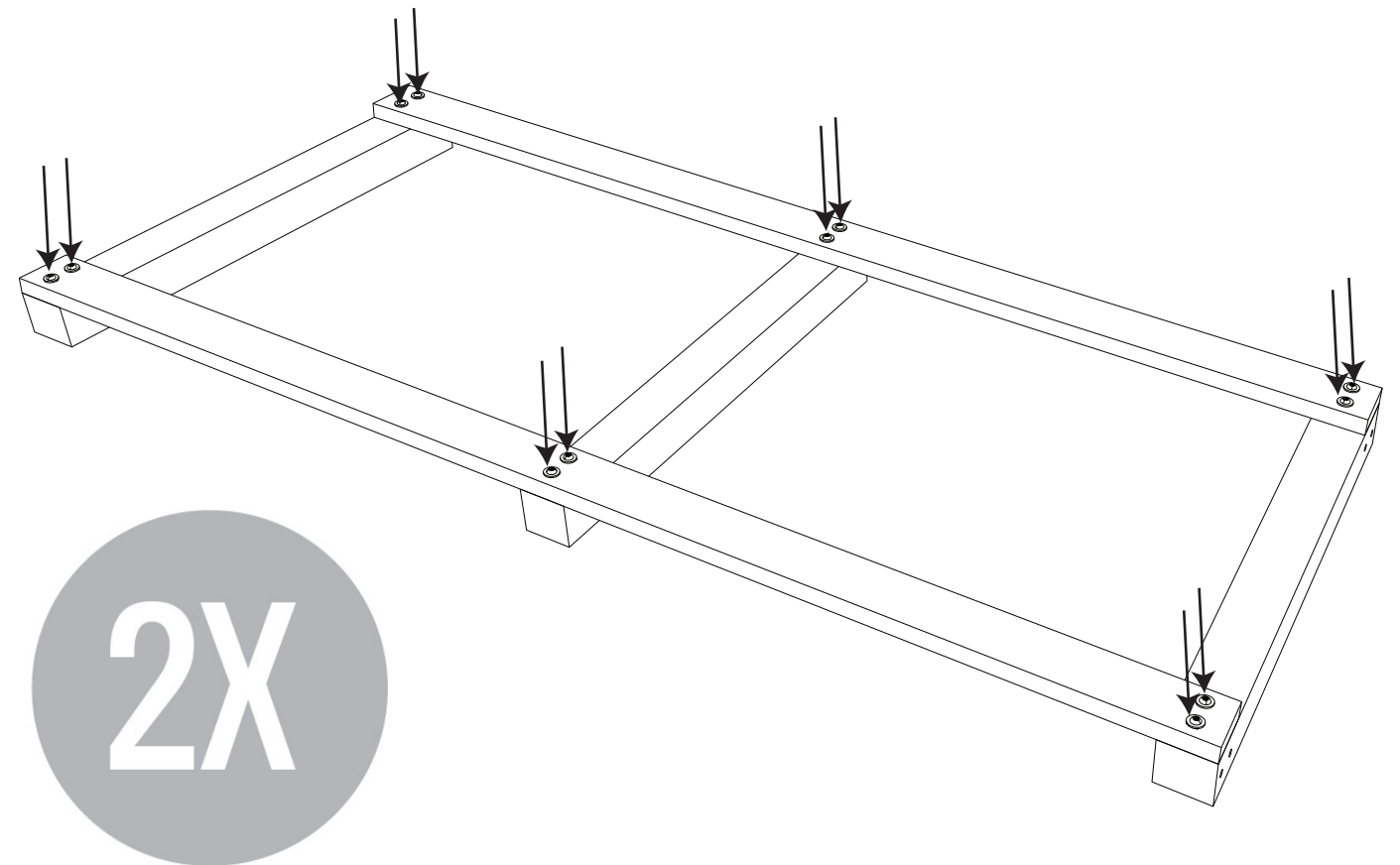
### Step 77:

Stretch out and align the Tower Legs underneath (1) Roof Rail (F16) and (1) Roof Rail (F14). Make sure edges of the Tower Legs are flush with the Roof Rails. Complete this step 2 times.



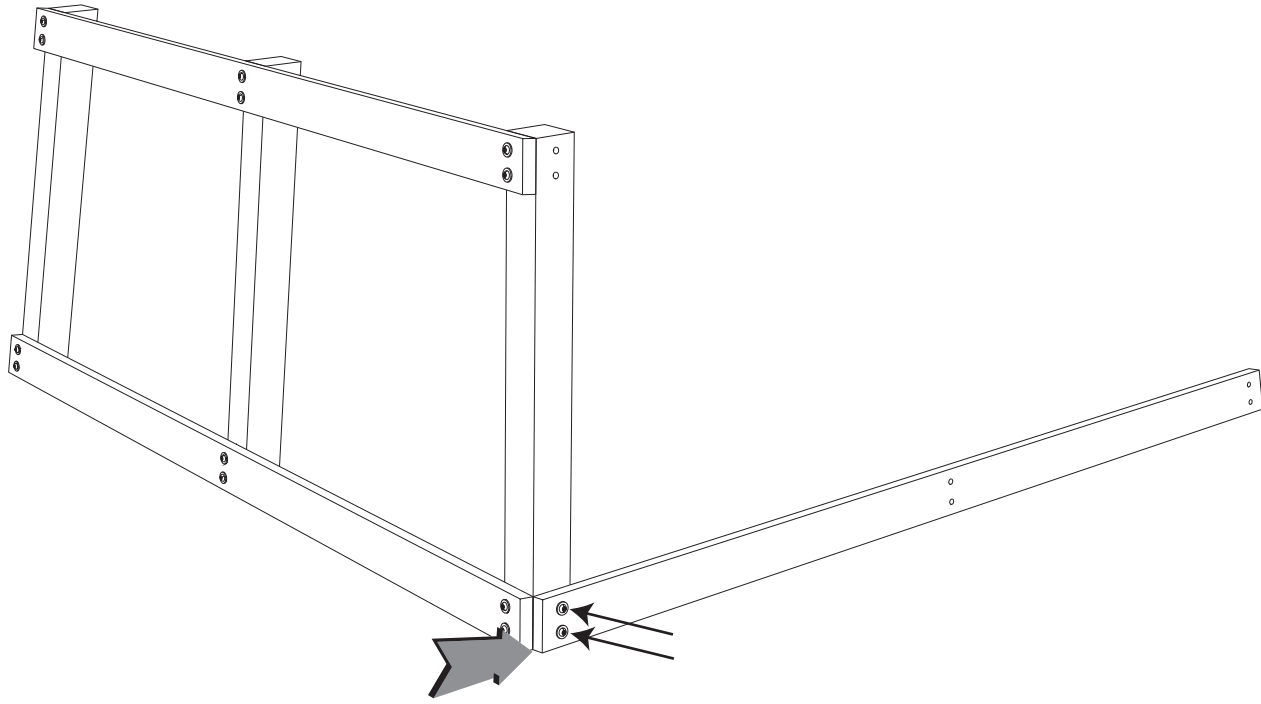
### Step 78:

Attach the Roof Rails to the Tower Legs using (12) Screws (M8SW50). Complete this step 2 times.



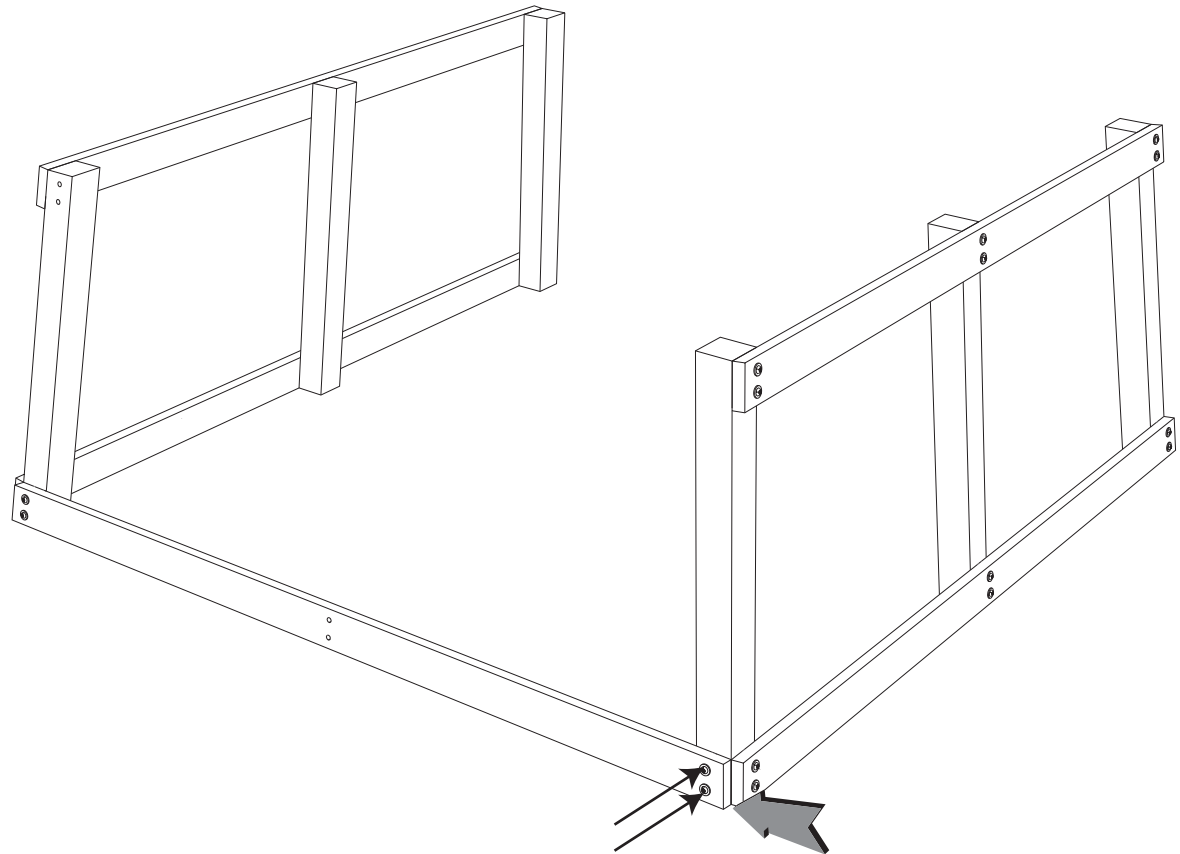
### Step 79:

Turn the Roof Assembly upright and attach (1) Roof Rail (F16) using (2) Screws (M8SW50). Ensure the edges are flush.



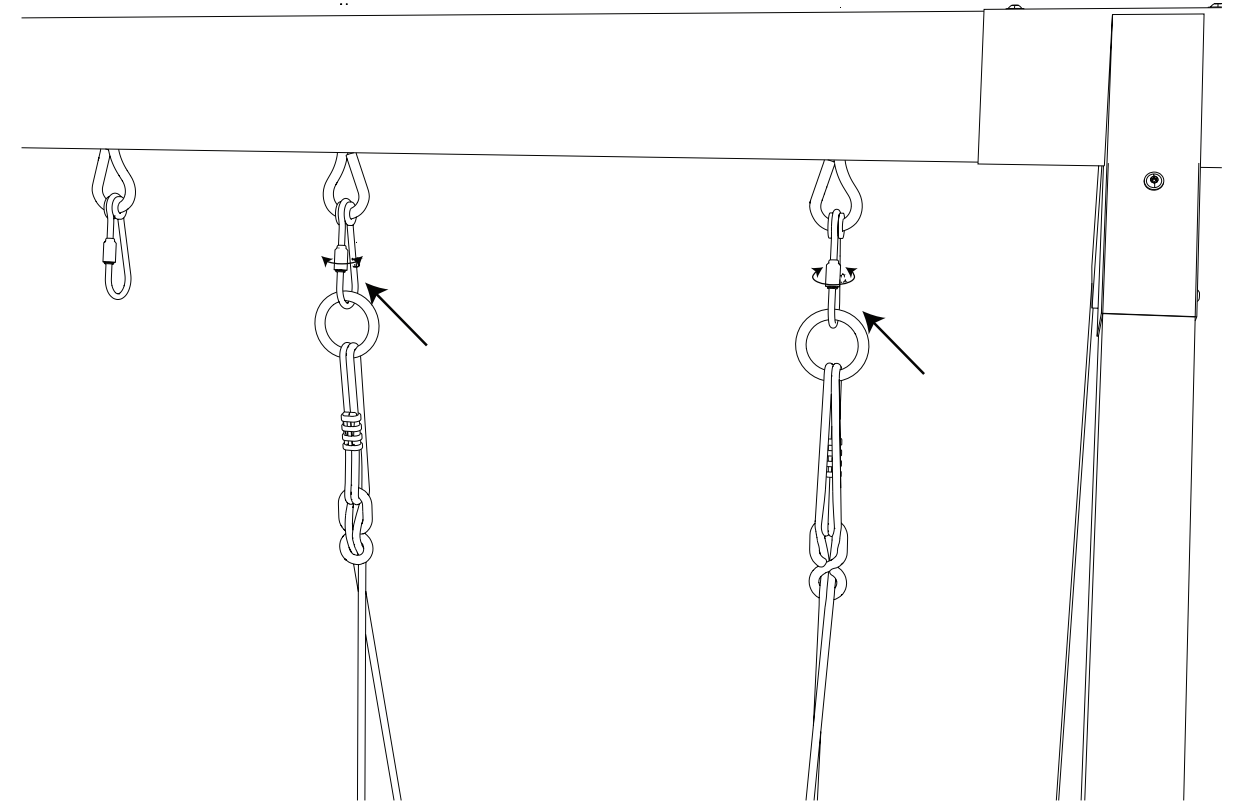
### Step 80:

Align and attach the other Roof Assembly to the Roof Rail using (2) Screws (M8SW50). Ensure the edges are flush.



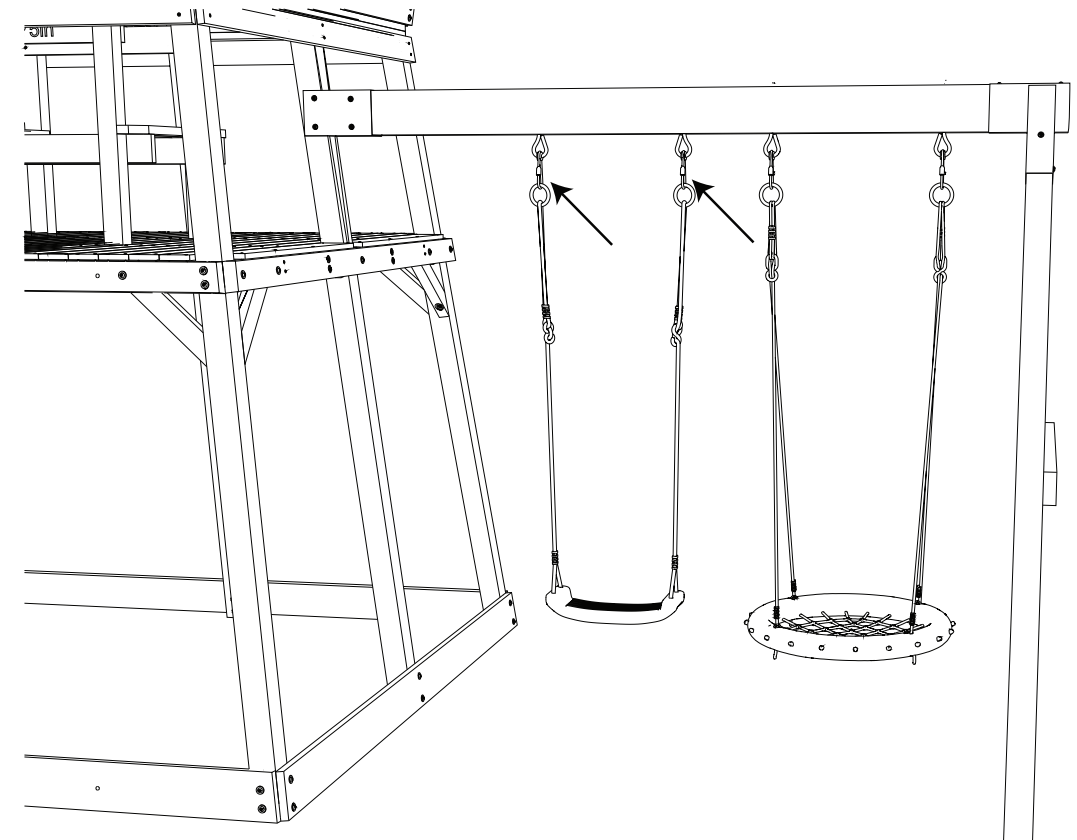
### Step 129:

Attach the Rings on (1) Nest Swing to the Swing Hangers and secure.  
Note: The Swing Hangers must be fully secured.



### Step 130:

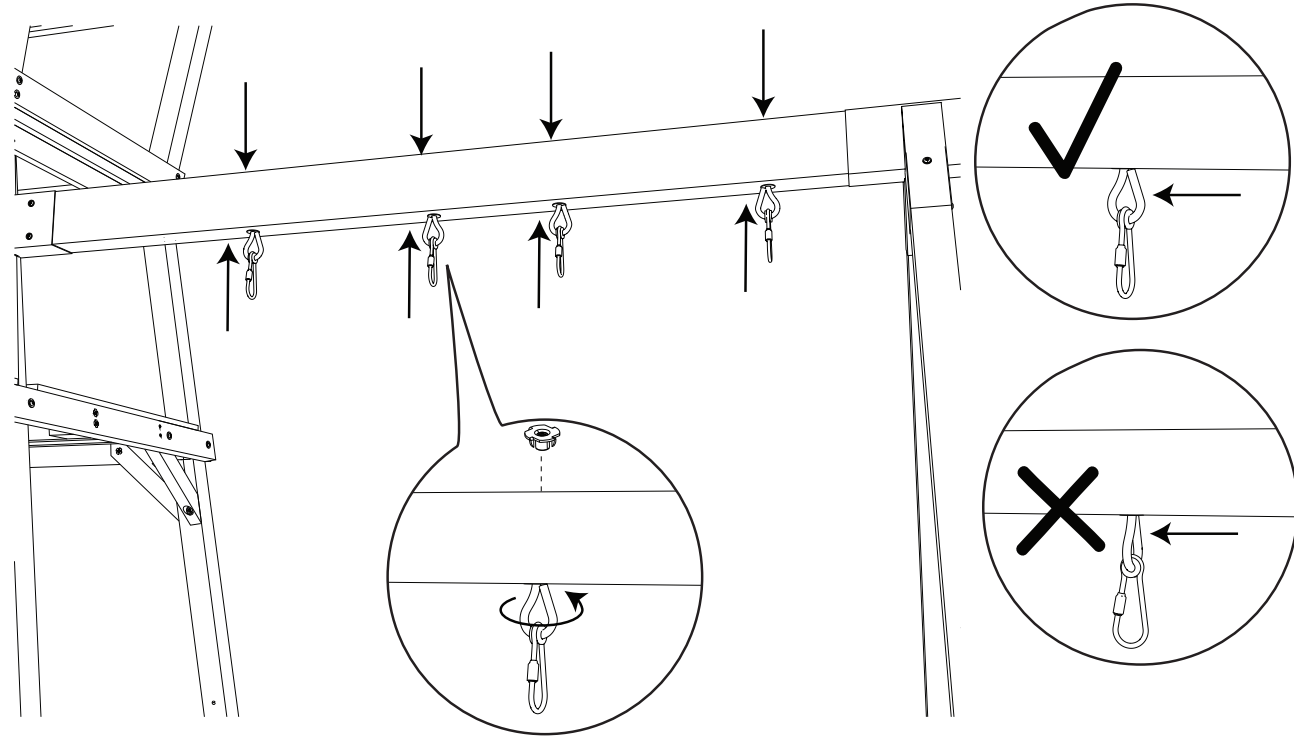
Carefully untangle the Ropes on (1) Swing. Attach the Rings on the Swing to the Swing Hangers and secure.  
Note: The Swing Hangers must be fully secured.



### Step 127:

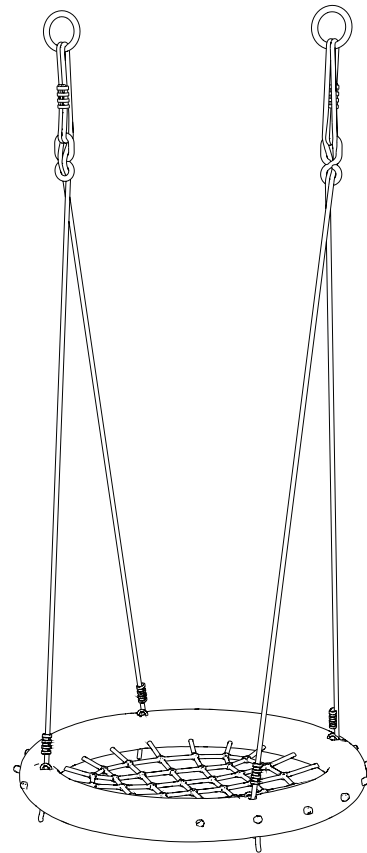
Insert (4) Nuts (NM815) into the Swing Beam. Place (1) Washer onto each of the (4) Swing Hangers, then insert the Swing Hangers into the Swing Beam.

Note: The Swing Hangers must be inserted as tightly as possible.



### Step 128:

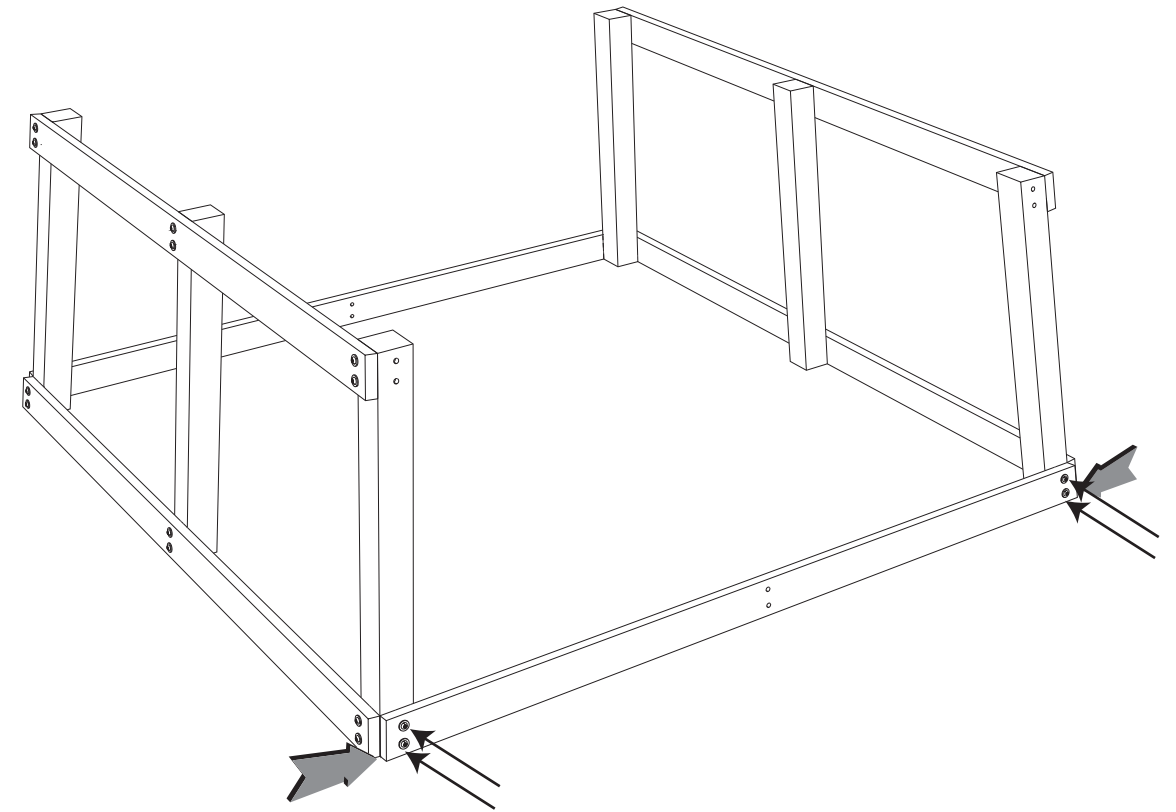
Carefully untangle the Ropes on the Nest Swing.



74

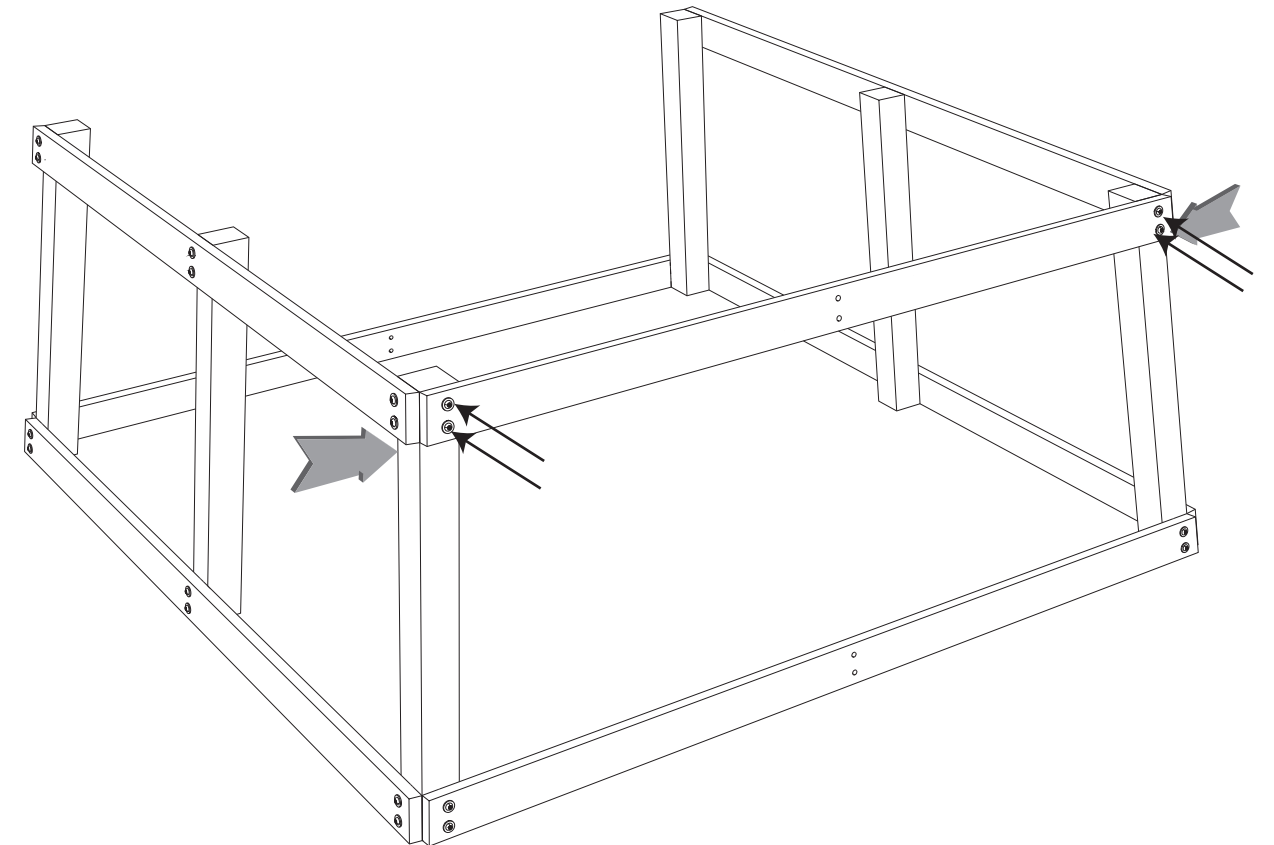
### Step 81:

Attach (1) Roof Rail (F16) to the Roof Assemblies using (4) Screws (M8SW50). Ensure the edges are flush.



### Step 82:

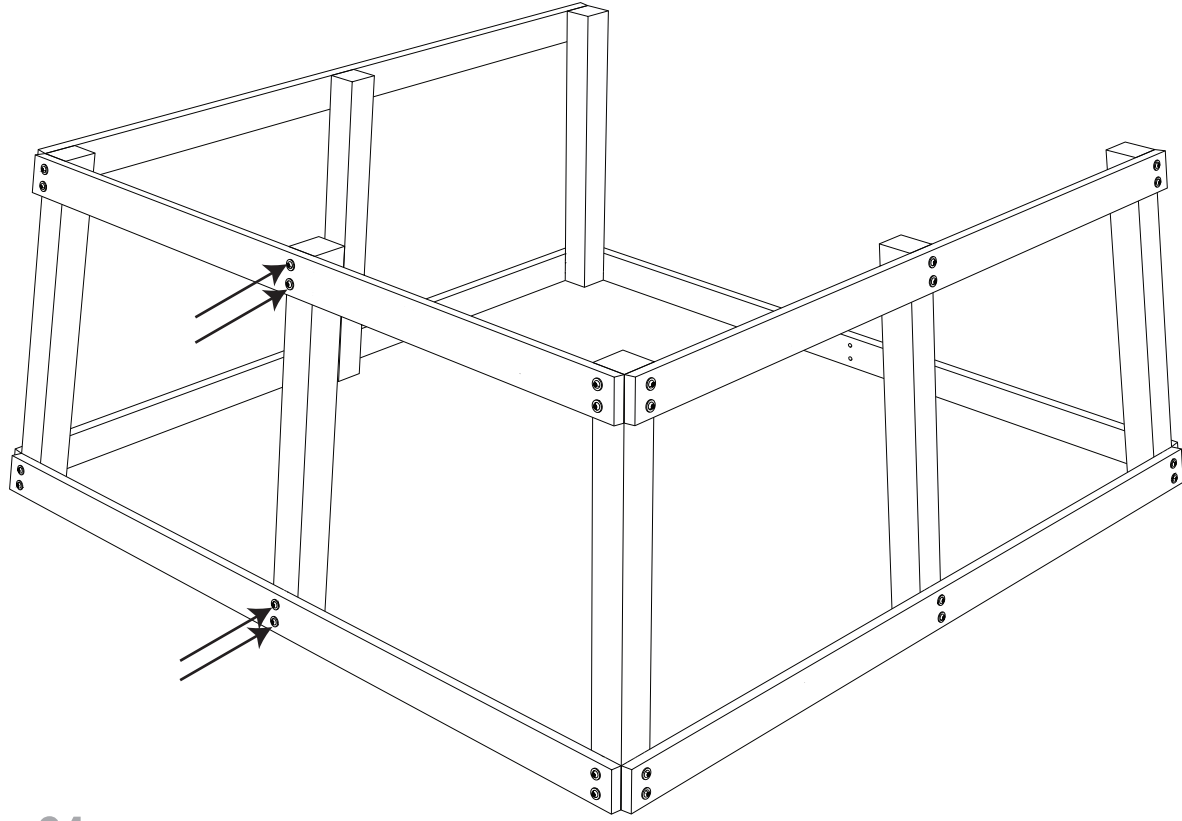
On one side of the Roof Assemblies, attach (1) Roof Rail (F14) to Tower Legs (C09) using (4) Screws (M8SW50). Ensure the edges are flush.



51

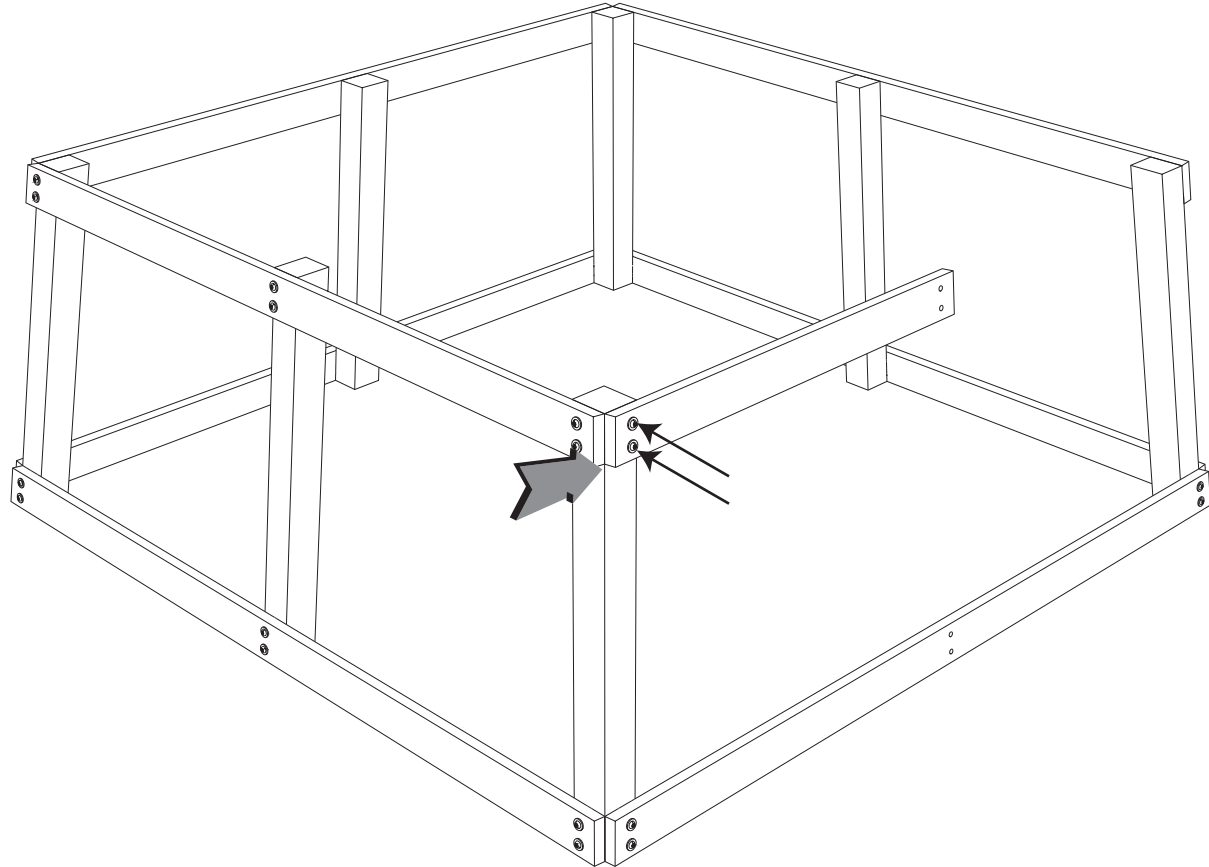
### Step 83:

Align the top of (1) Tower Leg (C10) with the top edge of Roof Rail (F14) and the bottom of the Tower Leg with the lower edge of Roof Rail (F16). Attach using (4) Screws (M8SW50).



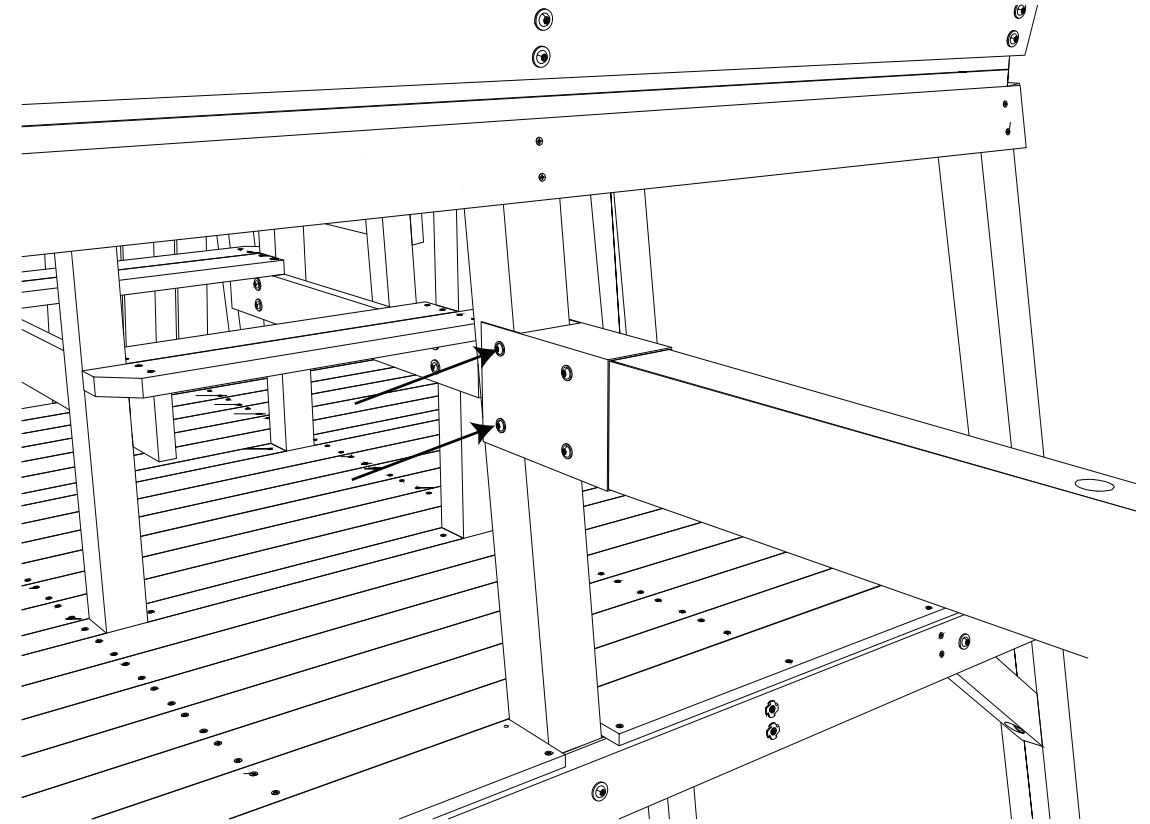
### Step 84:

Attach (1) Roof Rail (F15) to (1) Tower Leg (C09) using (2) Screws (M8SW50). Ensure the edges are flush.



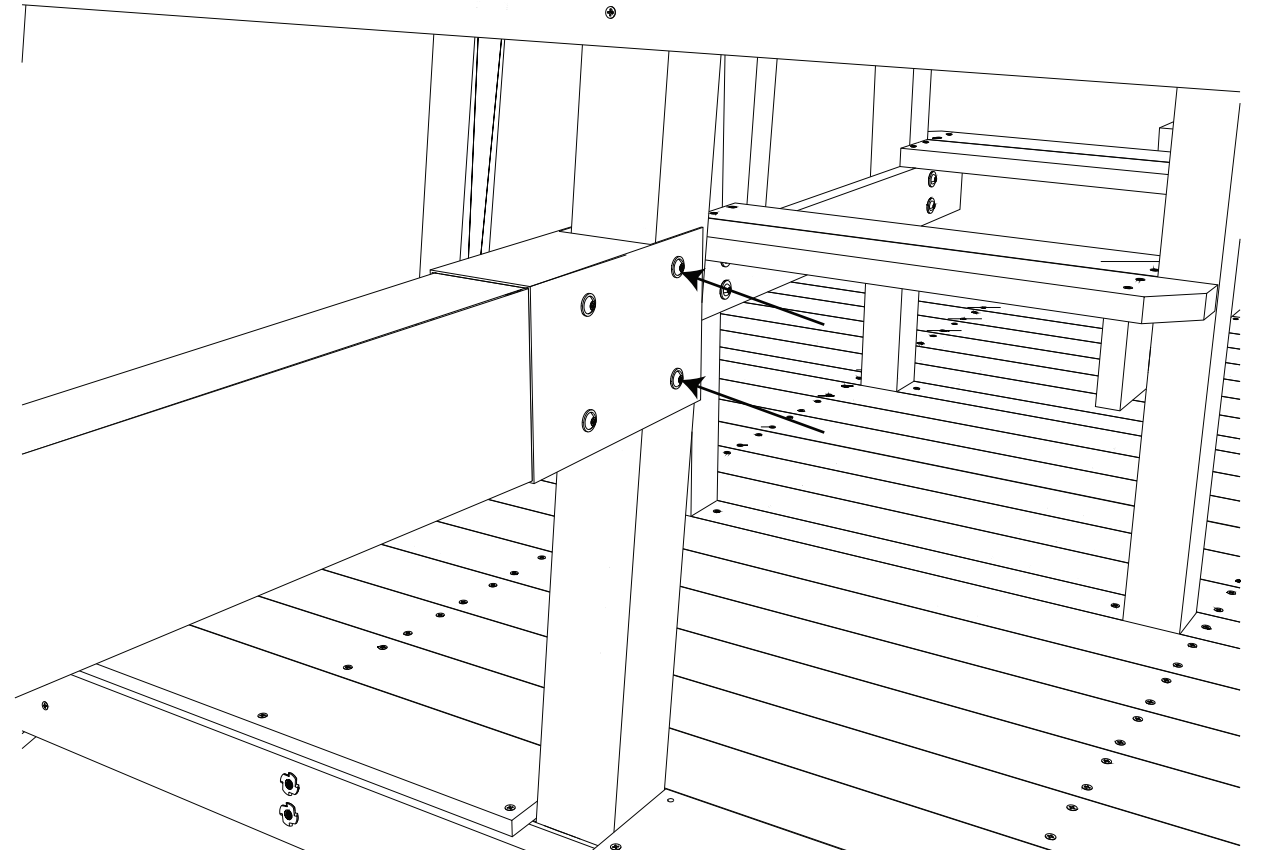
### Step 125:

Attach the Swing Beam to Tower Leg (C05) using (2) Screws (M6SW35).



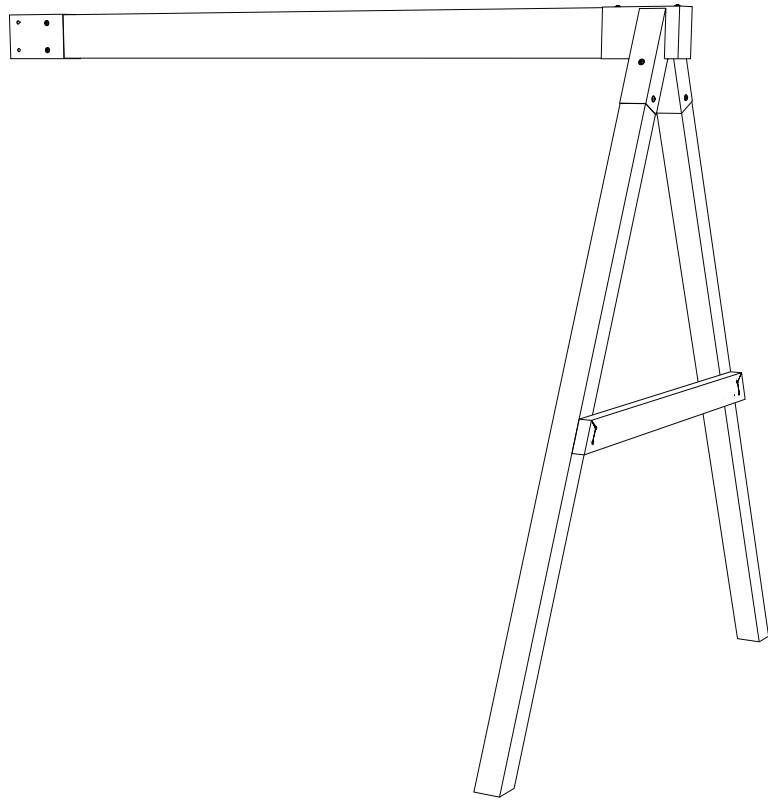
### Step 126:

Attach the Swing Beam to Tower Leg (C05) using (2) Screws (M6SW35).



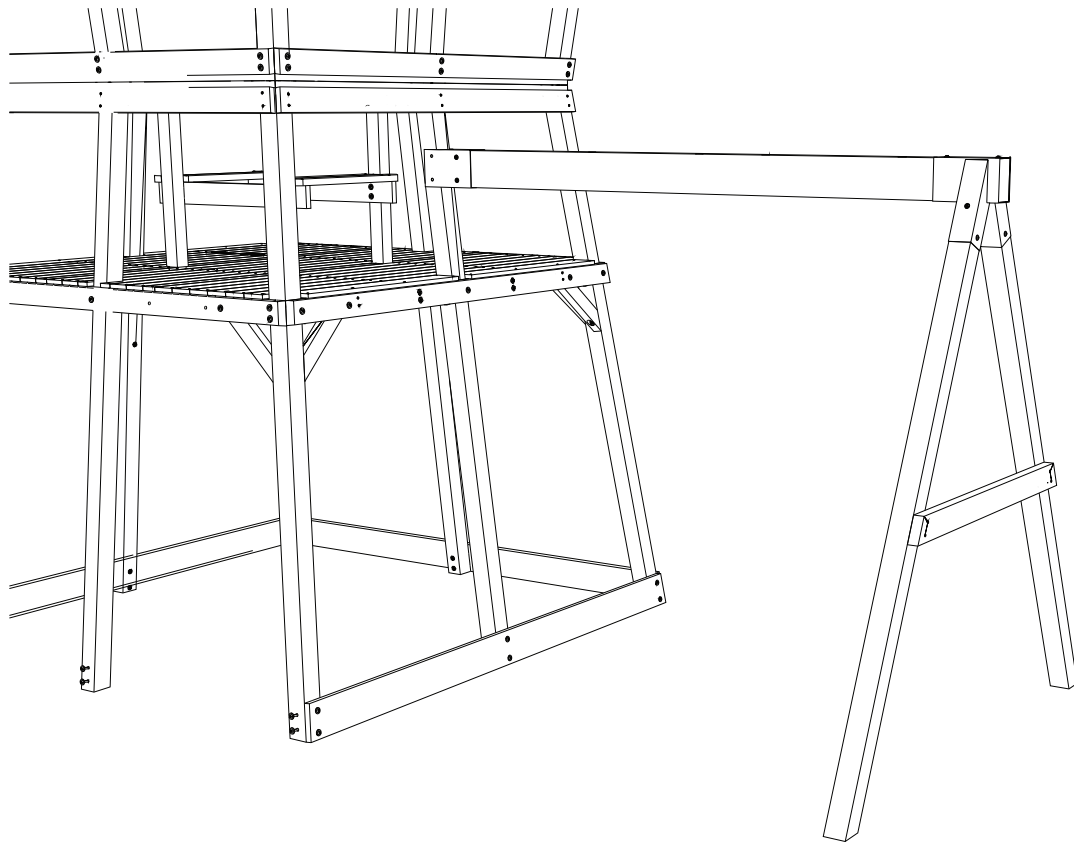
### Step 123:

Stand the Swing Beam Assembly upright.



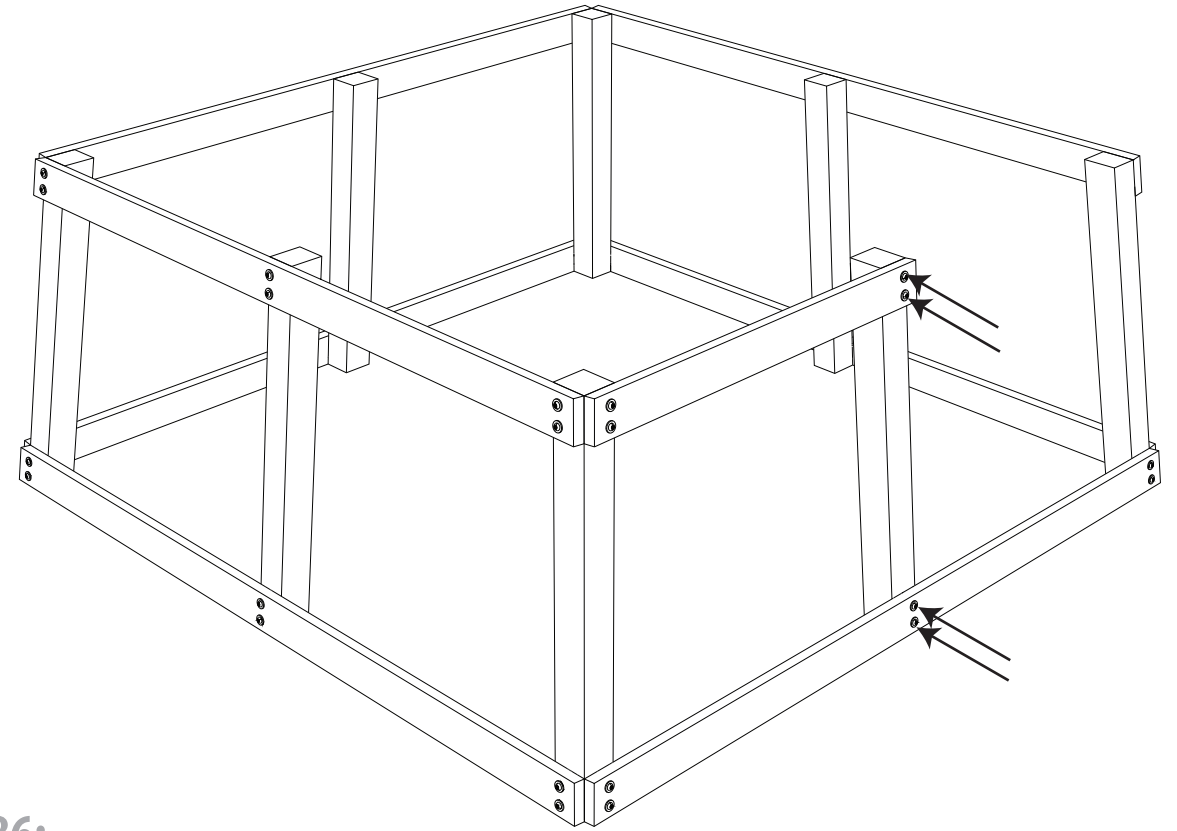
### Step 124:

Use a Level to align the Swing Beam with Tower Leg (C05).



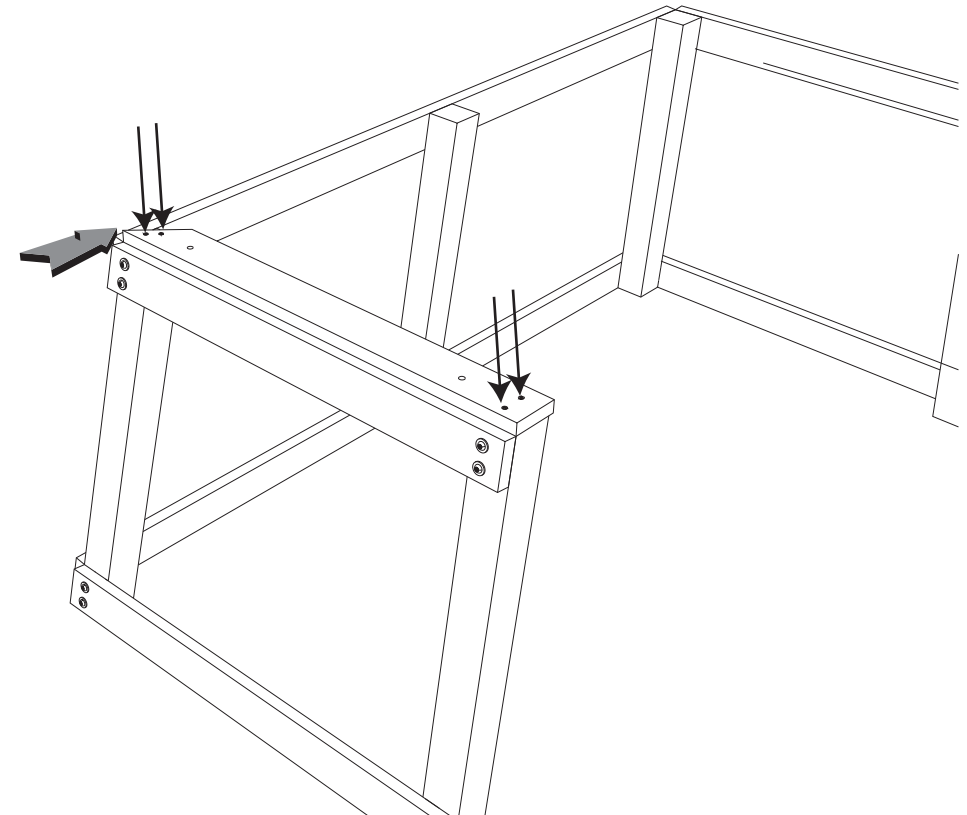
### Step 85:

Align the top of (1) Tower Leg (C10) with the top edge of Roof Rail (F15) and bottom with the lower edge of Roof Rail (F16). Attach using (4) Screws (M8SW50).



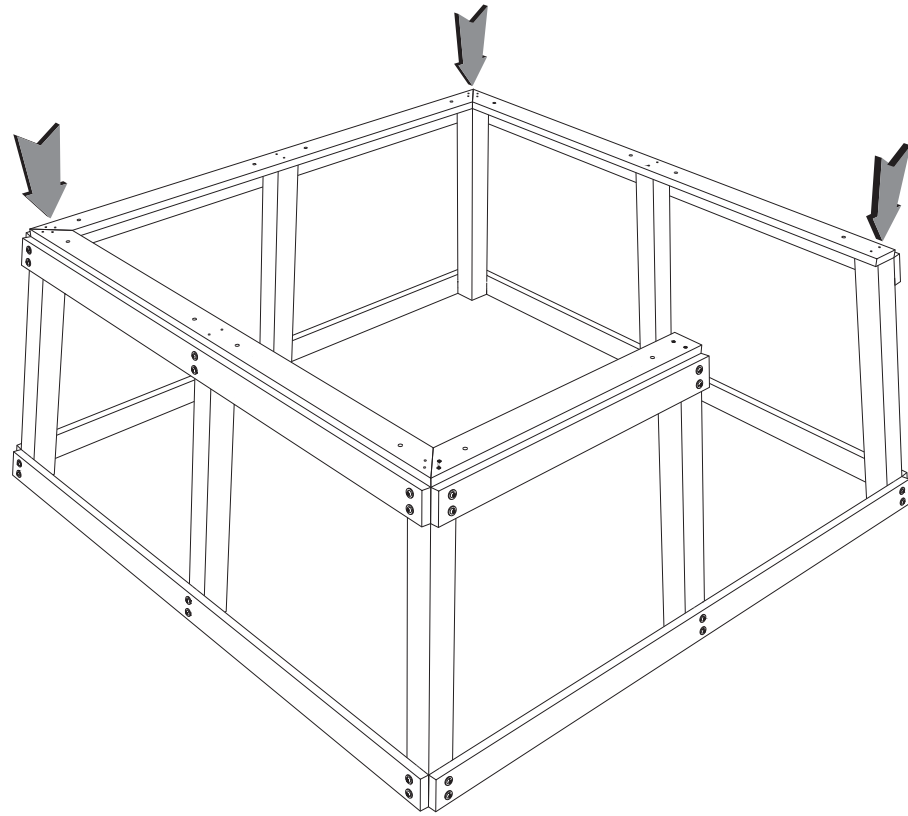
### Step 86:

Align (1) Connect Board (F13) to Tower Leg (C10) and attach using (4) Screws (SW60).  
Note: The next Boards will not align correctly if this Connect Board is not flush.



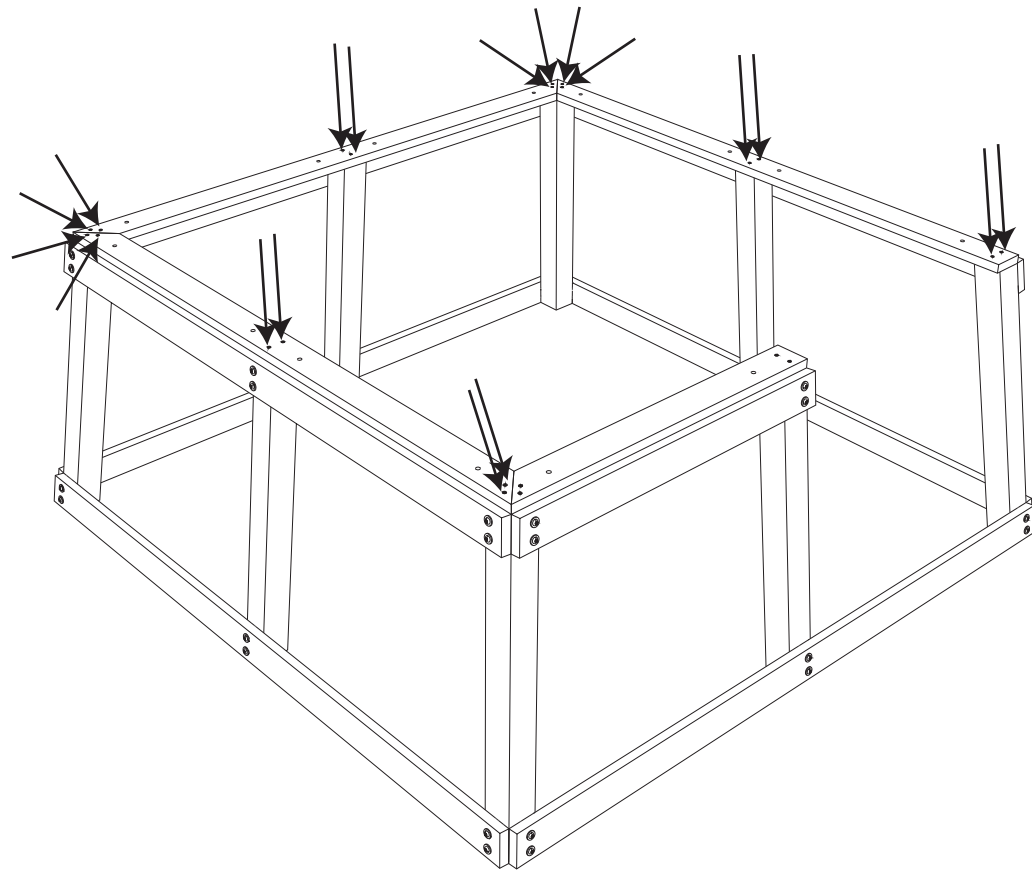
### Step 87:

Align (2) Connect Boards (F11) and (1) Connect Board (F12) with the Roof Assembly before attaching. The angled edges and corners must be flush.



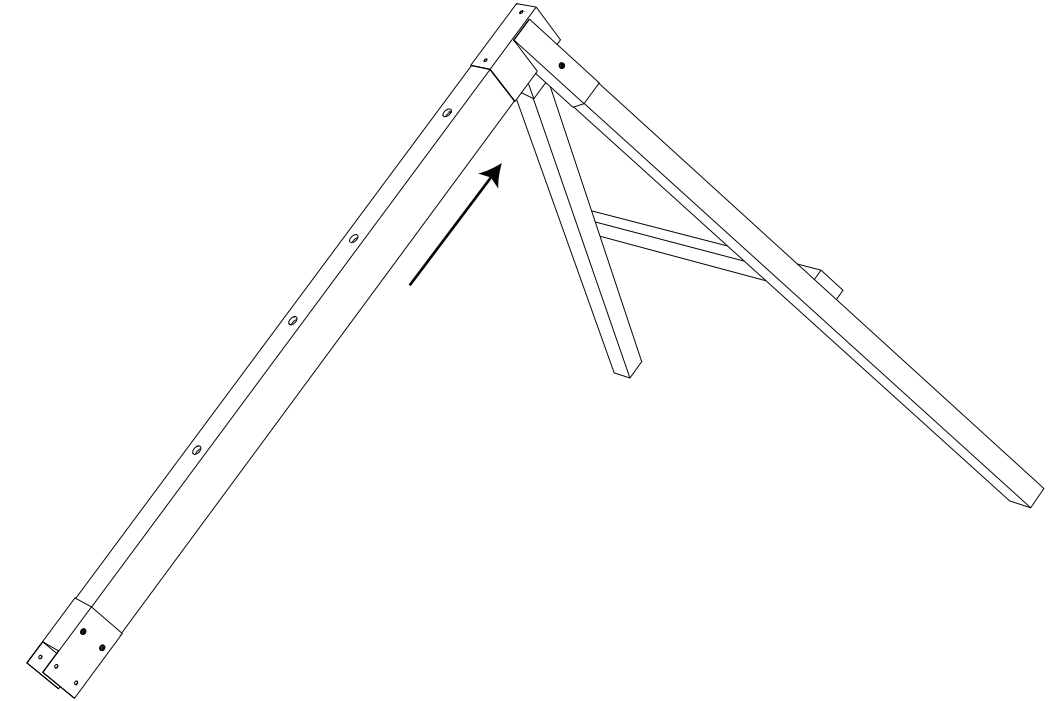
### Step 88:

Attach the Connect Boards to the Roof Assembly using (18) Screws (SW60).



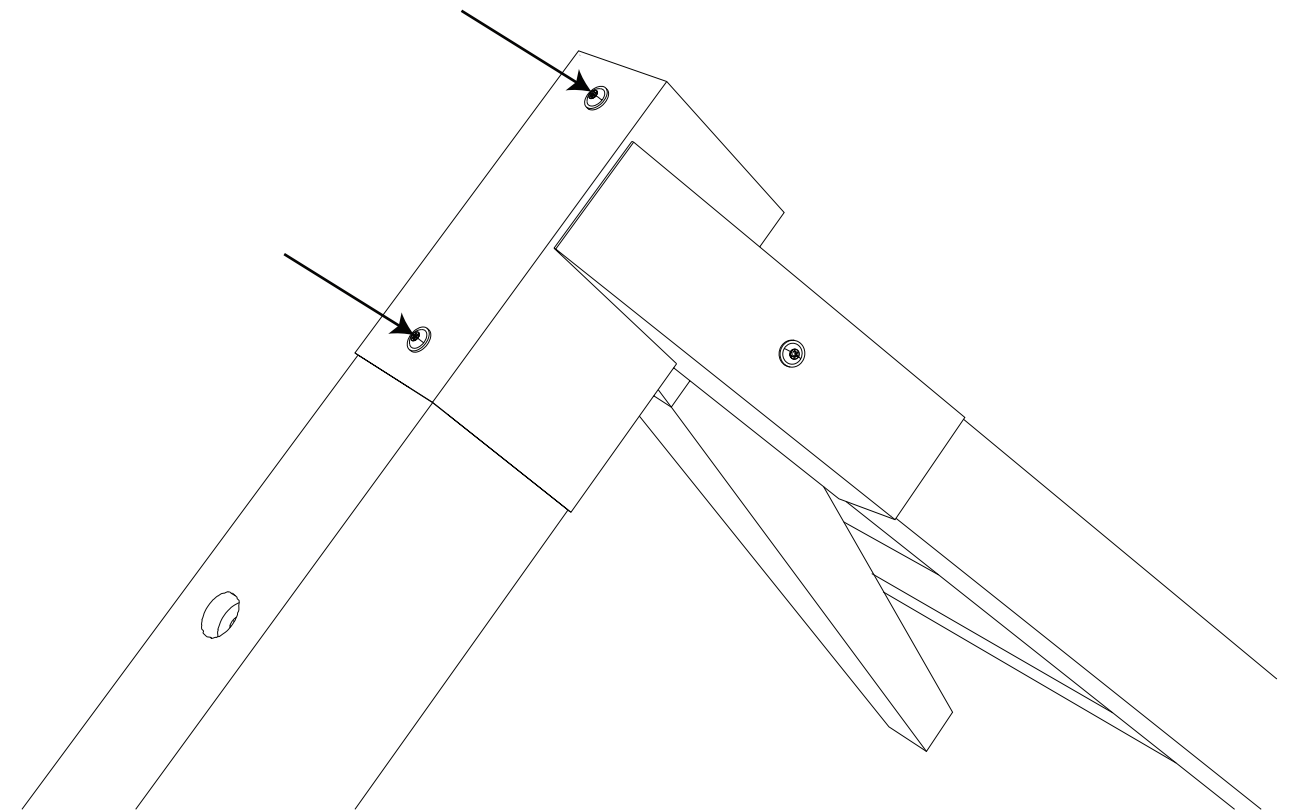
### Step 121:

Lift the A-Frame onto the Swing Beam. Raise the A-Frame and insert the Swing Beam into the Y-Bracket. Ensure the side of the Swing Beam with the larger holes is facing up.



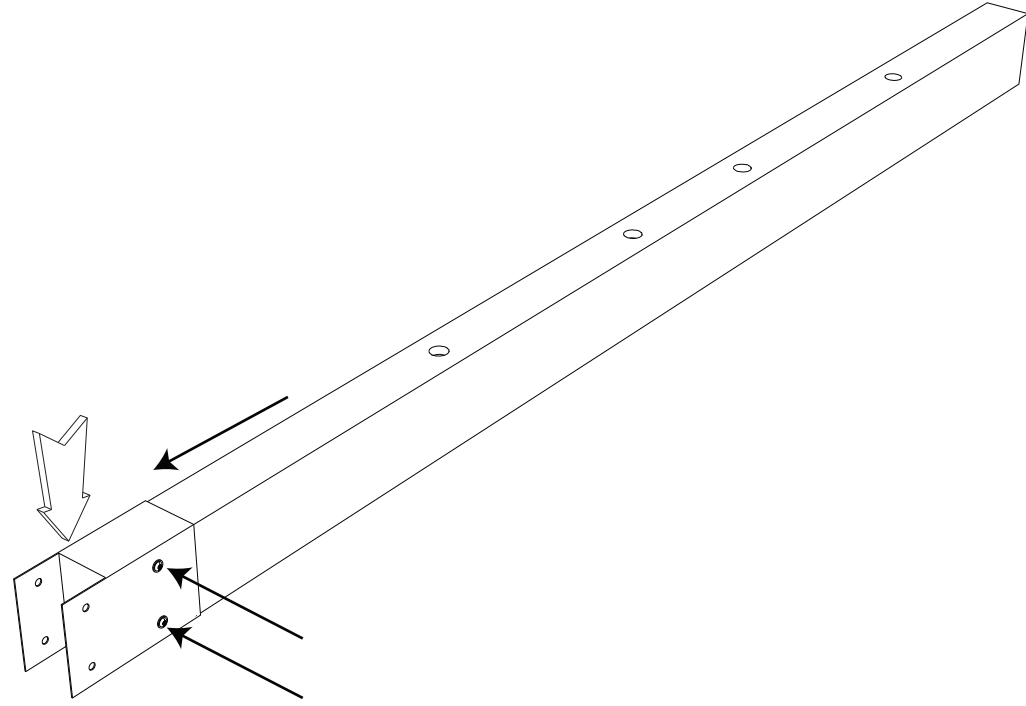
### Step 122:

Attach the Y-Bracket to the Swing Beam using (2) Screws (M6SW35).



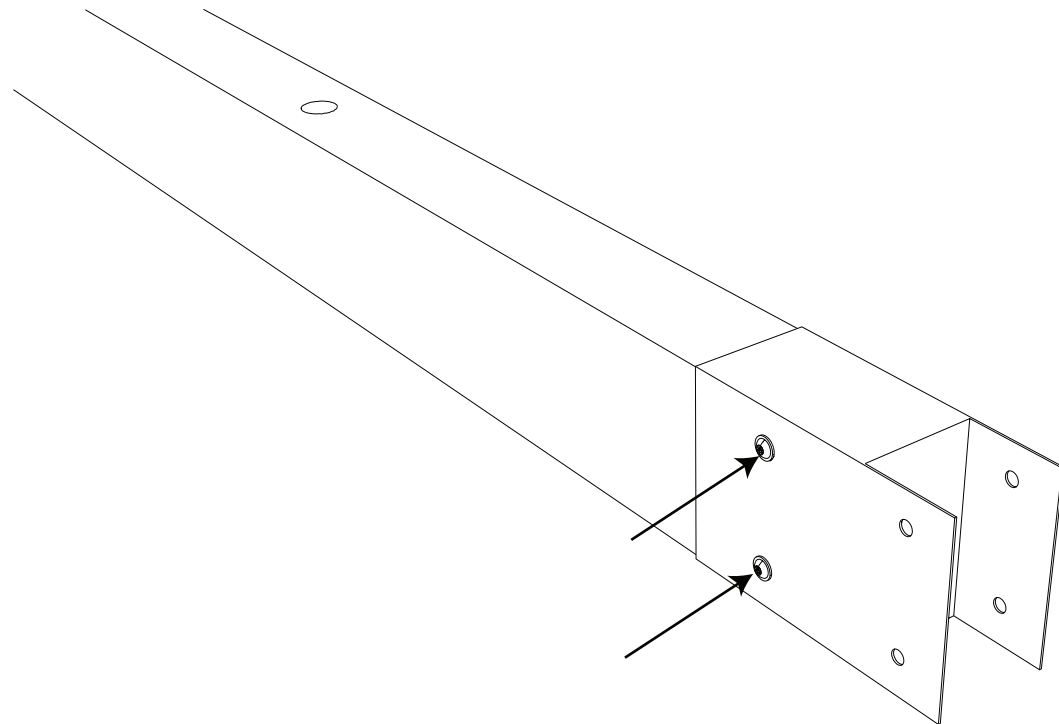
### Step 119:

Insert the Swing Beam (B04) all the way into (1) I-Bracket until the Swing Beam is flush with the end of the I-Bracket. Attach the I-Bracket to the Swing Beam using (2) Screws (M6SW35). Ensure the side of the Swing Beam with the larger holes is facing up.



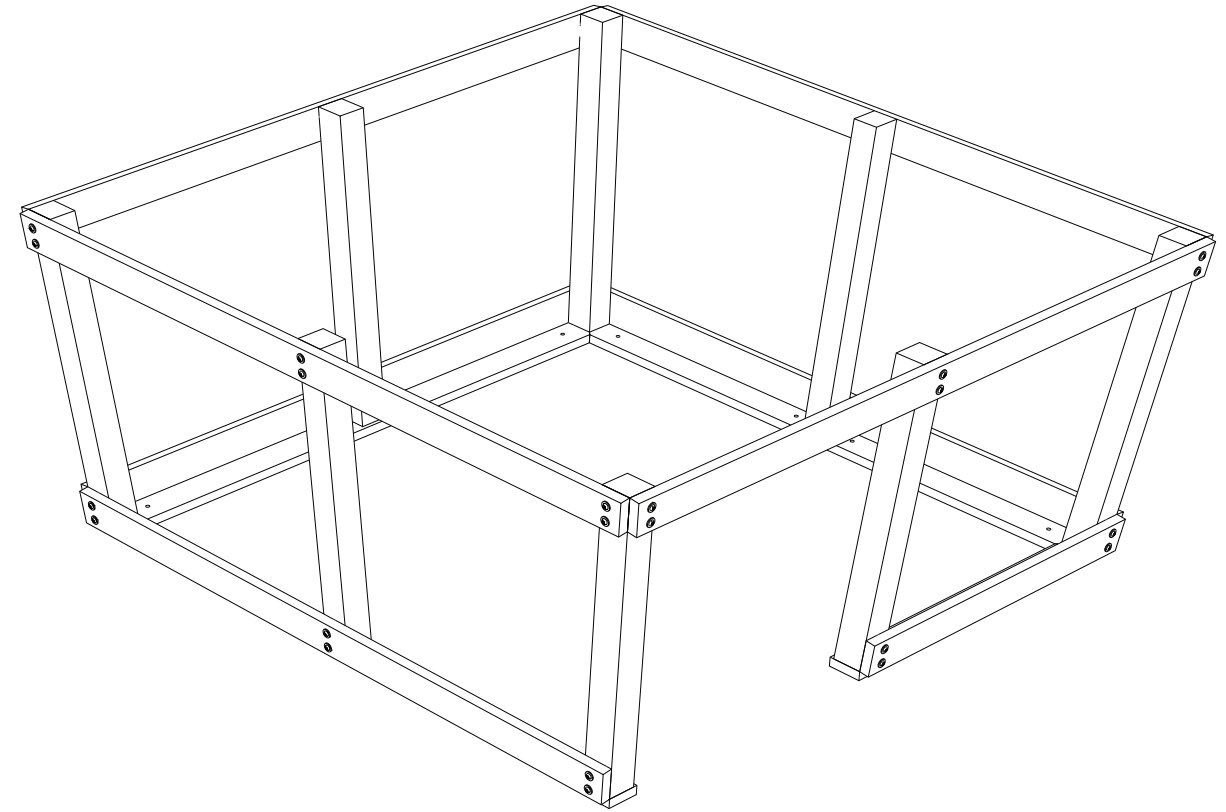
### Step 120:

Attach the I-Bracket to the Swing Beam using (2) Screws (M6SW35).



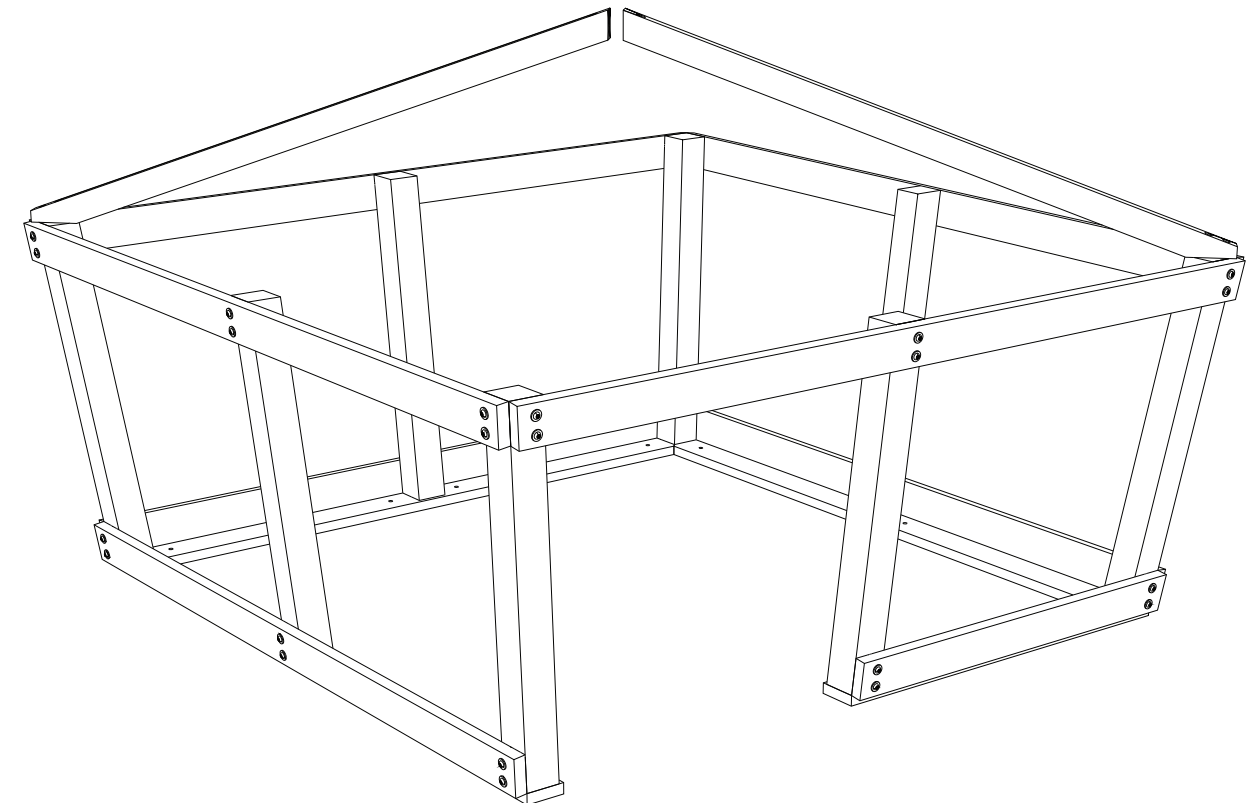
### Step 89:

Turn the Roof Assembly over.



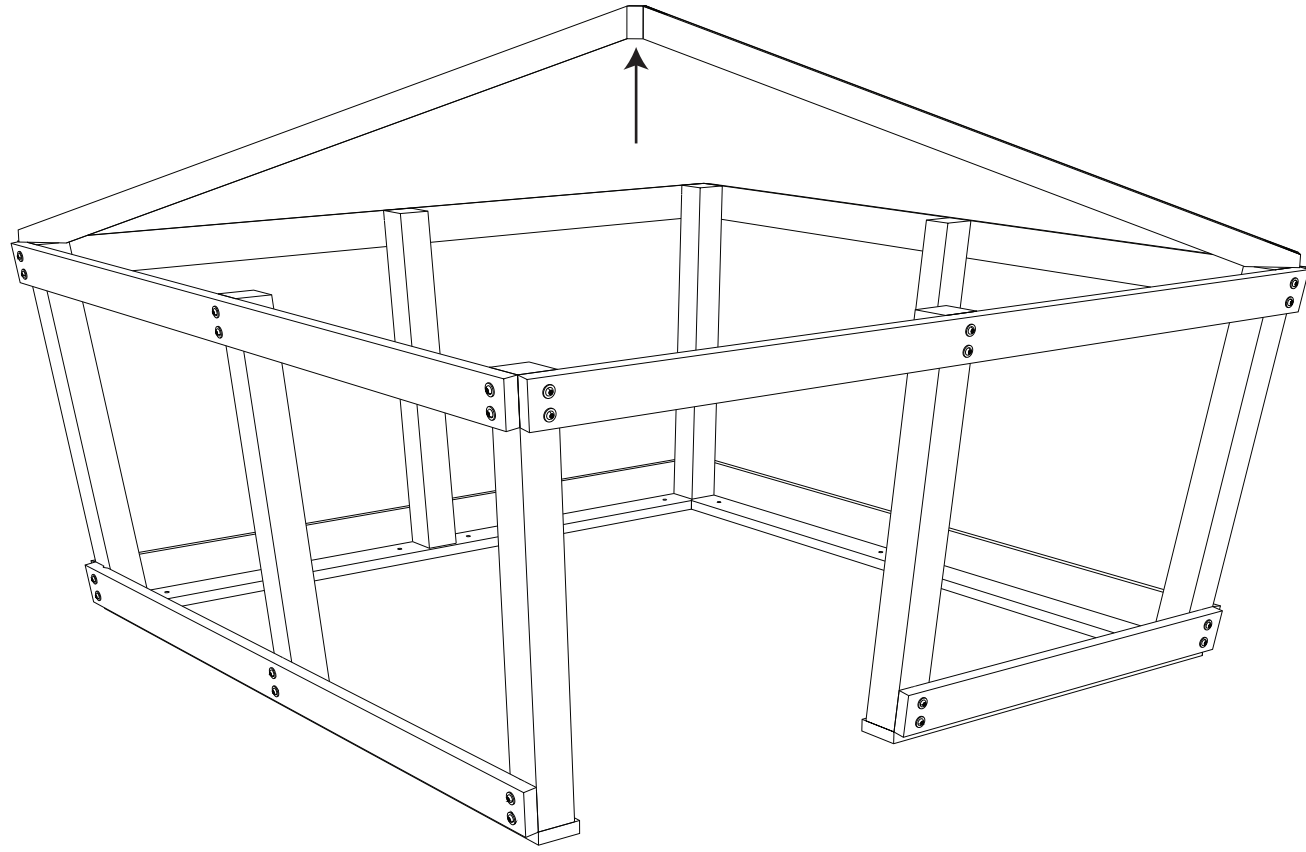
### Step 90:

With the help of another adult, align (2) Roof Rafters (KA12) over Tower Legs (C09) as shown. One person must stand in the middle holding the Roof Rafters together while the other secures the Rafters.



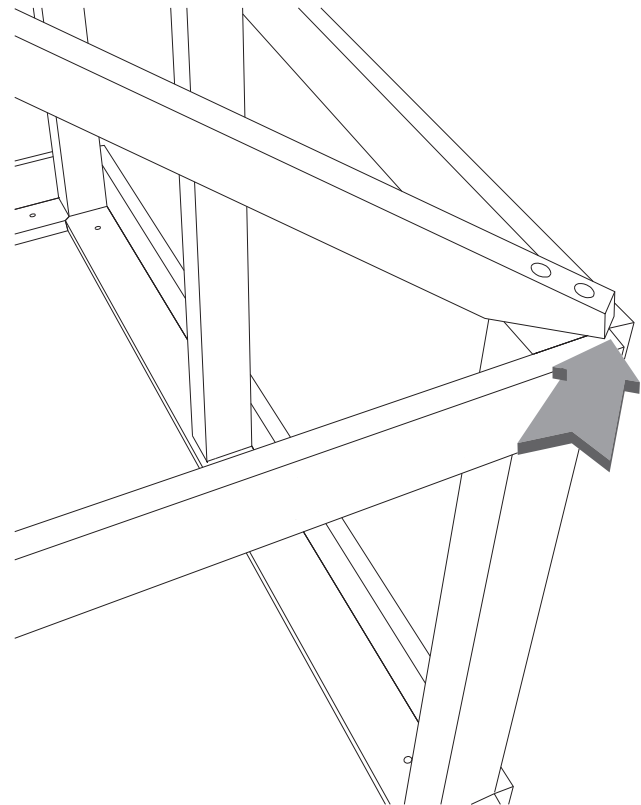
### Step 91:

Place (1) Roof Rafter Brace (KA09) between the Roof Rafters.



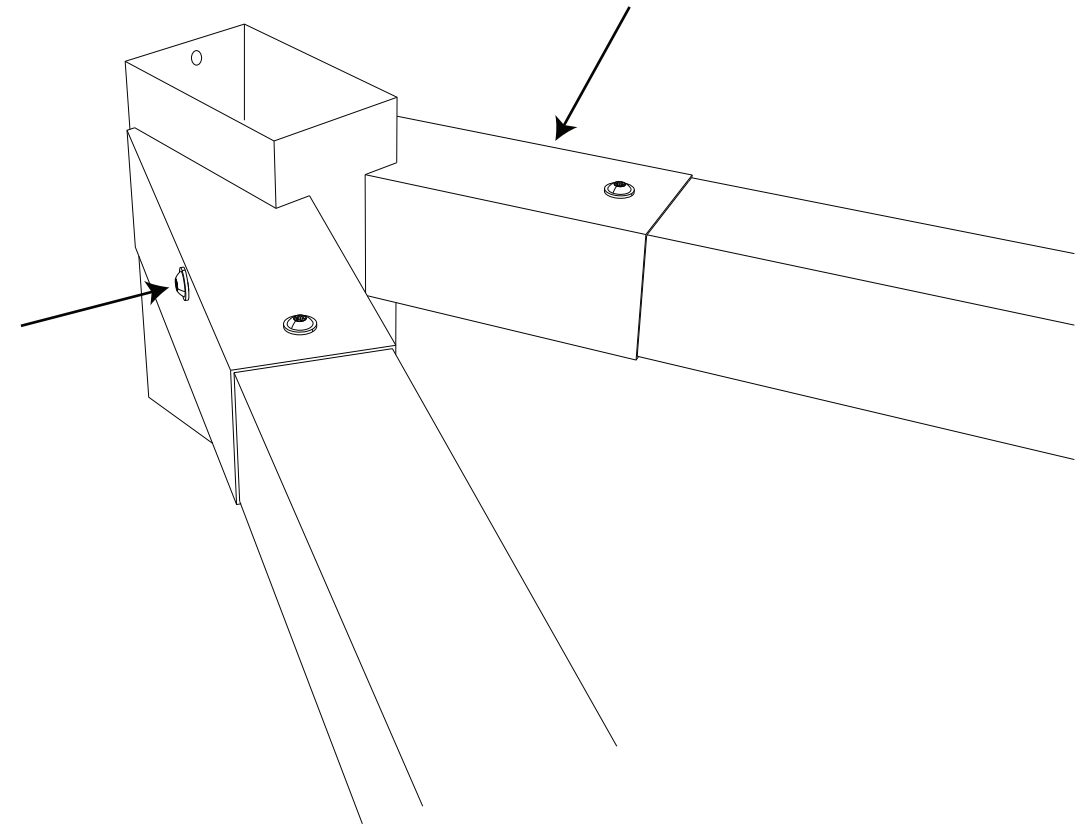
### Step 92:

The two predrilled holes of the Roof Rafter need to be centered diagonally across the top of Tower Leg (C09) before attaching.



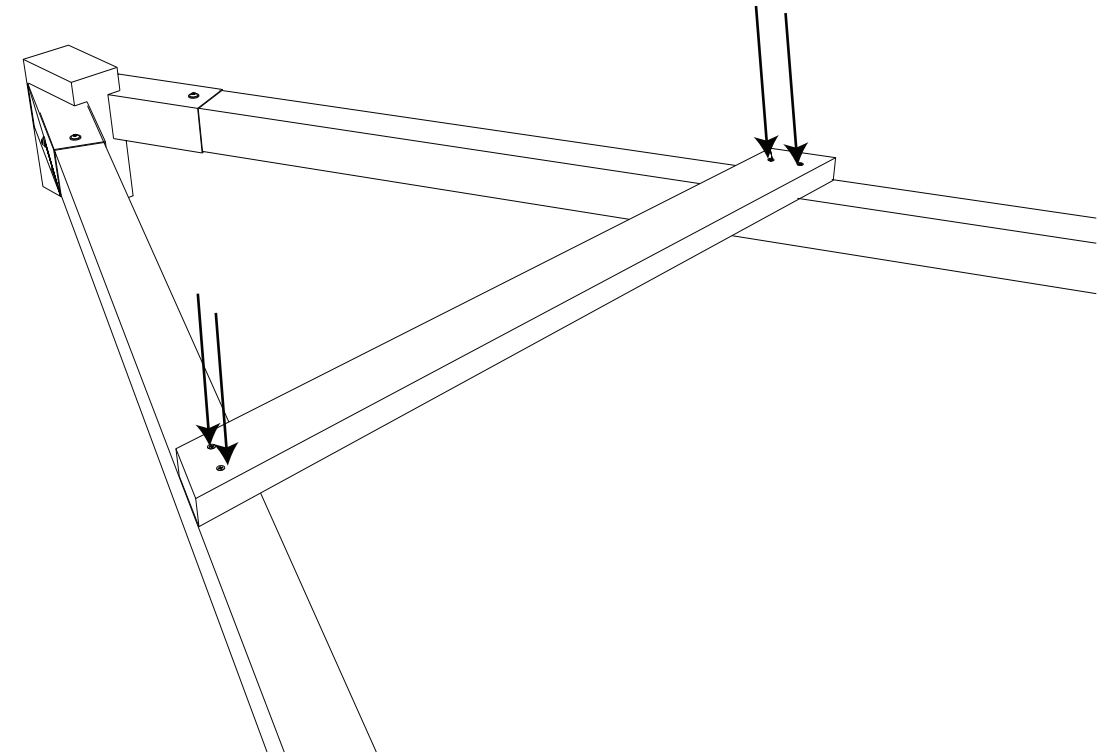
### Step 117:

Attach the Y-Bracket to the Beam Support Braces using (2) Screws (M6SW35).



### Step 118:

Attach (1) End Support (F30) to the Beam Support Braces using (4) Screws (SW60). Ensure the End Support is flush with the outside edges of the Braces.

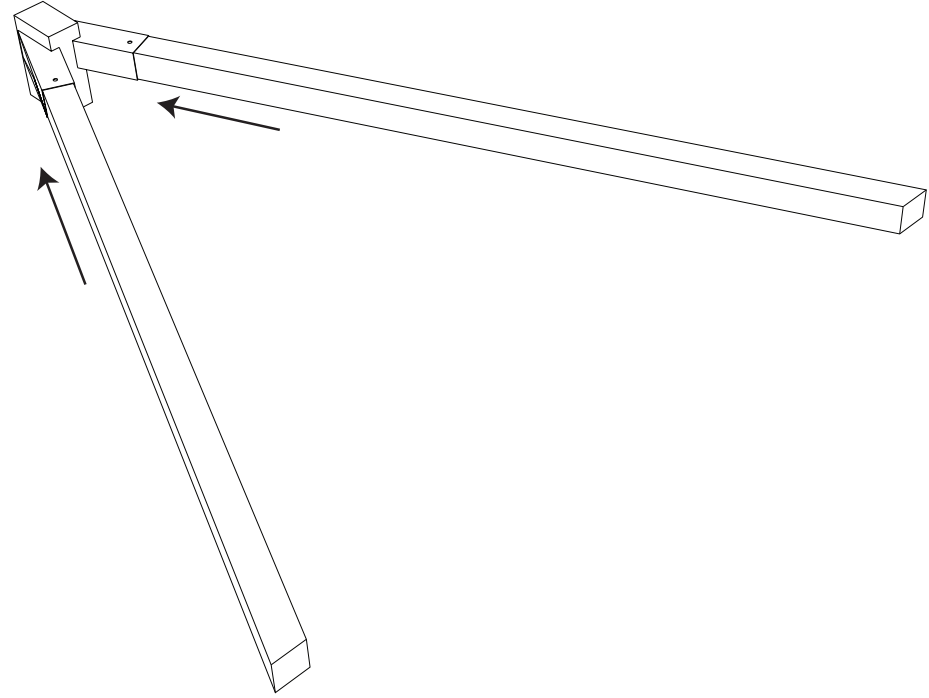




### Step 115:

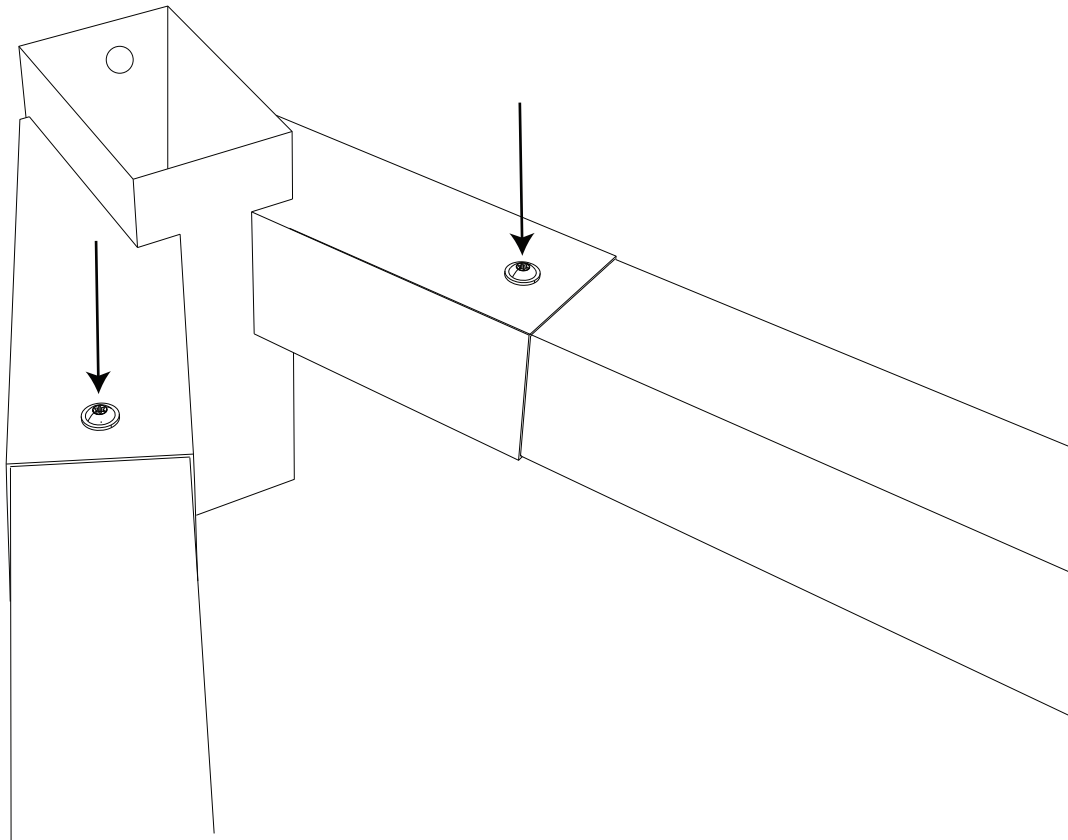
Insert (2) Beam Support Braces (C20) into (1) Y-Bracket (DRB-01). Insert the straight edge into the Bracket. Note the orientation of the angled edges. Measure the Braces to confirm the length is the same on both sides. You may need a Rubber Mallet.

Note: Inspect the Y-Bracket for damage that may have occurred during shipping. It may be necessary to straighten out the edges of the square openings. This will not change the effectiveness of the product.



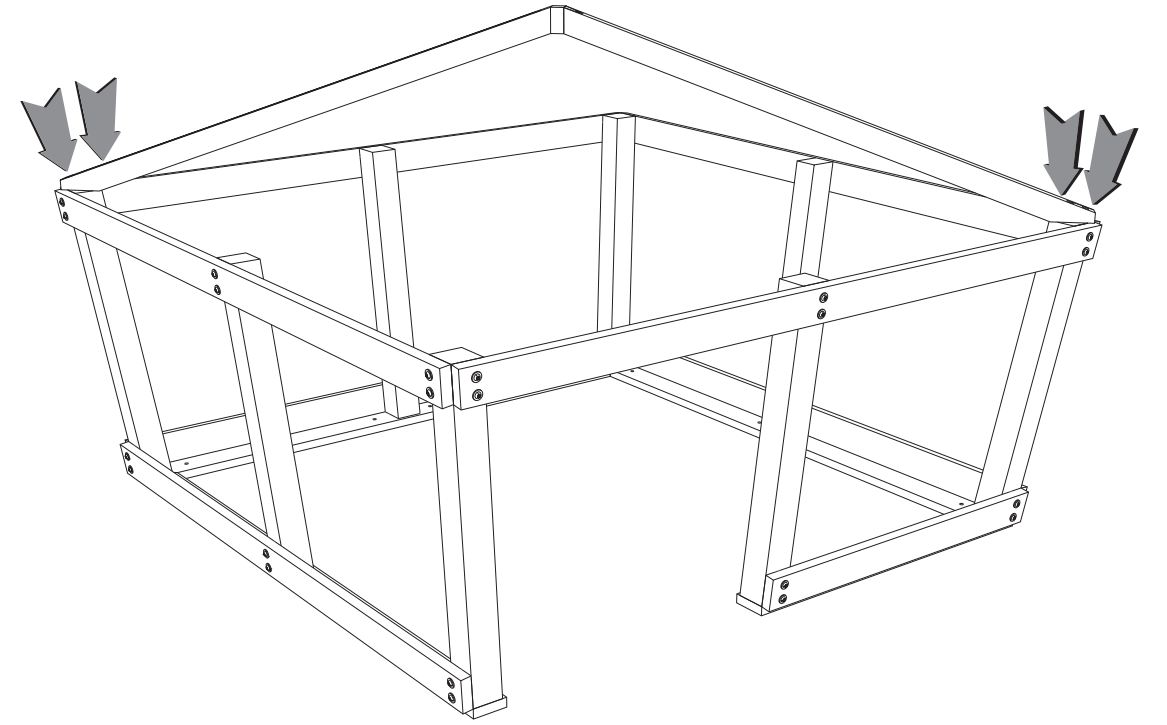
### Step 116:

Attach the Y-Bracket to the Beam Support Braces using (2) Screws (M6SW35).



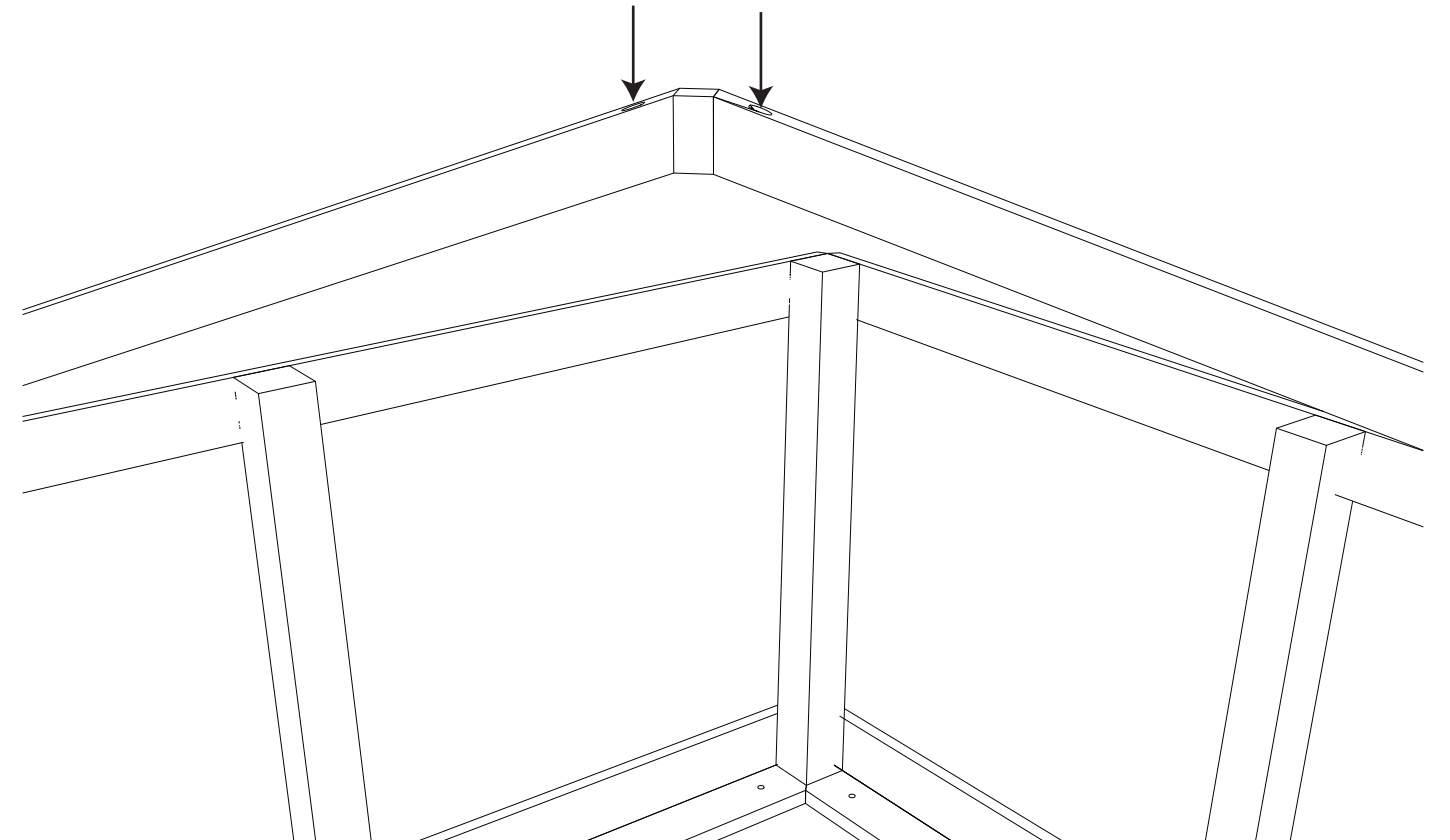
### Step 93:

Attach the Roof Rafters to the Tower Legs using (4) Screws (SW60).



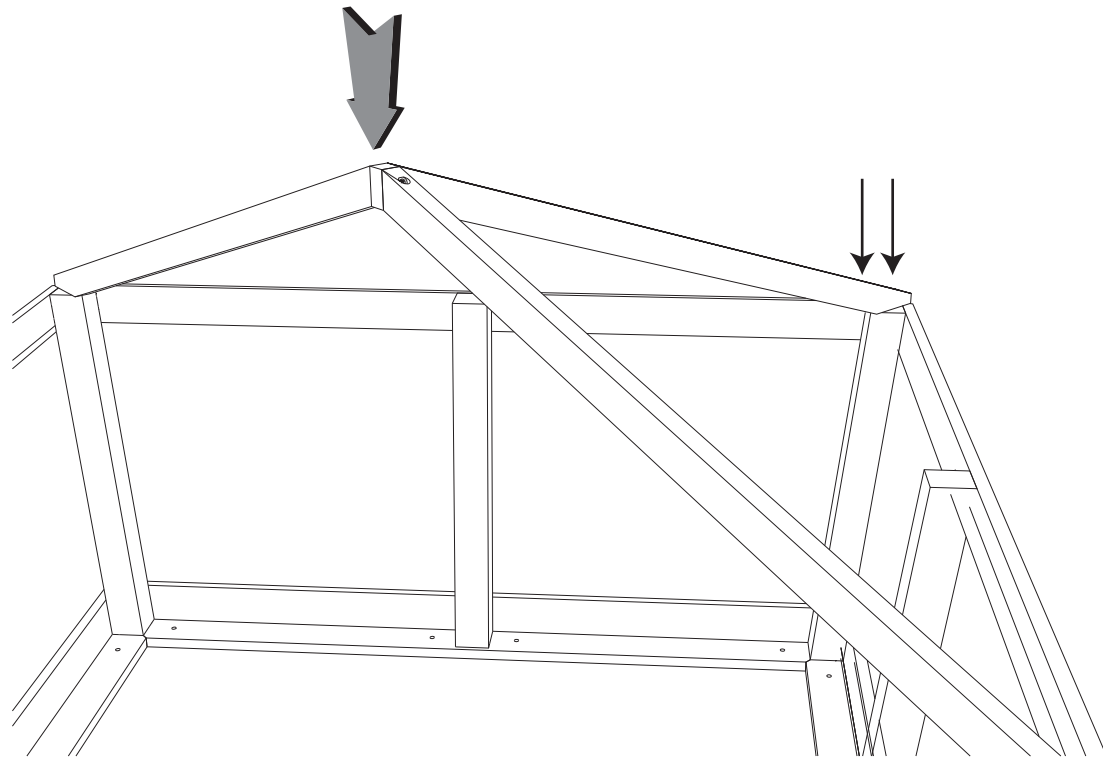
### Step 94:

Make sure everything is aligned before attaching the Roof Rafters to the Roof Rafter Brace. Attach using (2) Screws (SW60).



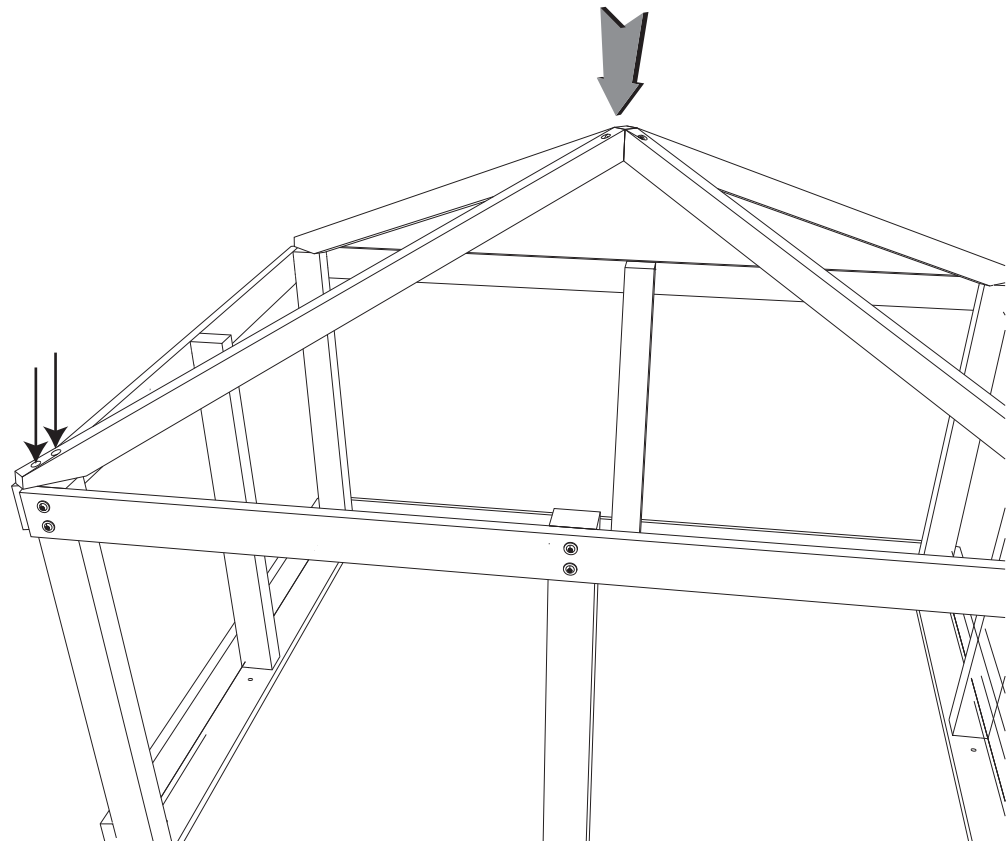
### Step 95:

Line up (1) Roof Rafter (KA12) with the Roof Rafter Brace and Tower Leg (C09). Attach using (2) Screws (SW60).



### Step 96:

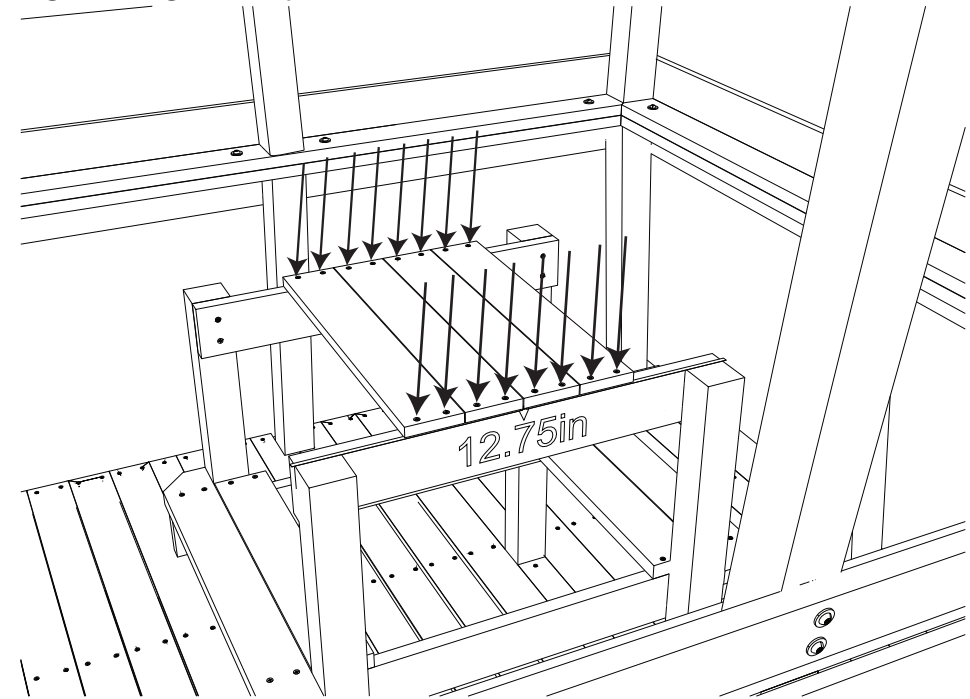
Line up (1) Roof Rafter (KA12) with the Roof Rafter Brace and Tower Leg (C09). Attach using (2) Screws (SW60).



### Step 113:

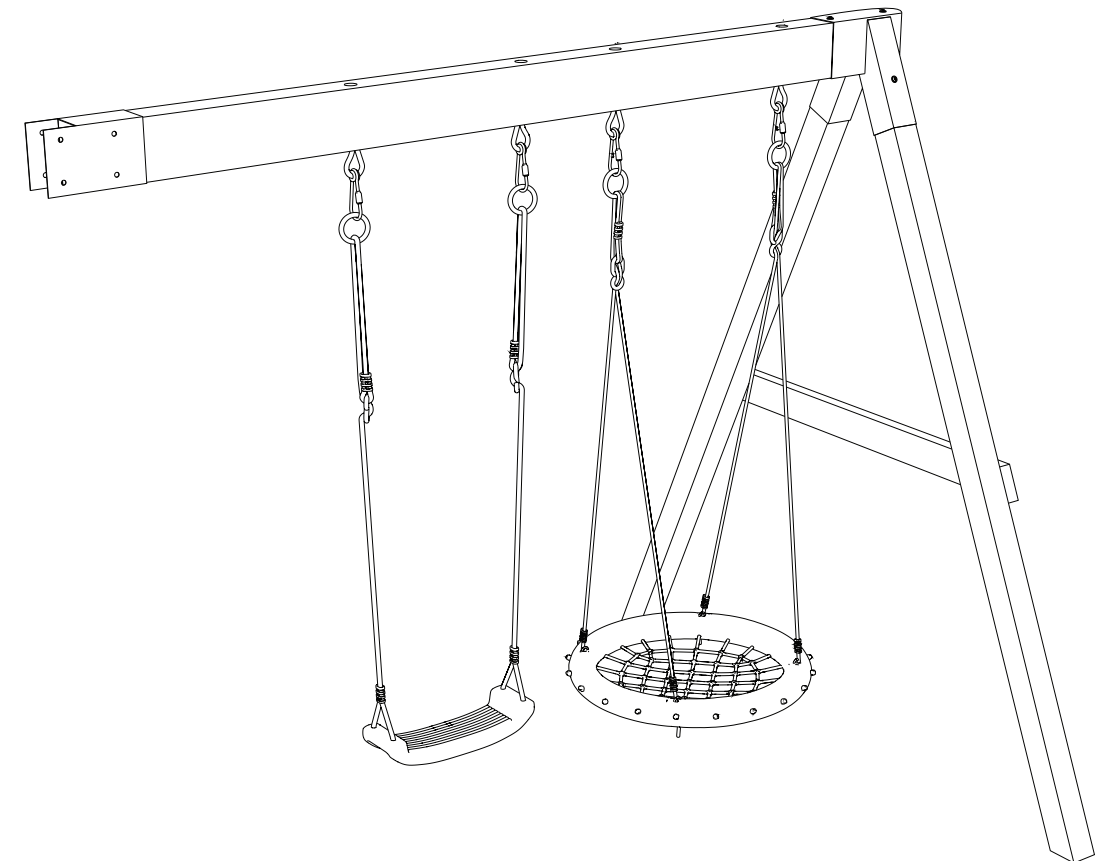
Measure and mark the center of Table Support (F01). It will be approximately 12.75in from each end. Align (2) Table Top Boards (W05) with centerline and attach using (8) Screws (SW35). Attach the remaining (2) Table Top Boards (W05) using (8) Screws (SW35).

▲ **WARNING:** Table Top Boards should be positioned with their edges butted together. Any spacing up to 0.5in increases the danger of finger entrapment.



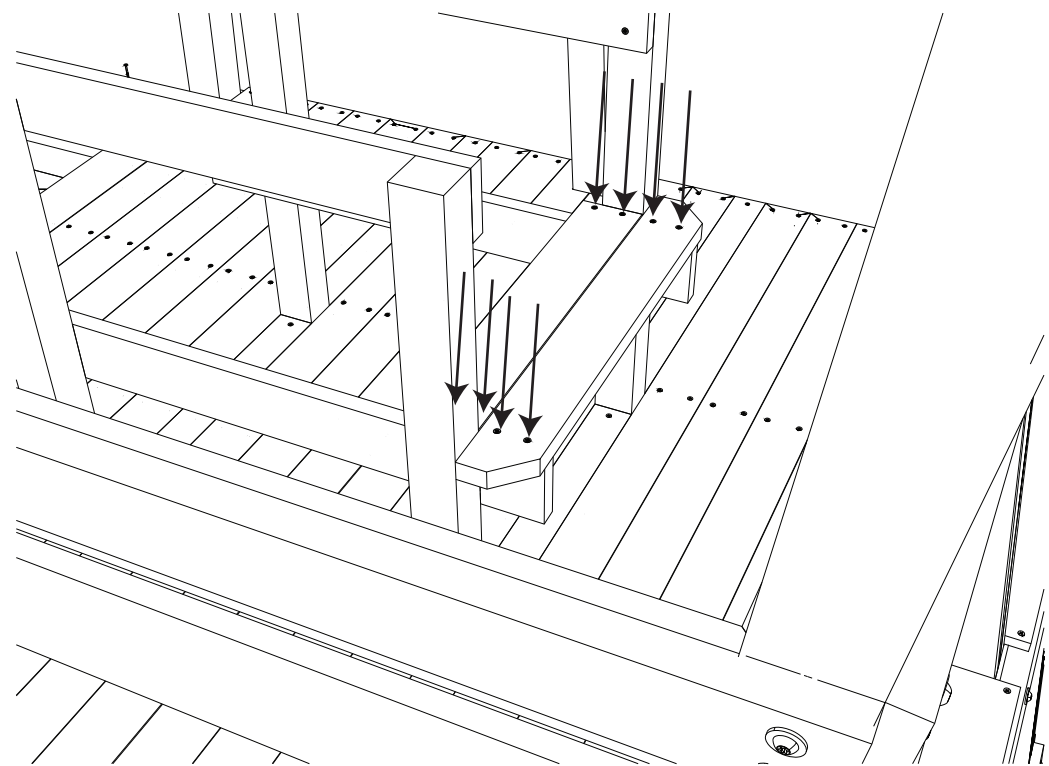
### Step 114:

The following steps will guide you through the Swing Beam Assembly.



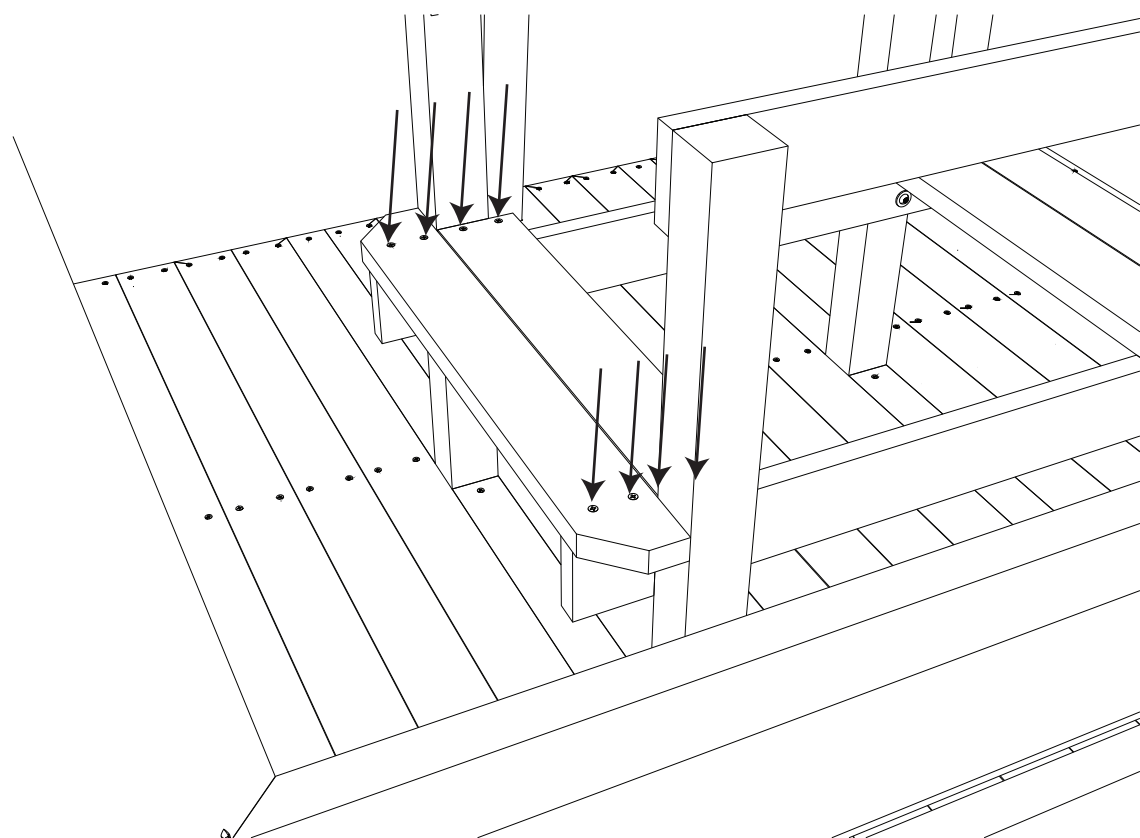
### Step 111:

Attach (1) Bench Top Board (F02) and (1) Bench Top Board (F08) to Bench Supports (F03) using (8) Screws (SW50).



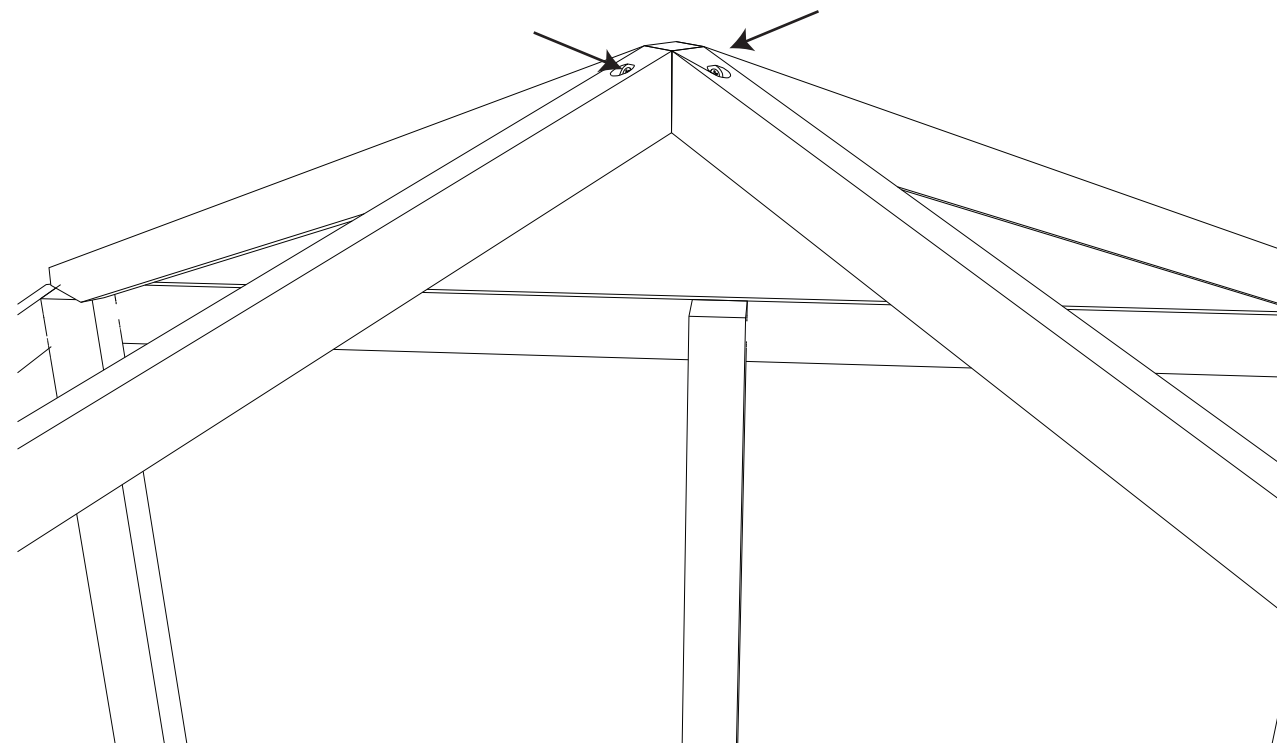
### Step 112:

Attach (1) Bench Top Board (F02) and (1) Bench Top Board (F08) to Bench Supports (F03) using (8) Screws (SW50).



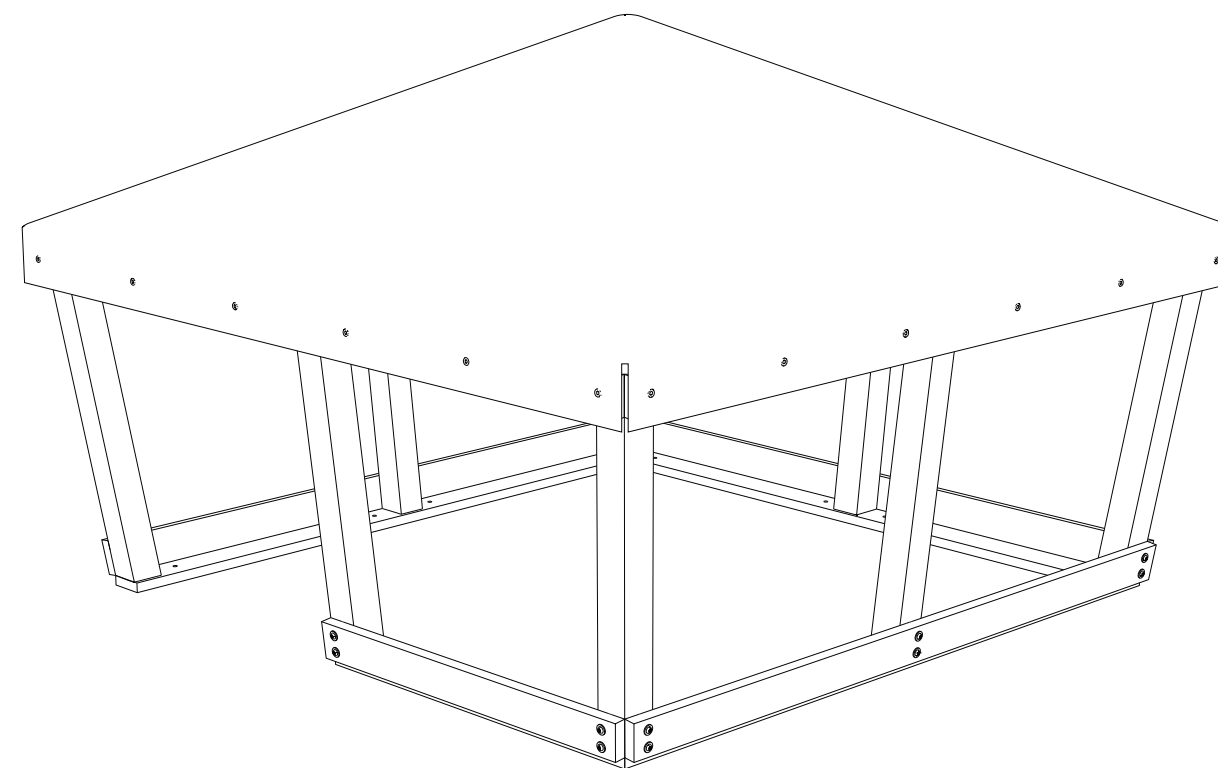
### Step 97:

Attach the Roof Rafters to the Roof Rafter Brace using (2) Screws (SW60).



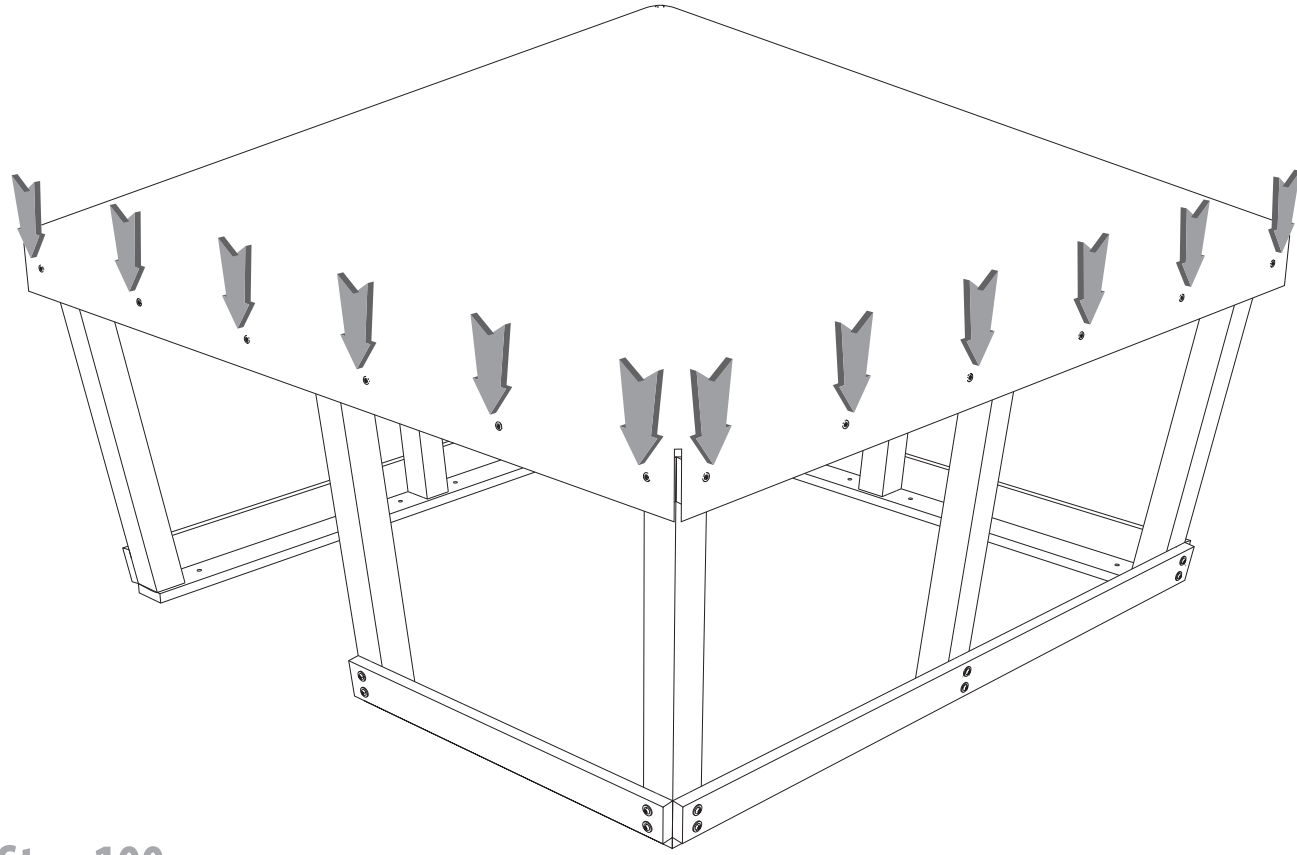
### Step 98:

Place (1) Tarp over the Roof Assembly. Make sure to line up the corners of the Tarp with the Tower Legs (C09).



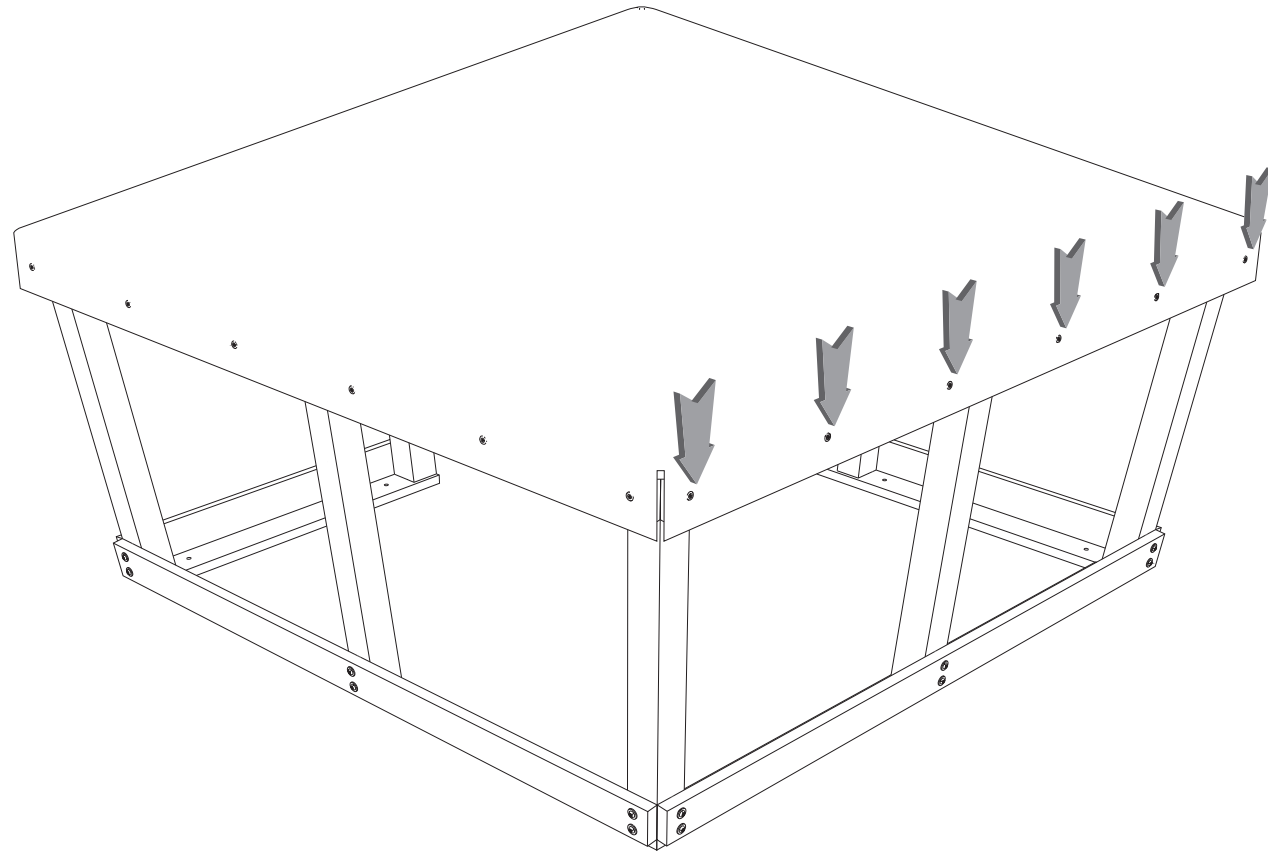
### Step 99:

Attach the Tarp to the Roof Assembly using (12) Screws (SW16).



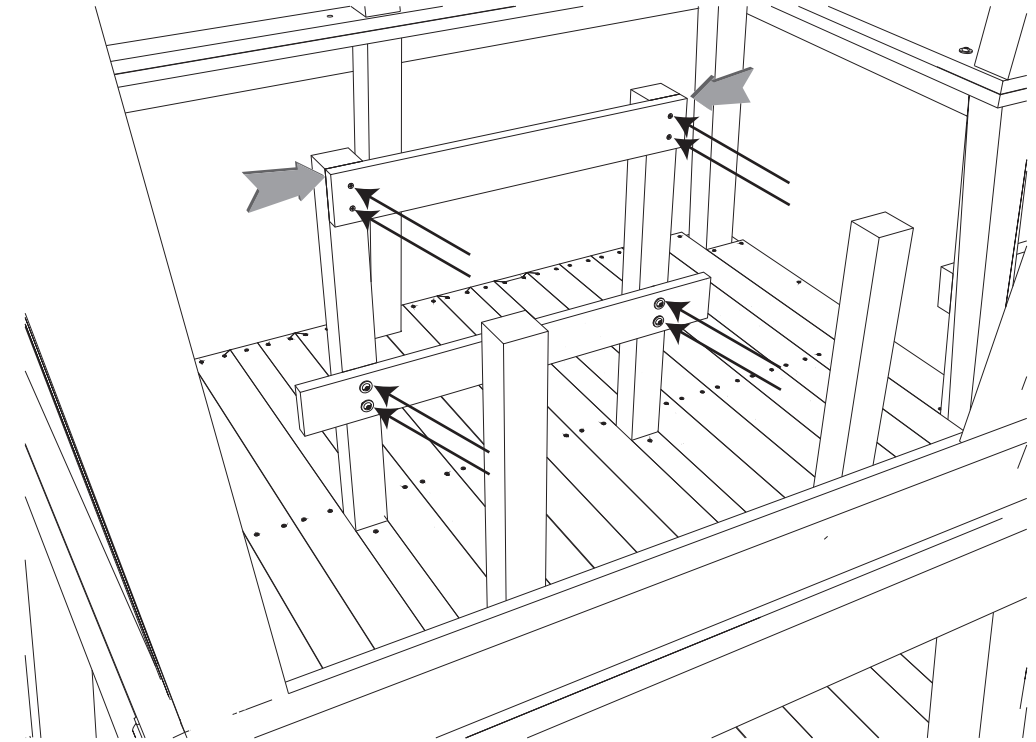
### Step 100:

Attach the Tarp to the Roof Assembly using (6) Screws (SW16).



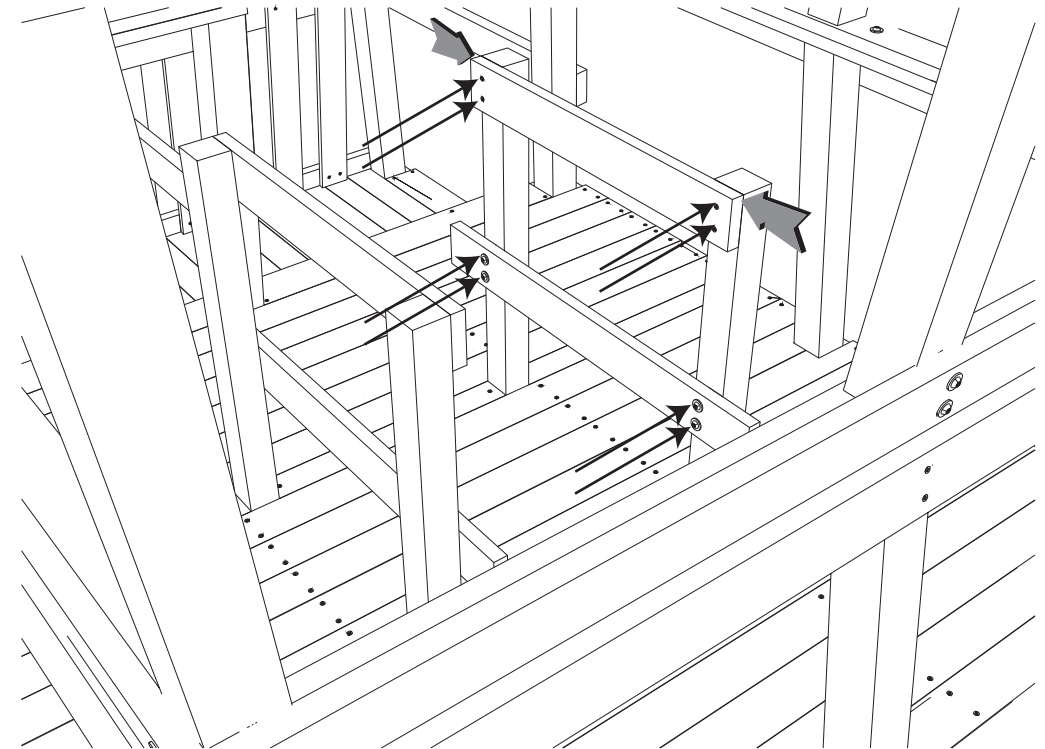
### Step 109:

Attach (1) Bench Support (F03) to Tower Legs (CA10) using (4) Screws (M8SW50). Attach (1) Table Support (F01) to Tower Legs (CA10) using (4) Screws (SW60). Ensure the edges of the Table Support are flush with the Tower Legs.



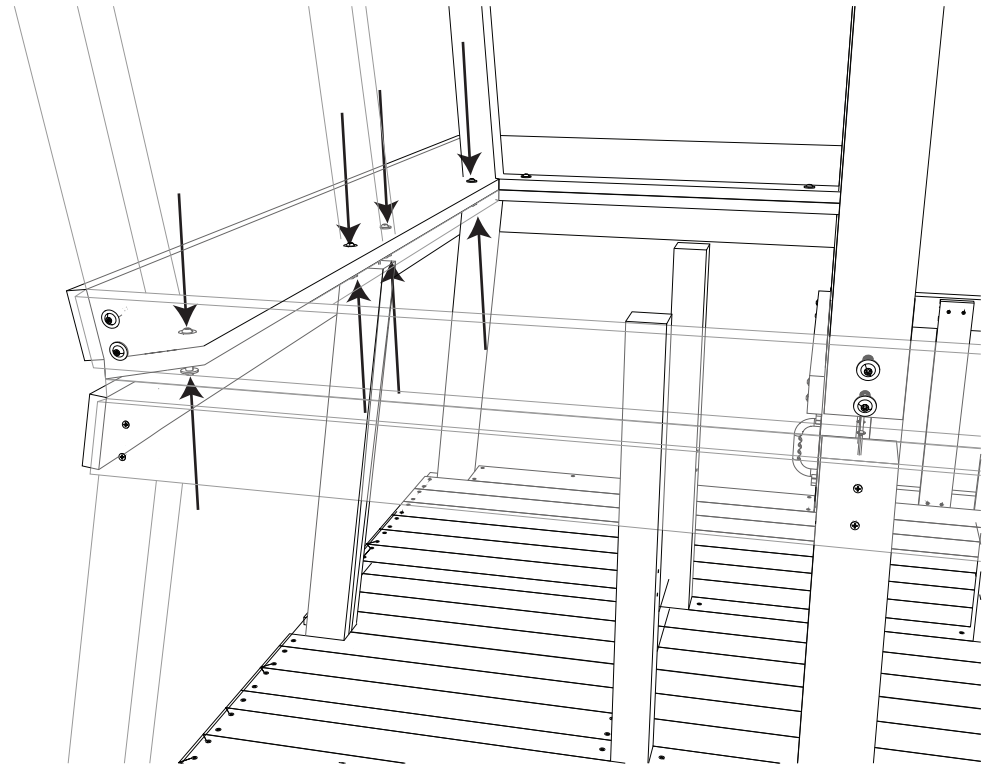
### Step 110:

Attach (1) Bench Support (F03) to Tower Legs (CA10) using (4) Screws (M8SW50). Attach (1) Table Support (F01) to Tower Legs (CA10) using (4) Screws (SW60). Ensure the edges of the Table Support are flush with the Tower Legs.



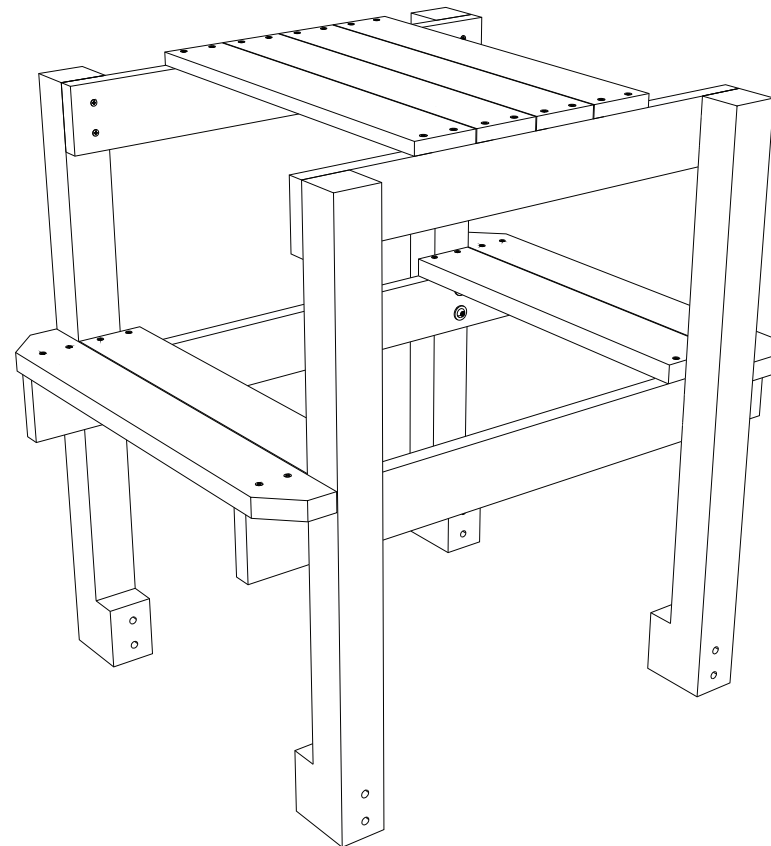
### Step 107:

Attach Connect Board (F11) to Connect Board (F11) on the main structure using (4) Nuts (BM825) and (4) Bolts (M833).



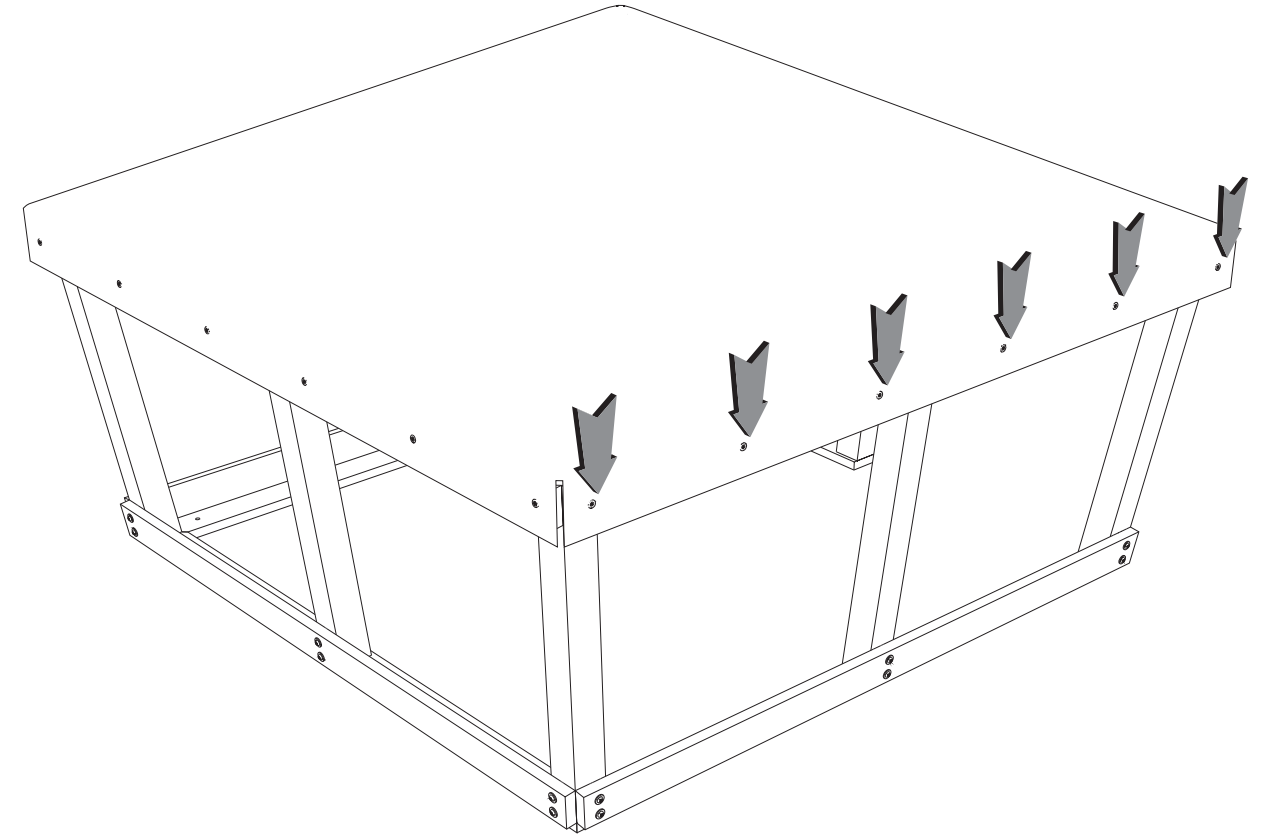
### Step 108:

The following steps will guide you through the Picnic Table Assembly.



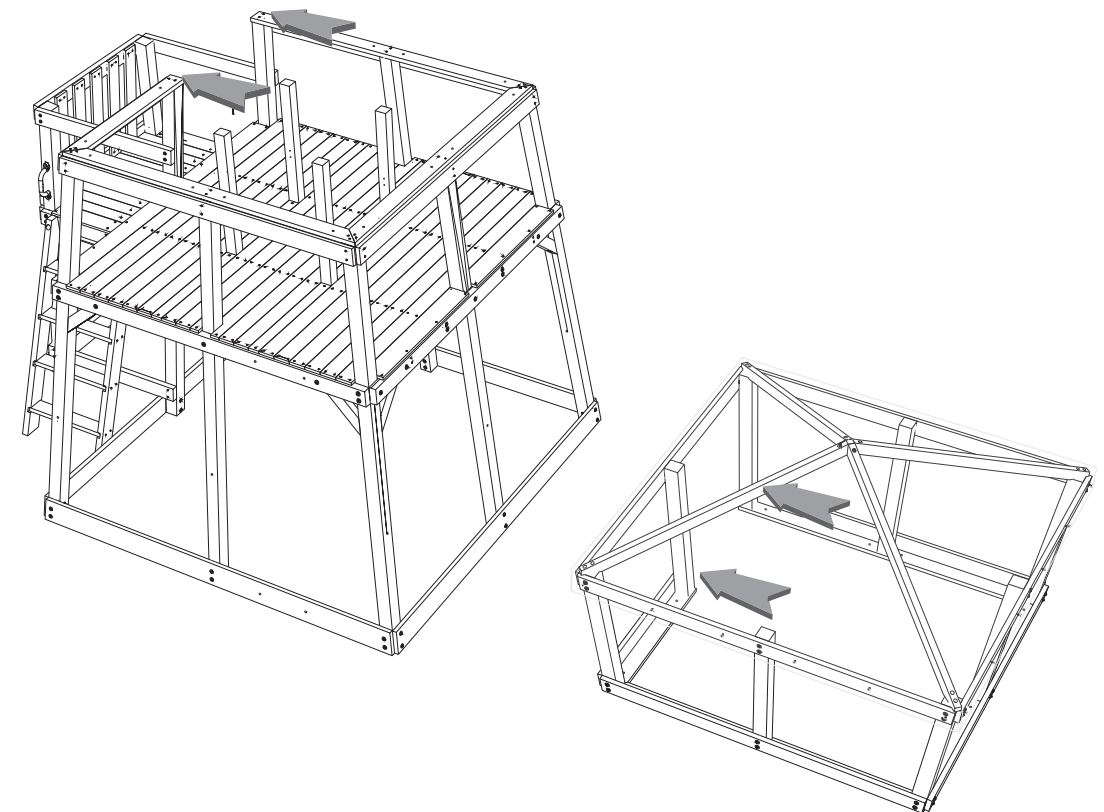
### Step 101:

Attach the Tarp to the Roof Assembly using (6) Screws (SW16).



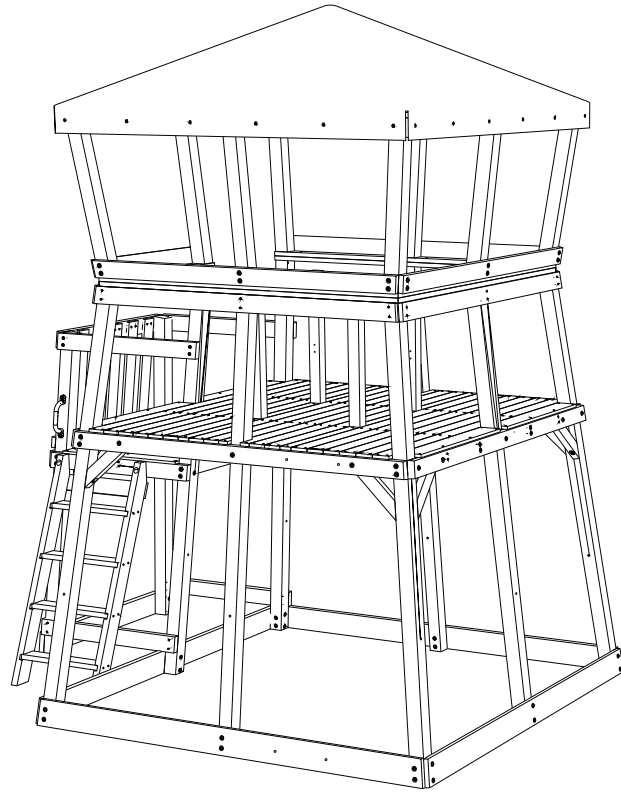
### Step 102:

Align the Connect Boards (F11), (F12), and (F13) on the Roof Assembly with the same Connect Boards on the main structure.



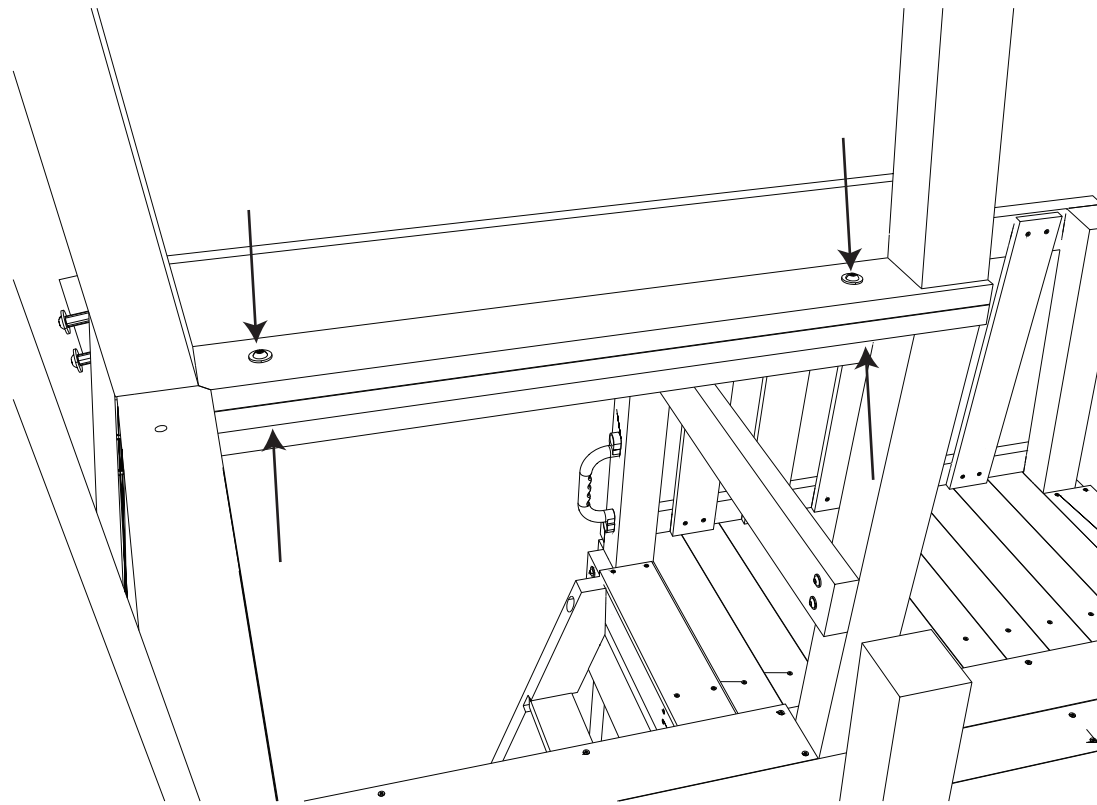
### Step 103:

Using two other adults, carefully place the Roof Assembly on top of the main structure.



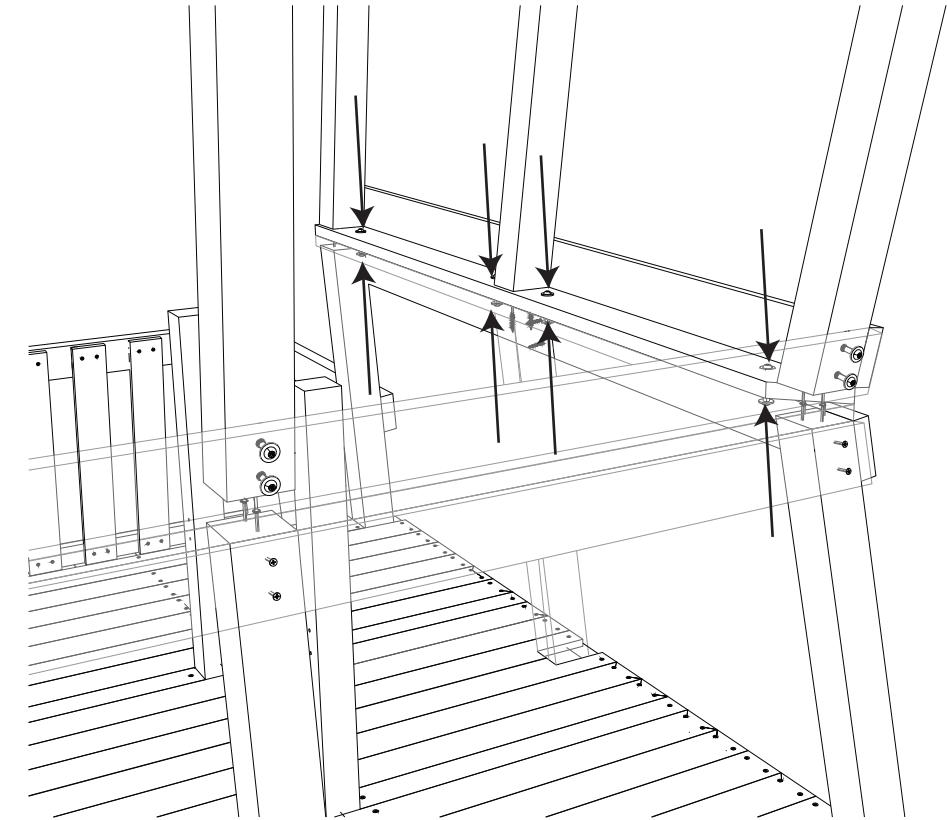
### Step 104:

Attach Connect Board (F13) to Connect Board (F13) on the main structure using (2) Nuts (BM825) and (2) Bolts (M833).



### Step 105:

Attach Connect Board (F12) to Connect Board (F12) on the main structure using (4) Nuts (BM825) and (4) Bolts (M833).



### Step 106:

Attach Connect Board (F11) to Connect Board (F11) on the main structure using (4) Nuts (BM825) and (4) Bolts (M833).

